



**LU9915**

**Digital Projector**  
Installation Guide

V1.02

4J.JHG01.001

## Table of Contents

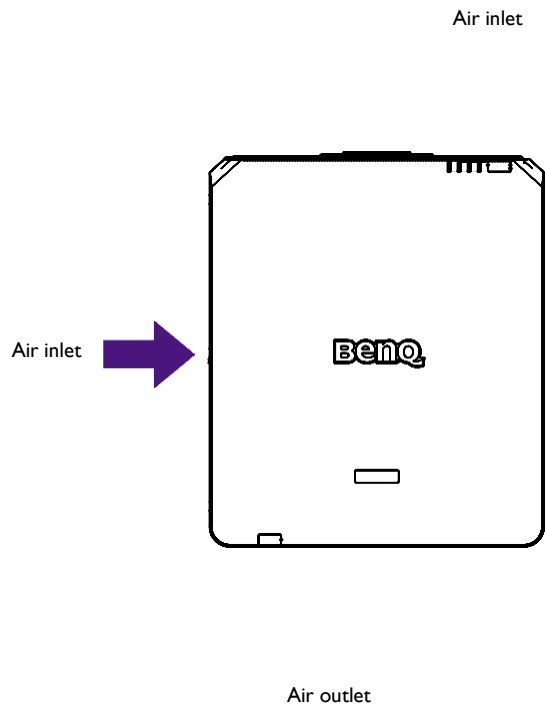
<b>Notice .....</b>	<b>3</b>
<b>Ventilation illustration .....</b>	<b>3</b>
<b>Exhaust vent requirements .....</b>	<b>3</b>
<b>Voltage switcher .....</b>	<b>4</b>
<b>Caution during installation .....</b>	<b>4</b>
<b>Product information .....</b>	<b>5</b>
<b>Packing contents.....</b>	<b>5</b>
<b>Projector specifications .....</b>	<b>5</b>
<b>Terminals .....</b>	<b>6</b>
<b>Remote control.....</b>	<b>7</b>
<b>Remote control ID setting .....</b>	<b>7</b>
<b>Installation .....</b>	<b>8</b>
<b>Lens specifications .....</b>	<b>8</b>
<b>Projection table .....</b>	<b>9</b>
<b>Lens shift .....</b>	<b>11</b>
<b>Installation positioning .....</b>	<b>12</b>
<b>Dimensions .....</b>	<b>13</b>
<b>Cabinet dimensions.....</b>	<b>13</b>
<b>Ceiling mount hole dimensions.....</b>	<b>13</b>
<b>Ceiling mount dimensions (CMG6).....</b>	<b>14</b>
<b>Optional lens dimensions .....</b>	<b>15</b>
<b>LED indication .....</b>	<b>16</b>

Please visit below website for latest version of User Manual / Installation Guide.

<http://business-display.benq.com/>

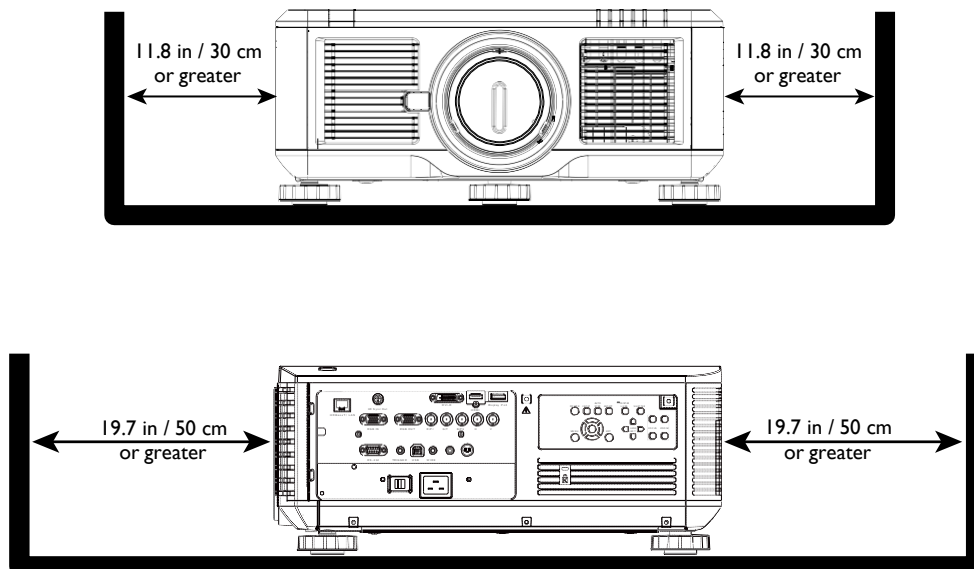
# Notice

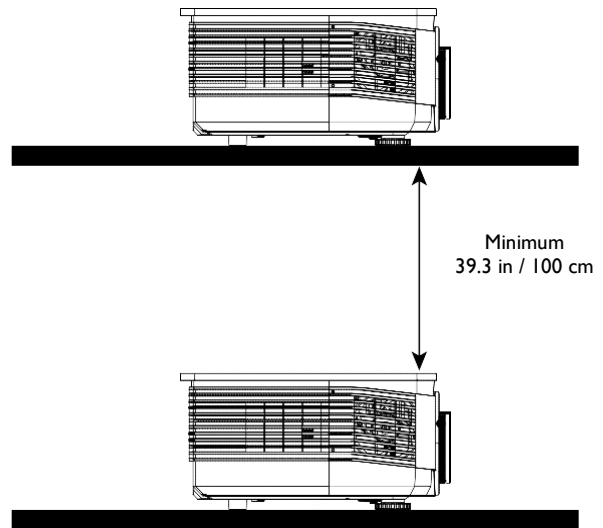
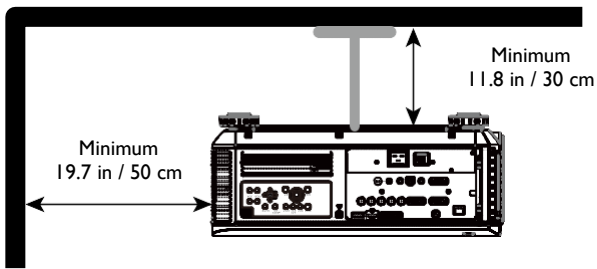
## Ventilation illustration



## Exhaust vent requirements

For proper ventilation of the projector, make sure to leave some space around the projector as shown in the illustration below:





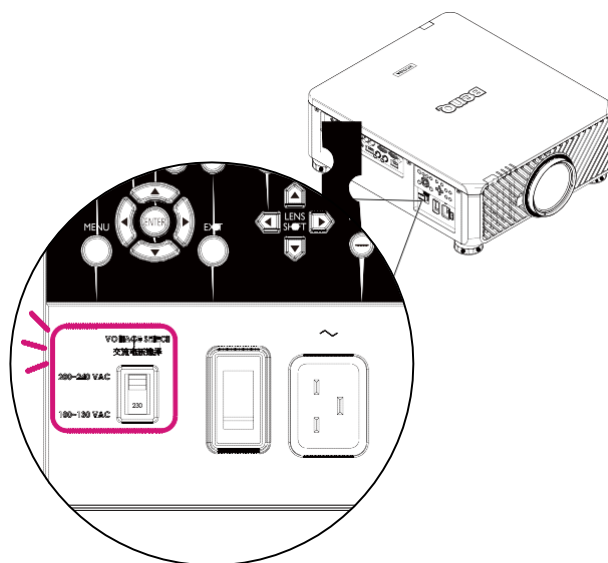
## Voltage switcher

Please make sure the Voltage Switch is selected at the right voltage in the region where projector is being used.



### Note:

Default setting is 230V.



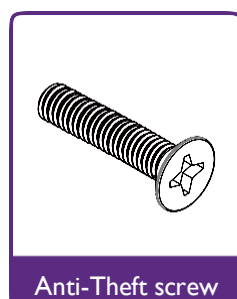
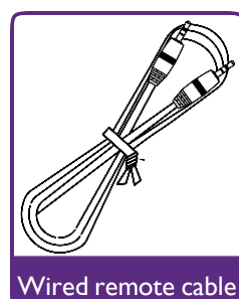
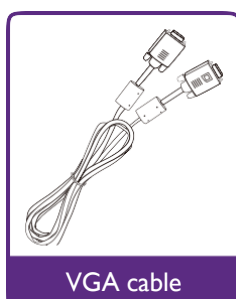
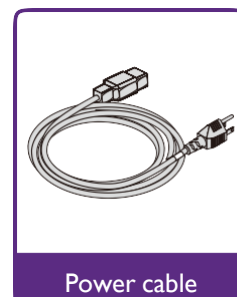
## Caution during installation

- Please turn off projector when changing or removing lens, or it will cause the projector shut down immediately without normal procedure.
- To avoid damaging the DLP chips, never aim a high-power laser beam into the projection lens.

## Product information

### Packing contents

Carefully unpack and verify that you have the items below. Some of the items may not be available depending on your region of purchase. Please check with your place of purchase.



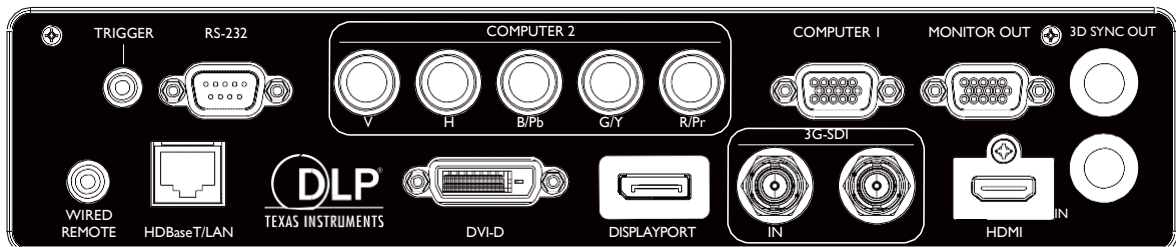
### Projector specifications

Specifications	LU9915
Projection system	DLP Single 0.67 WUXGA DMD Chip
Native resolution	WUXGA (1920 x 1200)
Brightness	10,000 Lumens
Aspect ratio	16:10
Light source	Laser Light Source
Power consumption	1290W@100V, 1215W@240V
Dimensions	583mm (L) x 500mm (W) x 211mm (H)
Weight	28kg / 61.7 lbs (Lens excluded)
Operation Temperature	32°F to 104°F (0°C to 40°C )

#### Note:

- Brightness is supplied by standard lens. The value will vary depending on lenses being installed.
- Brightness output will vary depending on each unit and actual usage.
- Please visit the local website from <http://www.benq.com> for the latest User Manual.

# Terminals

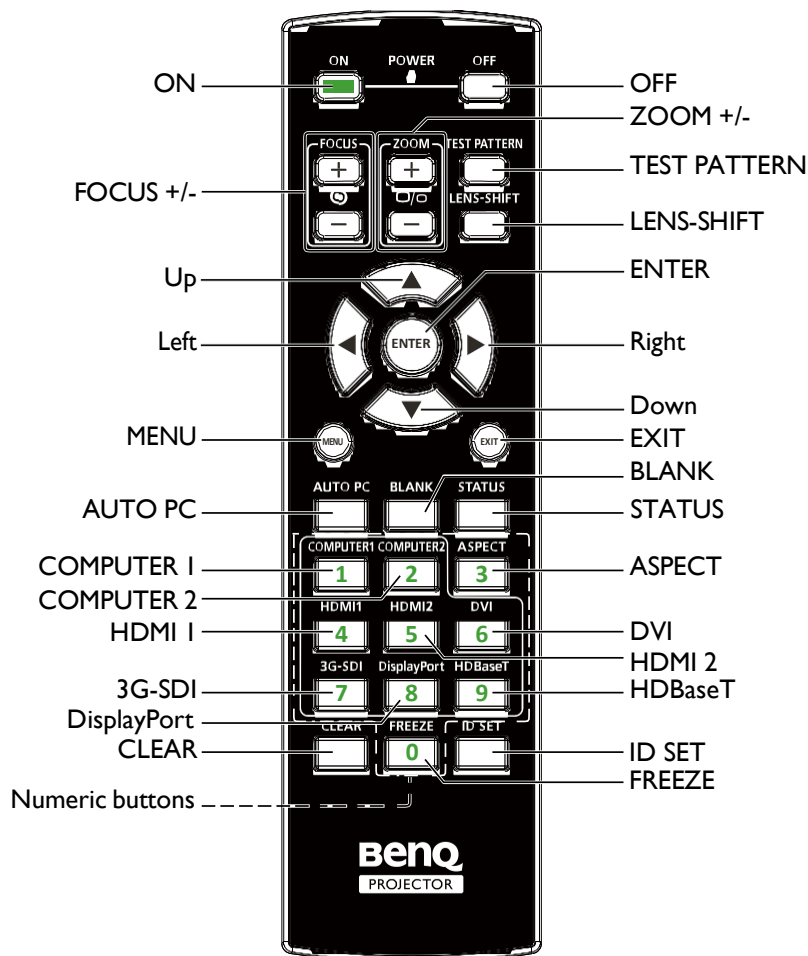


- **HDBaseT/LAN**  
For connection to RJ45 Cat5/Cat6 Ethernet cable to input uncompressed high-definition video (HD), control signals.
- **3D Sync Out**  
Connection to 3D IR sync signal transmitter.
- **3D Sync In**  
Connection to 3D sync signal input.
- **DVI-D**  
Connection to DVI-D source.
- **HDMI**  
Connection to HDMI source.
- **DisplayPort**  
Connection to device or PC featuring DisplayPort.
- **3G-SDI**  
Connection to 3G-SDI source.
- **Computer 1**  
15-pin VGA port for connection to RGB, component HD source, or PC.
- **Computer 2 (V, H, B/Pb, G/Y, R/Pr)**  
Connection to RGB or YPbPr/YCbCr output signal with BNC type input terminal.
- **Monitor Out**  
Connection to other display equipment for concurrent playback display.
- **RS-232**  
Standard 9-pin D-sub interface for connection to PC control system and projector maintenance.
- **TRIGGER**  
3.5mm mini earphone jack, employs 350mA display relay to provide 12(+/-1.5)V output and short circuit protection.
- **Wired Remote**  
Connection to input Niles or Xantech compatible IR repeater system.

## Note:

Make sure the port is valid before inserting a wired remote controller. The remote controller may be damaged in case of an invalid port, e.g. a wired remote controller is connected to trigger output.

## Remote control



## Remote control ID setting

You can set the remote control ID to control the specific projector.

Please set projector ID (from 01 to 99) by using the OSD menus. After setup different ID, the remote control will only control the matched projector .

Press ID SET + MENU keys together for 5 seconds, the remote control backlight will flash one time, then into the ID Set mode.

Again click ID SET + MENU keys for 5 seconds (backlight will flash 1 time) to release ID SET Mode.

After into the ID Set Mode, press ID SET key for 3 seconds.

The remote control LED light will flash and backlight will light. In the meantime, press number to set the remote control ID.

For example, for setting remote control ID to “01”, please press 0 key for 1 second (LED light will flash 3 times then back light off), then press 1 key for 1 second (LED light flash 3 times then backlight off).

For setting remote control ID to “19”, please press 1 key for 1 second, then press 9 key for 1 second.

# Installation

## Lens specifications

Model Name	Lens Type	BenQ Part Number	Optical spec	Throw Ratio	Zoom Ratio	Weight*
LS1ST4	Ultra Short Throw	5J.JCY37.002	F=2.0, f=5.64 mm	0.38:1	Fixed	2,710g
LS1ST3	Wide fix	5J.JAM37.011	F=1.85, f=11.6mm	0.76:1	Fixed	910g
LS1ST2	Ultra Wide	5J.JAM37.061	F=1.96~2.3, f=11.3~14.1mm	0.75~0.93:1	1.25:1	1,280g
LS1ST1	Wide Zoom	5J.JAM37.021	F=1.85~2.5, f=18.7~26.5mm	1.25~1.79:1	1.41:1	1,090g
LS1SD	Standard	5J.JAM37.001	F=1.7~1.9, f=26~34mm	1.73~2.27:1	1.3:1	820g
LS1LT1	Semi Long	5J.JAM37.051	F=1.86~2.48, f=32.9~54.2mm	2.22~3.67:1	1.65:1	950g
LS1LT2	Long Zoom1	5J.JAM37.031	F=1.85~2.41, f=52.8~79.1mm	3.58~5.38:1	1.5:1	1,020g
LS1LT3	Long Zoom2	5J.JAM37.041	F=1.85~2.48, f=78.5~121.9mm	5.31~8.26:1	1.55:1	1,350g



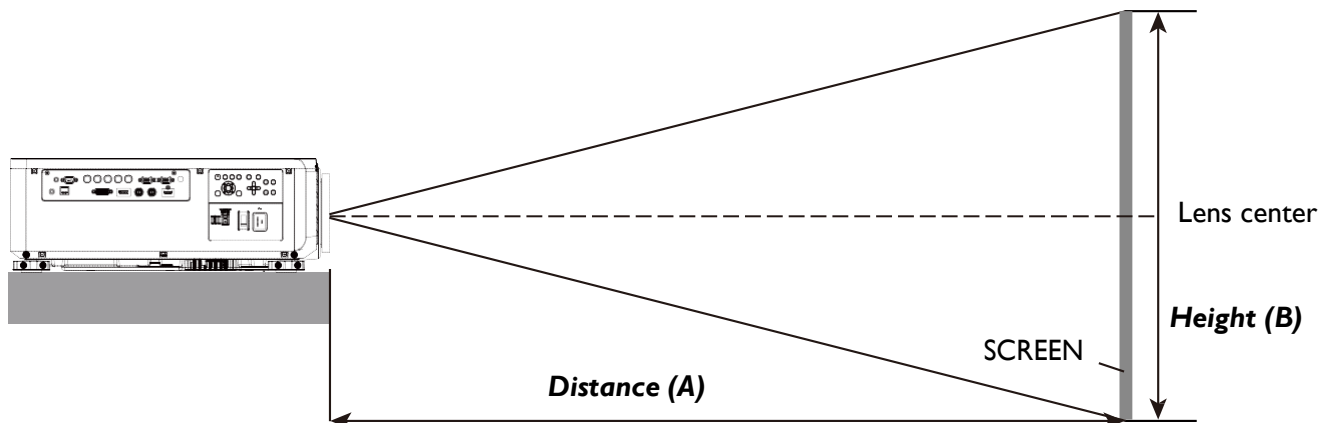
### Note:

The values listed in the table above are average and may vary by model.



# Projection table

## Wide Fix Lens, Wide Zoom Lens, STD Lens, Semi Long Zoom I, Long Zoom 1 Lens, Long Zoom 2 Lens, Ultra Wide Zoom Lens

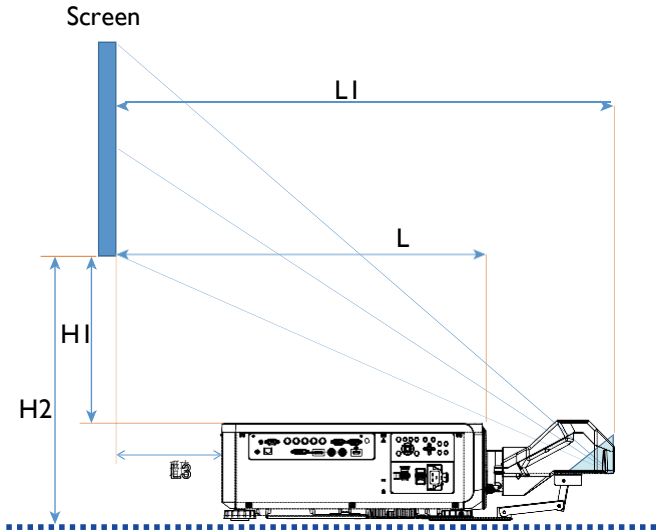
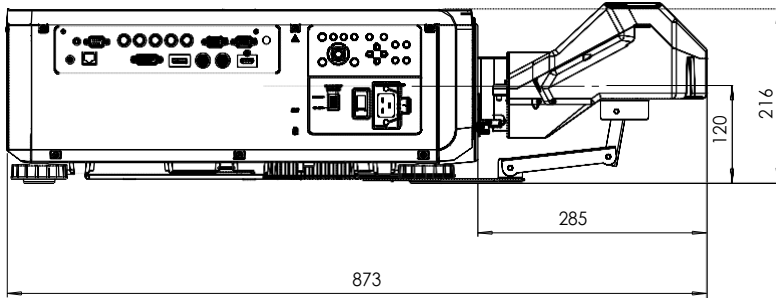


### LU9915

Screen Size						5J.JAM37.011		5J.JAM37.021				5J.JAM37.001				5J.JAM37.051			
						Wide Fix Lens		Wide Zoom Lens				STD Lens				Semi long Zoom1			
Diagonal		Width		Height (B)		Distance (A)													
						Fixed		Wide		Tele		Wide		Tele		Wide		Tele	
(inch)	(m)	(inch)	(m)	(inch)	(m)	(inch)	(m)	(inch)	(m)	(inch)	(m)	(inch)	(m)	(inch)	(m)	(inch)	(m)	(inch)	(m)
40	1.02	34	0.86	21	0.54	25.1	0.64	41.4	1.05	59.9	1.52	57.2	1.45	75.8	1.93	73.6	1.87	124.1	3.15
50	1.27	42	1.08	26	0.67	31.8	0.81	52.3	1.33	75.4	1.92	72.1	1.83	95.5	2.42	92.9	2.36	155.9	3.96
60	1.52	51	1.29	32	0.81	38.5	0.98	63.1	1.60	90.9	2.31	87.1	2.21	115.1	2.92	112.1	2.85	187.8	4.77
80	2.03	68	1.72	42	1.08	52.0	1.32	84.9	2.16	121.8	3.09	117.0	2.97	154.3	3.92	150.5	3.82	251.4	6.39
100	2.54	85	2.15	53	1.35	65.5	1.66	106.6	2.71	152.7	3.88	147.0	3.73	193.5	4.92	188.9	4.80	315.0	8.00
120	3.05	102	2.58	64	1.62	78.9	2.01	128.4	3.26	183.6	4.66	176.9	4.49	232.8	5.91	227.6	5.78	378.6	9.62
150	3.81	127	3.23	79	2.02	99.1	2.52	161.0	4.09	230.0	5.84	221.8	5.63	291.6	7.41	285.0	7.24	474.1	12.04
180	4.57	153	3.88	95	2.42	119.3	3.03	193.6	4.92	276.4	7.02	266.7	6.77	350.5	8.90	342.6	8.70	569.5	14.47
200	5.08	170	4.31	106	2.69	132.8	3.37	215.3	5.47	307.3	7.81	296.6	7.53	389.7	9.90	381.0	9.68	633.1	16.08
300	7.62	254	6.46	159	4.04	200.1	5.08	324.0	8.23	461.9	11.73	446.3	11.34	585.9	14.9	573.2	14.56	951.2	24.16
400	10.16	339	8.62	212	5.38	267.4	6.79	432.7	10.99	616.6	15.66	595.9	15.14	782.3	19.87	765.3	19.44	1269.7	32.25
500	12.70	424	10.77	265	6.73	334.8	8.50	541.5	13.75	771.2	19.59	745.6	18.94	978.3	24.85	957.4	24.32	1587.8	40.33

Screen Size						5J.JAM37.031				5J.JAM37.041				5J.JAM37.061			
						Long Zoom 1 Lens				Long zoom 2 Lens				Ultra Wide zoom Lens			
Diagonal		Width		Height (B)		Distance (A)											
						Wide		Tele		Wide		Tele		Wide		Tele	
(inch)	(m)	(inch)	(m)	(inch)	(m)	(inch)	(m)	(inch)	(m)	(inch)	(m)	(inch)	(m)	(inch)	(m)	(inch)	(m)
40	1.02	34	0.86	21	0.54	118.7	3.01	181.0	4.60	173.9	4.42	277.7	7.05	24.5	0.62	31.1	0.79
50	1.27	42	1.08	26	0.67	149.7	3.80	227.6	5.78	220.2	5.59	350.0	8.89	31.1	0.79	39.2	1.00
60	1.52	51	1.29	32	0.81	180.7	4.59	274.1	6.96	266.6	6.77	422.3	10.73	37.6	0.96	47.4	1.20
80	2.03	68	1.72	42	1.08	242.7	6.16	367.3	9.33	359.4	9.13	567.0	14.40	50.8	1.29	63.8	1.62
100	2.54	85	2.15	53	1.35	304.3	7.73	460.4	11.70	452.1	11.48	711.6	18.07	63.9	1.62	80.2	2.04
120	3.05	102	2.58	64	1.62	366.7	9.31	553.6	14.06	544.9	13.84	856.2	21.75	77.1	1.96	96.6	2.45
150	3.81	127	3.23	79	2.02	459.4	11.67	693.3	17.61	684.0	17.37	1073.1	27.26	96.8	2.46	121.1	3.08
180	4.57	153	3.88	95	2.42	552.4	14.03	833.0	21.16	823.1	20.91	1290.1	32.77	116.5	2.96	145.7	3.70
200	5.08	170	4.31	106	2.69	614.7	15.6	926.4	23.53	915.9	23.26	1434.7	36.44	129.7	3.29	162.1	4.12
300	7.62	254	6.46	159	4.04	924.0	23.47	1392.1	35.36	1379.6	35.04	2157.8	54.81	195.4	4.96	244.0	6.20
400	10.16	339	8.62	212	5.38	1233.9	31.34	1857.9	47.19	1843.3	46.82	2880.9	73.18	261.2	6.63	325.9	8.28
500	12.70	424	10.77	265	6.73	1543.7	39.21	2323.6	59.02	2307.1	58.60	3604.0	91.54	326.9	8.30	407.7	10.36

# Ultra Short Reflection



- L1: Screen to the point of mirror
- L2: Screen to projector front
- L3: Screen to project back
- H1: Screen bottom to projector top side
- H2: Screen bottom to projector bottom

Screen size						5J.JCY37.001									
						Ultra Short Reflection									
Diagonal		Width		Height		H1		H2		L1		L2		L3	
inch	mm	inch	mm	inch	mm	inch	mm	inch	mm	inch	mm	inch	mm	inch	mm
100	2540	85	2166	53	1355	19	485	28	701	33	849	22	564	-1	-24
120	3048	102	2599	64	1627	23	596	32	812	39	1000	28	715	5	127
150	3810	128	3247	80	2032	30	763	39	979	48	1227	37	942	14	354
200	5080	170	4330	107	2711	41	1041	49	1257	63	1606	52	1321	29	733
250	6350	213	5415	133	3391	52	1320	60	1536	78	1984	67	1699	44	1111
300	7620	256	6500	160	4071	63	1598	71	1814	93	2362	82	2077	59	1489
350	8890	299	7585	187	4752	74	1877	82	2093	108	2741	97	2456	74	1868

**Note:**

- For more visualized instructions, please go to BenQ calculator website <http://projectorcalculator.benq.com/>.
- Precise installation is preferred to be done by professionals. Contact your dealer for more information.
- When UST lens is installed to the projector, it is recommended to loosen the screw on the support kit and make the arm movable before adjustment.
- The User Manual for UST Lens installation is available from local BenQ website.

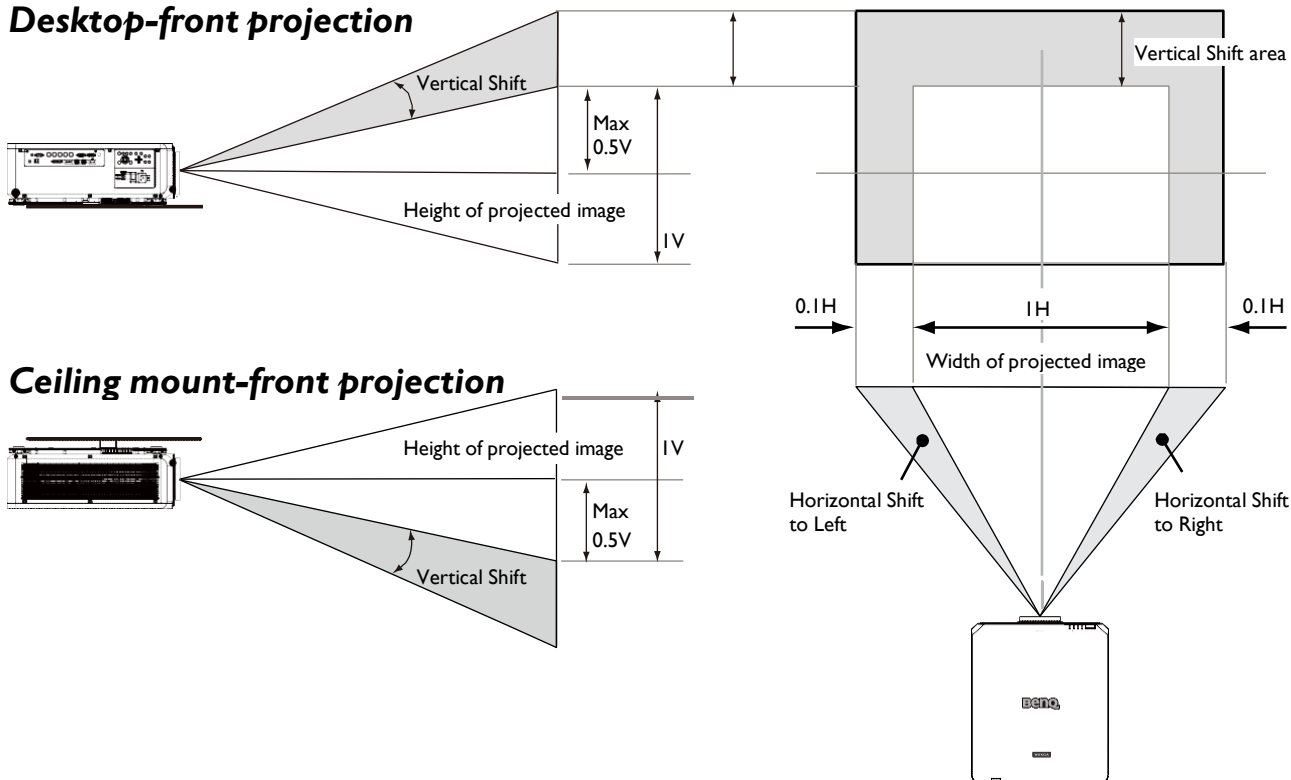
# Lens shift

## Lens shift adjustable range

The adjustable range for lens shift is tabulated below and subject to the conditions listed.

Model Name	Lens Type	BenQ Part Number	Lens Shift Range
LS1ST4	Ultra Short Throw	5J.JCY37.001	-3% ~ +7% Vertical; -5% ~ +5% Horizontal (Central position at 56.5%)
LS1ST3	Wide fix	5J.JAM37.011	NA
LS1ST2	Ultra Wide	5J.JAM37.061	0 ~ +50% Vertical; -6.7% ~ +6.7% Horizontal
LS1ST1	Wide Zoom	5J.JAM37.021	0 ~ +50% Vertical; -10% ~ +10% Horizontal
LS1SD	Standard	5J.JAM37.001	0 ~ +50% Vertical; -10% ~ +10% Horizontal
LS1LT1	Semi Long	5J.JAM37.051	0 ~ +50% Vertical; -10% ~ +10% Horizontal
LS1LT2	Long Zoom1	5J.JAM37.031	0 ~ +50% Vertical; -10% ~ +10% Horizontal
LS1LT3	Long Zoom2	5J.JAM37.041	0 ~ +50% Vertical; -10% ~ +10% Horizontal

### Desktop-front projection

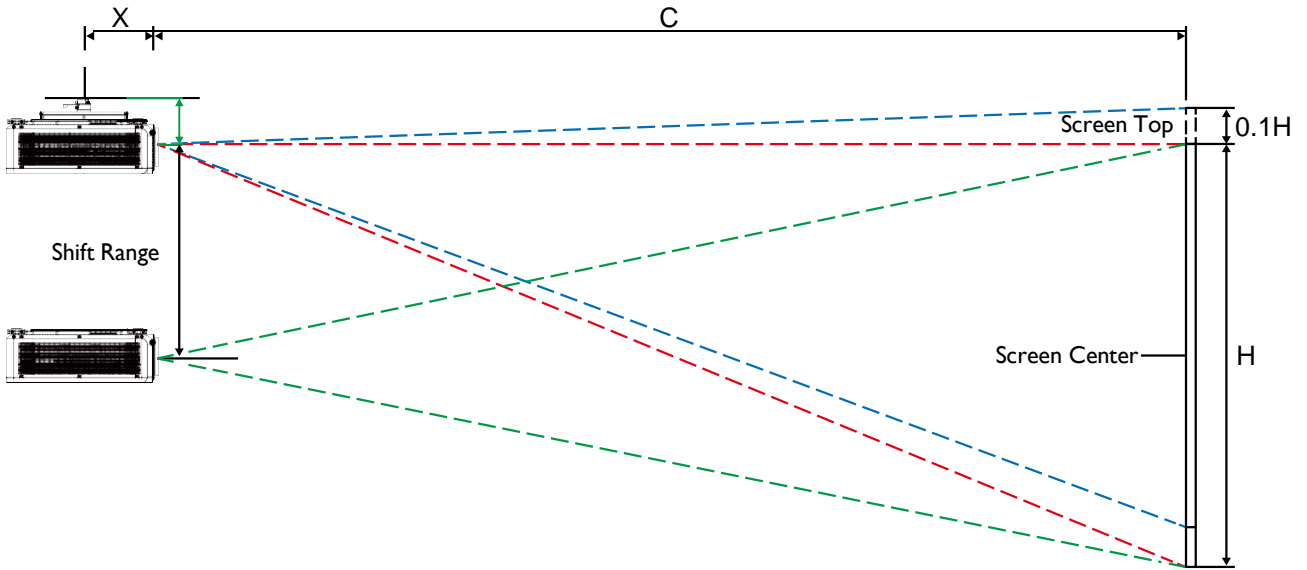


### Note:

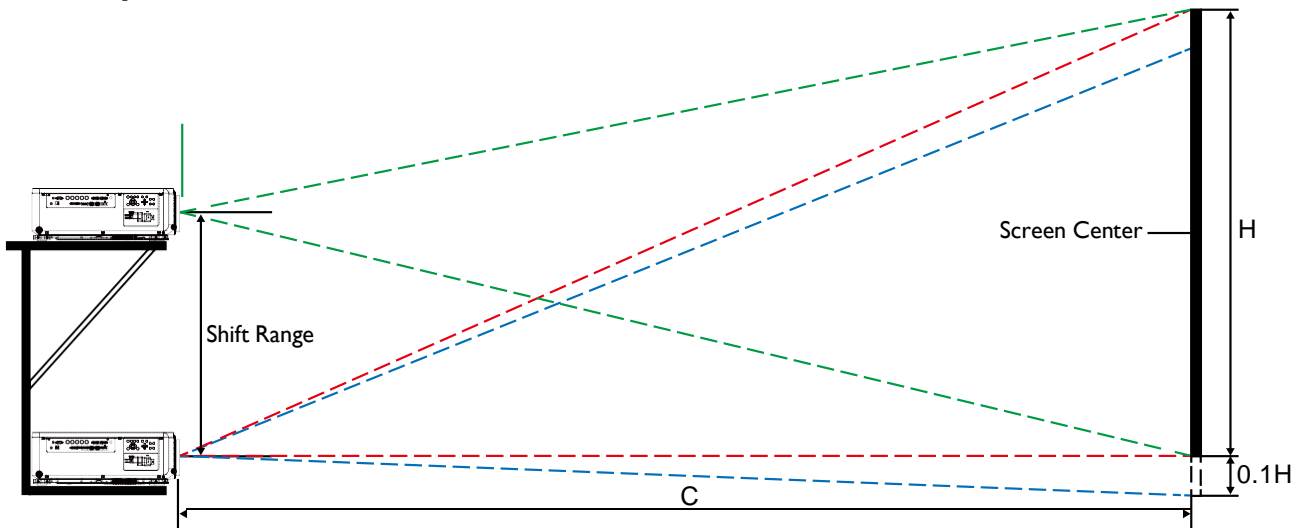
The drawings above apply to the standard lens only.

# Installation positioning

## Ceiling mount installation

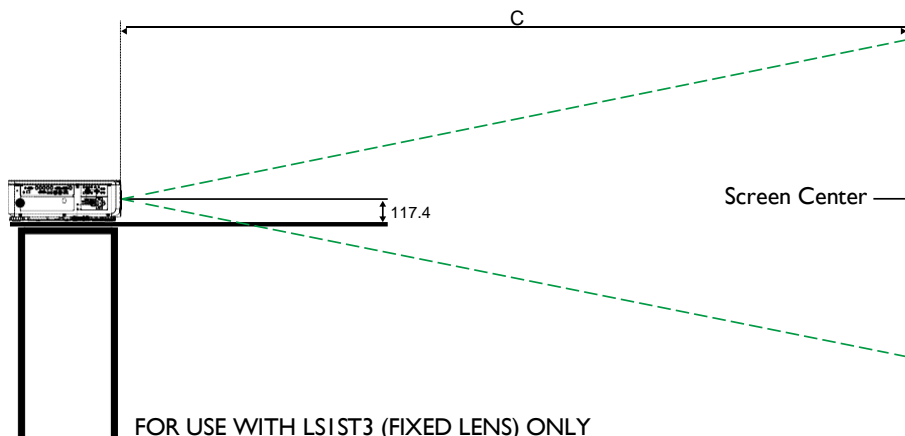


## Desktop installation



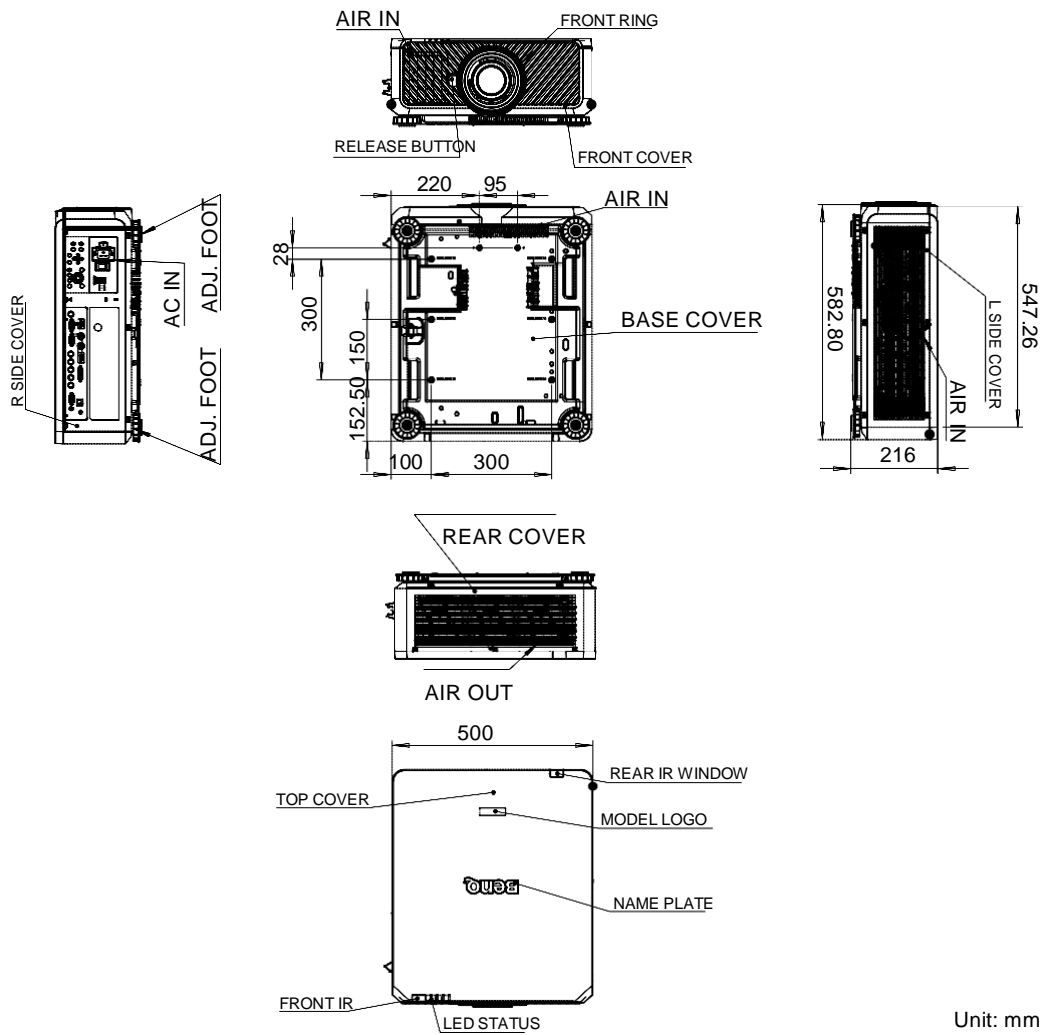
**Note:**

- Lens Shift function is not available to LS1ST3 (Fixed Lens). This lens should be used for "zero degree"/"no-offset" applications. See below:



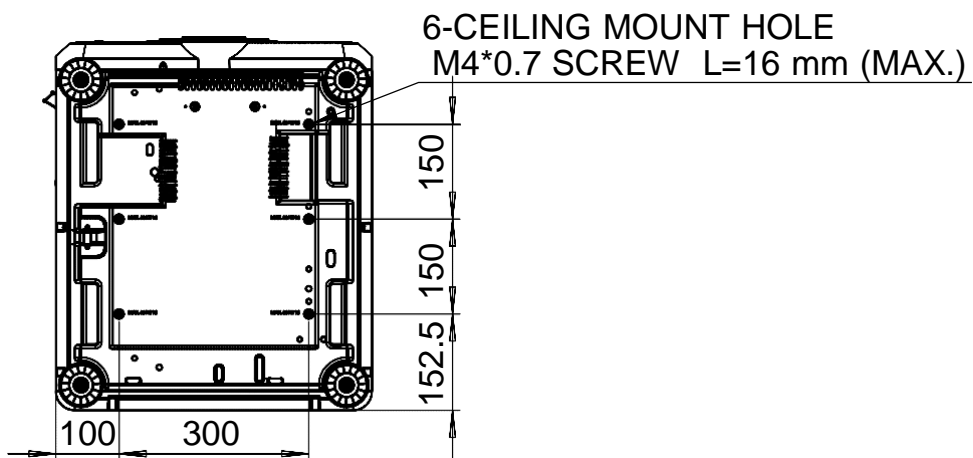
# Dimensions

## Cabinet dimensions

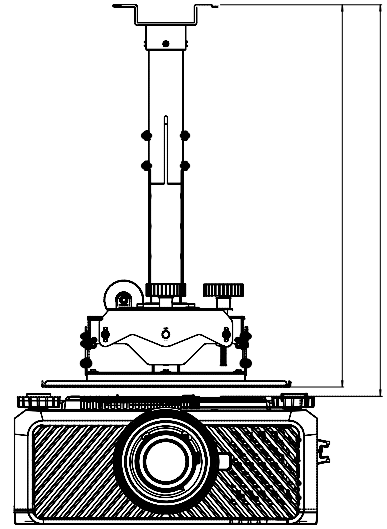
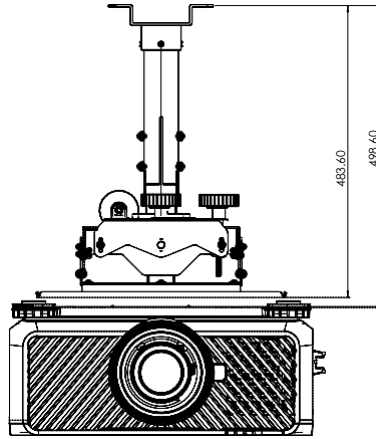
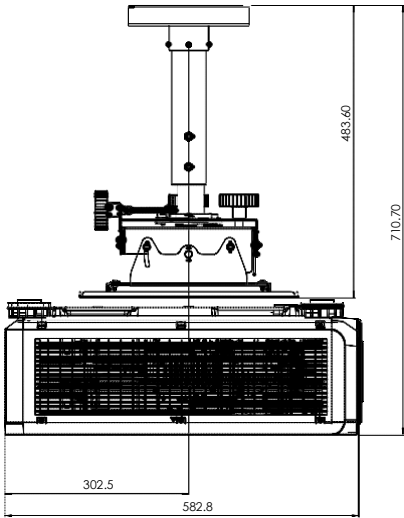
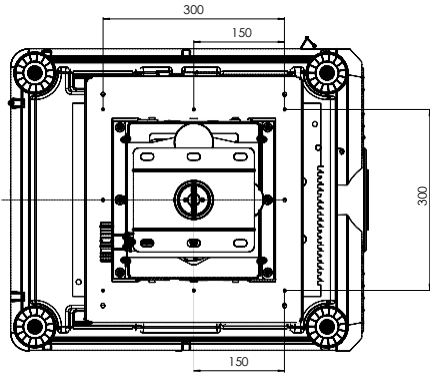


Unit: mm

## Ceiling mount hole dimensions

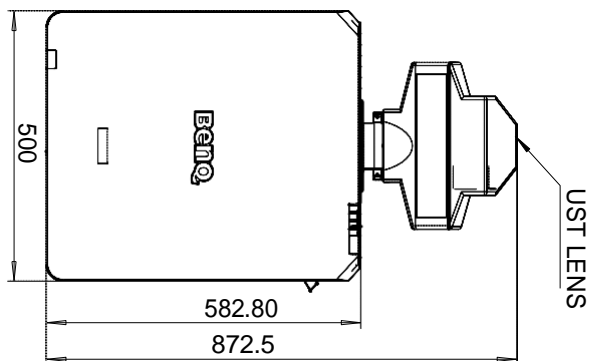


# Ceiling mount dimensions (CMG6)

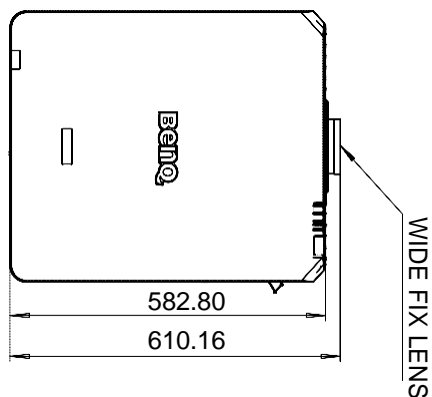


# Optional lens dimensions

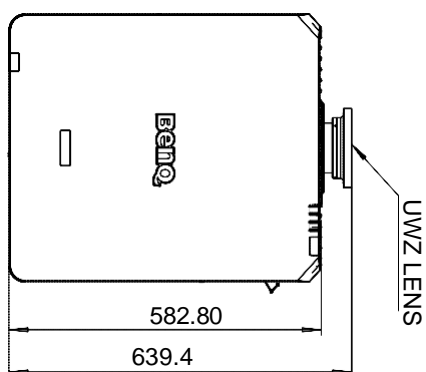
**Optional Lens (UST: LSIST4)**



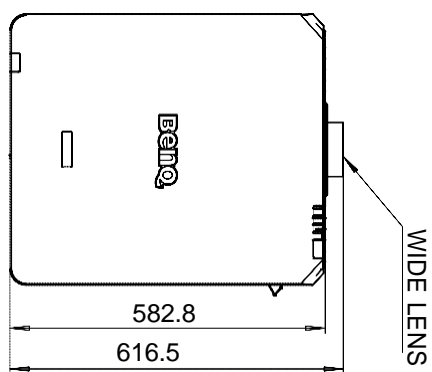
**Optional Lens (WIDE FIX: LSIST3)**



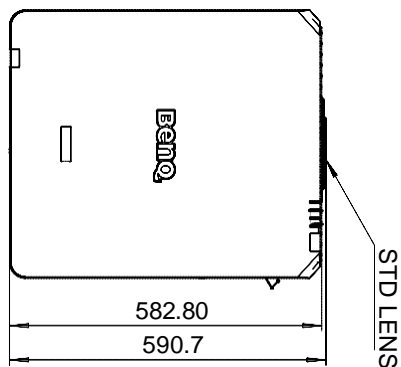
**Optional Lens (UWZ: LSIST2)**



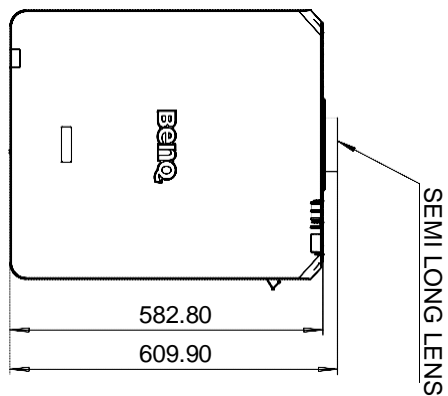
**Optional Lens (WIDE: LSIST1)**



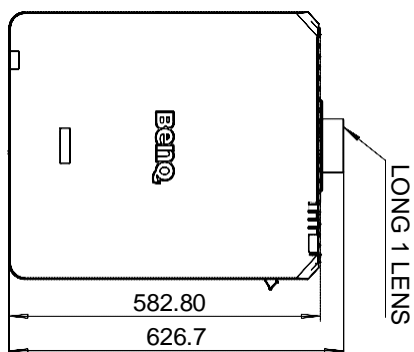
**Optional Lens (STD: LSISD)**



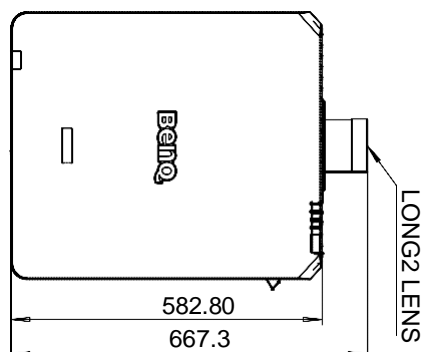
**Optional Lens (SEMI: LSILT1)**



**Optional Lens (LONG1: LSILT2)**



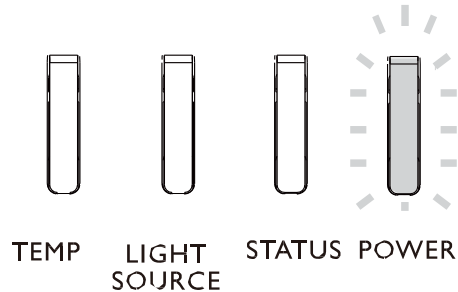
**Optional Lens (LONG2: LSILT3)**



# LED indication

## Indicator messages

Several indicator messages are used by the projector to alert users about problems with setup or system error. The LEDs on top cover of the projector illustrated below.



### TEMP LED

LED display		Projector status	Operation tips
Off		Normal status	
Flashing	Red	Over temperature error	Contact with your nearest authorized dealer or service center.

### LIGHT SOURCE LED

LED display		Projector status	Operation tips
Off		Light source is off	
Flashing	Green	Projector is turning on	
	Red (Cycles of 6)	Light source is end-of-life	Please call the local service center.
On	Red	Light source problem	Please call the local service center.
	Green	Light source is on	

### STATUS LED indicator

LED display		Projector status	Operation tips
Close		Normal	
Flashing	Red (once)	Safety switch error	Please check whether the top cover is well assembled or lens is well installed or not. If the problem persists, call the local service center.
	Red (quadruple)	Fan error	Call the local service center.
Lights up	Red	System error	Call the local service center.



## POWER LED indicator

LED display		Projector status	Operation tips
Close		AC power turned off	Check AC power source and power on the projector.
Flashing	Green	Ready to power on the projector	Wait until the projector starts projecting.
	Orange	The projector is cooling down	
Lights up	Red	Standby mode	To power on the projector, press the ON key on the remote controller or the Power key on the control panel.
	Green	Projector powered on	