

# Revolabs Executive Elite™ 2

## Wireless Microphone System



## Installation and Operation Guide

### Models:

01-ELITEEXEC2

03-ELITEEXEC2-EU

03-ELITEEXEC2-JP

© YAMAHA UNIFIED COMMUNICATIONS INC. All rights reserved. No part of this document may be reproduced in any form or by any means without express written permission from Yamaha Unified Communications Inc. Product specifications are subject to change without notice.

# Contents

Contents.....	3
Introduction.....	5
Safety and General Information.....	6
FCC Notice to Users.....	6
Industry Canada Notice to Users .....	7
For Body Worn Operation .....	7
Professional Installation Recommended.....	7
Notice to Customers in Australia.....	8
Restricted use with certain medical devices .....	8
Export Law Assurances.....	8
North America UPCS Usage Restriction .....	8
European Union Usage Restriction .....	8
Notice to European Customers.....	9
WEEE Notification.....	10
Safety Warnings.....	11
Glossary .....	12
Components .....	14
Installation .....	17
Base DSP Unit.....	17
Remote Antenna Receiver .....	19
Connect Remote Antenna Receiver to Base DSP Unit.....	22
System set-up .....	23
Analog Audio .....	23
Front panel user interface .....	24
Home Screens.....	24
Front Panel Menu Tree .....	28
Main Menu.....	28
Local Web UI .....	33
Connecting to the local web UI.....	33
First time usage .....	35
Monitor Page .....	36
Microphone Audio Page .....	39
Audio Management .....	40
Serial Control Processor (Room Control Interface).....	54
Firmware updates.....	62
Microphones .....	63

<b>The Elite Wearable Wireless Microphones .....</b>	<b>64</b>
<b>The Elite Omni-Directional Wireless Tabletop Boundary Microphones.....</b>	<b>67</b>
<b>The Elite Directional Wireless Tabletop Boundary Microphones .....</b>	<b>69</b>
<b>The Elite Wireless 6 inch and 12 inch Wireless Gooseneck Tabletop Microphones.....</b>	<b>71</b>
<b>Elite Wireless XLR Adapter .....</b>	<b>73</b>
<b>The Elite Wireless TA4 (mini XLR) Adapter for lapel and ear-set microphones.....</b>	<b>75</b>
<b>Batteries.....</b>	<b>77</b>
<b>Pairing Wireless Microphones to Remote Antenna and Base DSP Station .....</b>	<b>77</b>
<b>LED patterns .....</b>	<b>79</b>
<b>Mute Groups .....</b>	<b>80</b>
<b>Warranty .....</b>	<b>83</b>
<b>Open Source Software .....</b>	<b>84</b>
<b>Troubleshooting.....</b>	<b>86</b>
<b>Accessing the Web UI through the Front Panel USB.....</b>	<b>86</b>
<b>Antenna Symbol Blinking .....</b>	<b>86</b>
<b>Batteries incorrectly detected as non-rechargeable .....</b>	<b>86</b>
<b>Technical Support.....</b>	<b>87</b>
<b>Specifications.....</b>	<b>88</b>
<b>Microphone Polar Patterns.....</b>	<b>89</b>
<b>Index .....</b>	<b>90</b>

## **Introduction**

Congratulations on your purchase of the Revolabs Executive Elite™ Wireless Microphone System. This system utilizes state of the art technology providing high bandwidth audio and enabling clear, reliable, untethered audio capture for your applications.

Please read this documentation carefully and follow the instructions before installing and using your Executive Elite™ Wireless Microphone System.

## **Safety and General Information**

Please read the following information to ensure safe and efficient use of your Revolabs system.

### **FCC User Information**

FCC ID: T5V01EXEC4	Revolabs Executive 2 Channel Base Station
FCC ID: T5V01EXECCMIC	Revolabs Executive Tabletop Microphone
FCC ID: T5V01EXECCMICWR	Revolabs Executive Wearable Microphone

### **FCC Notice to Users**

This device complies with Part 15 of the FCC Rules. Operation is subject to the following two conditions: (1) this device may not cause harmful interference, and (2) this device must accept any interference received, including interference that may cause undesired operation.

Users are not permitted to make changes or modify the equipment in any way. Changes or modifications not expressly approved by Yamaha Unified Communications Inc. could void your authority to operate this equipment under Federal Communications Commission's rules.

## **RADIO AND TELEVISION INTERFERENCE**

This equipment has been tested and found to comply with the limits for a Class B digital device, pursuant to Part 15 of the FCC rules. These limits are designed to provide reasonable protection against harmful interference in a residential installation. This equipment generates, uses, and can radiate radio frequency energy and, if not installed and used in accordance with the instructions, may cause harmful interference to radio communications. However, there is no guarantee that interference will not occur in a particular installation. If this equipment does cause harmful interference to radio or television reception, which can be determined by turning the equipment off and on, the user is encouraged to try to correct the interference by one or more of the following measures:

- Reorient or relocate the receiving antenna.
- Increase the separation between the equipment and the receiver.
- Connect the equipment into an outlet on a circuit different from that to which the receiver is connected.
- Consult the dealer or an experienced radio/TV technician for help.

You may also find helpful the following booklet, prepared by the FCC: "How to Identify and Resolve Radio-TV Interference Problems." This booklet is available from the U.S. Government Printing Office, Washington D.C. 20402

## **Industry Canada Notice to Users**

Operation is subject to the following two conditions:

- (1) This device may not cause interference and
- (2) This device must accept any interference, including interference that may cause undesired operation of the device

Le présent appareil est conforme aux CNR d'Industrie Canada applicables aux appareils radio exempts de licence. L'exploitation est autorisée aux deux conditions suivantes : (1) l'appareil ne doit pas produire de brouillage, et (2) l'utilisateur de l'appareil doit accepter tout brouillage radioélectrique subi, même si le brouillage est susceptible d'en compromettre le fonctionnement.

IC: 6455A-01EXEC4	Revolabs Executive 2 Channel Base Station
IC: 6455A-01EXECCMIC	Revolabs Executive Tabletop Microphone
IC: 6455A-01EXECCMICWR	Revolabs Executive Wearable Microphone

### **RF Exposure**

This equipment complies with FCC radiation exposure limits set forth for an uncontrolled environment. The antenna(s) used for this equipment must be installed to provide a separation distance of at least eight inches (20 cm) from all persons. This equipment must not be operated in conjunction with any other antenna.

This device complies with RF exposure requirements in Industry Canada RSS-102 Issue 4.

### **For Body Worn Operation**

SAR data information for users in countries that have adopted the SAR limit recommended by the International Commission of Non-Ionizing Radiation Protection (ICNIRP), which is 0.08 W/kg averaged over the whole body or 2.00 W/kg averaged over ten (10) gram of tissue (for example European Union, Japan, Brazil and New Zealand):

### **Professional Installation Recommended**

This product should be professionally installed.

## **Notice to Customers in Australia**

1. Do not use in areas where there are explosive hazards
2. Do not use in environments where there is a danger of ignition of flammable gasses.

## **Restricted use with certain medical devices**

### **Hearing Aids**

Some devices may interfere with some hearing aids. In the event of such interference, you may want to consult with your hearing aid manufacturer to discuss alternatives.

### **Other Medical Devices**

If you use any other personal medical device, consult the manufacturer of your device to determine if it is adequately shielded from RF energy. Your physician may be able to assist you in obtaining this information.

## **Export Law Assurances**

This product is controlled under the export regulations of the United States of America and Canada. The Governments of the United States of America and Canada may restrict the exportation or re-exportation of this product to certain destinations. For further information contact the U.S. Department of Commerce or the Canadian Department of Foreign Affairs and International Trade. The use of wireless devices and their accessories may be prohibited or restricted in certain areas. Always obey the laws and regulations on the use of these products.

## **North America UPCS Usage Restriction**

### **01-ELITEEXEC2 (2 channel wireless microphone system)**

Due to the UPCS frequencies used, this product is licensed for operation in the United States of America and Canada only.

## **European Union Usage Restriction**

### **03-ELITEEXEC2-EU (2 channel wireless microphone system)**

Due to the DECT frequencies used, this product is licensed for operation in the European Union countries and Australia only.



## Notice to European Customers



Yamaha UC EMEA  
190, High Street,  
Tonbridge, Kent,  
TN9 1BE,  
UK.

Declare that for the hereinafter mentioned product model numbers, the presumption of conformity with the applicable essential requirements has been approved in accordance with Council Directive 1999/5/EC “Radio and Telecommunications Terminal Equipment” and RoHS II Directive 2011/65/EU.

**Model Number:**

03-ELITEEXEC2-EU  
03-ELITEMIC-OM-EU  
03-ELITEMIC-DR-EU  
03-ELITEMIC-GN6-EU  
03-ELITEMIC-GN12-EU  
03-ELITEMIC-WR-EU  
03-ELITEMIC-XLR-EU  
03-ELITEMIC-TA4-EU

**Description:**

Executive Elite System, 2-Channel, w/o microphones  
Elite Microphone, Omni-directional, Tabletop  
Elite Microphone, Uni-directional, Tabletop  
Elite Microphone, 6 Inch Gooseneck, Tabletop  
Elite Microphone, 12 Inch Gooseneck, Tabletop  
Elite Microphone, Wearable  
Elite Microphone, XLR microphone adapter  
Elite Microphone, TA4 microphone adapter

Any unauthorized modification of the products voids this Declaration.  
For a copy of the original signed declaration of conformity, please contact  
Yamaha UC EMEA at the above address.

## WEEE Notification

The Waste Electrical and Electronic Equipment (WEEE) directive (2012/19/EU) is intended to promote recycling of electrical and electronic equipment and their components at end of life.

According to the requirement of the WEEE legislation the following user information is provided to customers for all branded Revolabs products subject to the WEEE directive.



“The symbol on the product or its packaging indicates that this product must not be disposed of with your other household waste. Instead, it is your responsibility to dispose of your waste equipment by handing it over to a designated collection point for the recycling of waste electrical and electronic equipment. The separate collection and recycling of your waste equipment at the time of disposal will help conserve natural resources and ensure that it is recycled in a manner that protects human health and the environment. For more information about where you can drop off your waste for recycling, please contact your local authority, or where you purchased your product.”

## **Safety Warnings**

- Follow the instructions in the Revolabs Executive Elite Installation and Operation Guide.
- Do not expose any of the Executive Elite components to water, moisture, or high humidity.
- Do not expose any of the Executive Elite components to extreme high or low temperatures.
- Do not expose any of the Executive Elite components to lit candles, cigarettes, cigars, or to open flames, etc.
- Do not drop, throw, or try to bend any of the components, as rough treatment could damage them.
- Do not open the casings of any of the components of the Executive Elite system.
- Do not use any other accessories than Revolabs' originals intended for use with this product. Use of non-original accessories may result in loss of performance, damage to the product, fire, electric shock or injury. The warranty does not cover product failures which have been caused by use of non-original accessories.
- Only use the power adapters provided to connect the components to the electric mains.
- Do not open or try to modify any of the batteries delivered with the Elite components. Replace batteries only with approved batteries.
- Extreme heat above 140°F (60°C), short circuits, or any attempt to open or modify the batteries might cause them to ignite, explode, and / or release toxic material.

## Glossary

- AES 256** – Advanced Encryption Standard, 256 bit key-length version. Code Cypher used in the Executive Elite to encrypt the wireless signal and the audio communication between the Base DSP unit and the Remote Antenna.
- Cardioid Microphone** – A cardioid microphone (or directional microphone) is directional, picking up audio from the area in front of it, and less (or none) from behind. The pickup pattern is in the shape of a Cardioid.
- Channel** – Executive Elite 2 can handle 2 wireless microphones per base. For ease of use, each microphone is assigned a channel number as part of the pairing.
- Charger Base** – Storing and charging station for the Elite microphones. Magnets in the stand hold microphones on, while contacts supply charge if the charger base is plugged in. A microphone in a powered Charger Base is switched off and charging if correct rechargeable batteries are placed in the microphone.
- DECT** – Digital Enhanced Cordless Communication. Wireless Technology for audio and data applications using time division multiple access (TDMA) technology.
- Directional Microphone** – A microphone that receives audio primarily from one direction.
- Executive Elite Base DSP Unit** – The main processing unit of the Executive Elite system. The Base DSP unit transforms the encrypted audio signal from the microphones into unencrypted analog audio and applies audio control. All management of an Executive Elite system is done through the Base DSP unit.
- Firmware** – The software running on all components. (Software required for functionality).
- Linking microphone** – A microphone that was previously paired to an Executive Elite System will attempt to link to the same system when it is switched on or removed from a charger. Linked microphones actively communicate with the Executive Elite System. Microphone and Executive Elite Remote Antenna dynamically negotiate an available frequency and time slot for their communication.
- Omni-directional Microphone** – A microphone that receives audio from all directions (360 degrees).
- Pairing microphone** – Setting up communication between a microphone and an Executive Elite Base DSP unit.

**Remote Antenna** – The external transmission and reception device for the Executive Elite System. The remote Antenna is connected to the Executive Elite Base DSP unit using a point-to-point Cat 5e or Cat 6 connection.

**User Interface (UI)** – An interactive display allowing product users to control the Executive Elite system. The Executive Elite offers several User Interfaces, including a Web UI, a Front Panel UI, and the Cloud Management UI.

## Components

The Revolabs Executive Elite™ System package contains the following:

- Rack mountable 2 channel Base DSP Unit
- Remote Antenna receiver unit with mounting plate
- 4 Microphone Charger Base with external Power Supply
- Power cable, USB cable, network cable
- Euroblock connectors
- Documentation

In addition, you might have bought one or more Revolabs Elite wireless microphones. Each microphone package will include:

- Revolabs Elite wireless microphone (different styles)
- Lanyard and over-the-ear speaker element (wearable microphone only)
- Batteries
- Documentation

The Executive Elite Base DSP unit contains all the logic required to support the audio signal from the microphones to analog audio output. It supports the management interfaces (front panel, local web UI, room control system UI), as well as communication with the remote cloud based UI.

The Remote Antenna receiver contains all components required to receive (and send) audio signals from (and to) the microphones. It includes the required diversity antennas. The remote antenna also provides the scan of the RF frequency to determine current RF traffic. The remote antenna receiver communicates with the Elite Base DSP unit using a direct IP connection (Cat 5e or Cat 6 cable).

The Charger Base stores and charges the wireless Elite microphones when not in use. Communication capabilities are not required for the charger tray because all information transferred between microphones and the Elite base DSP unit passes over the wireless connection. This includes pairing of microphones to receivers, firmware updates of microphones, and commands sent to the microphones.

Revolabs Elite wireless microphone systems are designed to work with other audio equipment typically found in an installation. This equipment is typically used for:

- Audio Mixing
- Acoustic echo cancellation (AEC)
- Feedback elimination
- Level control
- Equalization
- Noise cancellation

The Revolabs Elite system provides some of these features as well. It is recommended to use either external or Revolabs audio control systems to change settings and adapt the audio to your exact needs. Best audio quality is easier to attain when only one system is used to adapt the audio.

The Revolabs Elite system is designed to optimize audio capture/reproduction by providing:

- Consistent audio input from all participants
- Minimize room noise
- Mute control
- Wireless encryption
- Automatic channel selection
- Full duplex audio.

Revolabs wireless microphones and transceivers, receive signals (audio, commands) from the remote antenna receiver, while sending audio back to the antenna and the Base DSP unit. There are several different microphone and microphone adapter types available with the Executive Elite:

- Omni directional tabletop microphone
- Directional (Cardioid) tabletop microphone
- 12in Gooseneck tabletop microphone
- 6in Gooseneck tabletop microphone
- Wearable Presenter microphone and transceiver
- TA4 microphone adapter (mini-XLR) and transceiver
- XLR microphone adapter and transceiver

To transmit audio, Microphones need to be paired to their receiver and antenna as described later in this document.

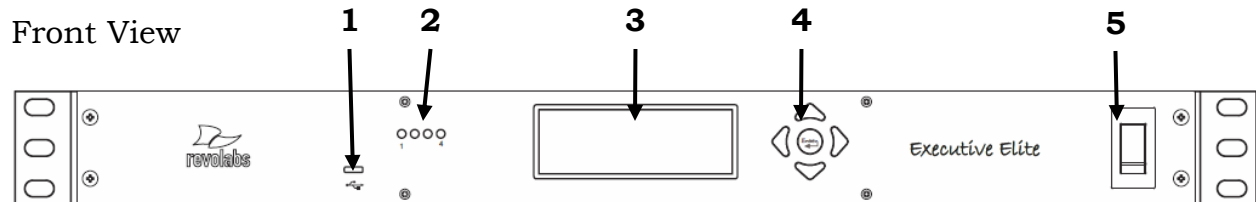
Finally, you might have purchased additional components like the ceiling mount kit for the remote antenna receiver, or the cross-over adapter to install wireless tabletop microphones permanently or semi-permanently on your tables.



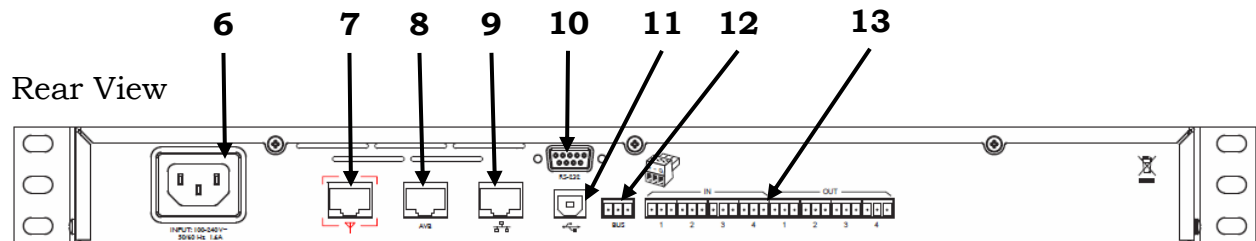
# Installation

## Base DSP Unit

The Revolabs Executive Elite Base DSP Unit, shown below in front and rear panel views, provides the audio output of the wireless microphones and the management interfaces to administer the microphone system.

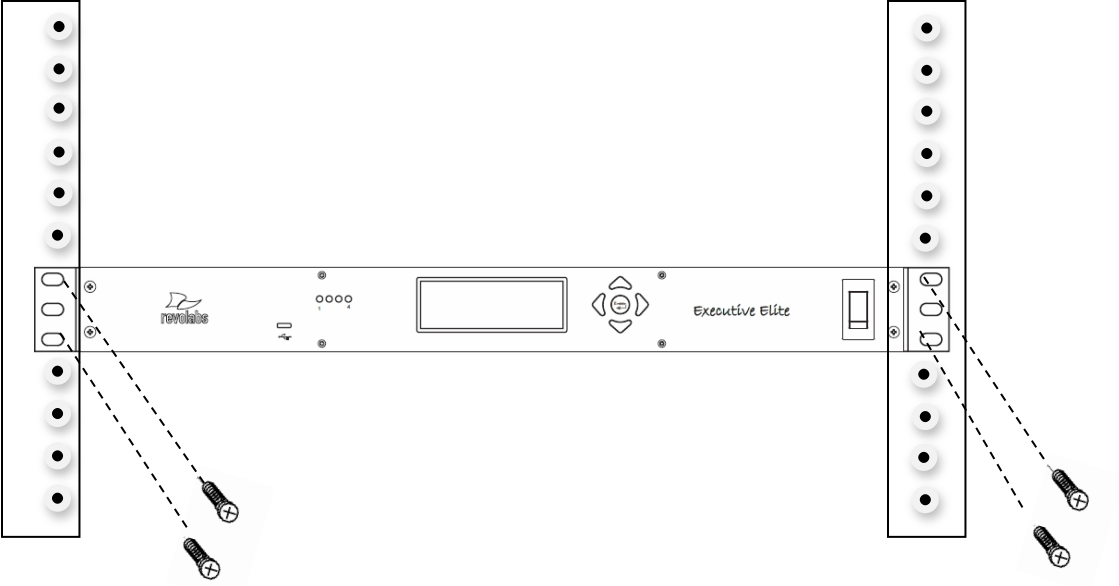


1. USB web access to local web user interface
2. Microphone status LEDs, showing pairing and mute status (only the first 2 LEDs are used)
3. Front panel LCD displaying system information
4. Navigation buttons controlling content of front panel LCD display
5. On/Off switch



6. Power In Receptacle (100-240 VAC, 50/60 Hz)
7. Remote Antenna Connector, PoE enabled
8. Not used
9. LAN network connector
10. Serial port for room control interface
11. Not used
12. Not used
13. Euroblock Connectors, analog audio in (black) and audio out (green), microphone channels 1-2. Analog audio in and analog audio out 3 and 4 are not used.

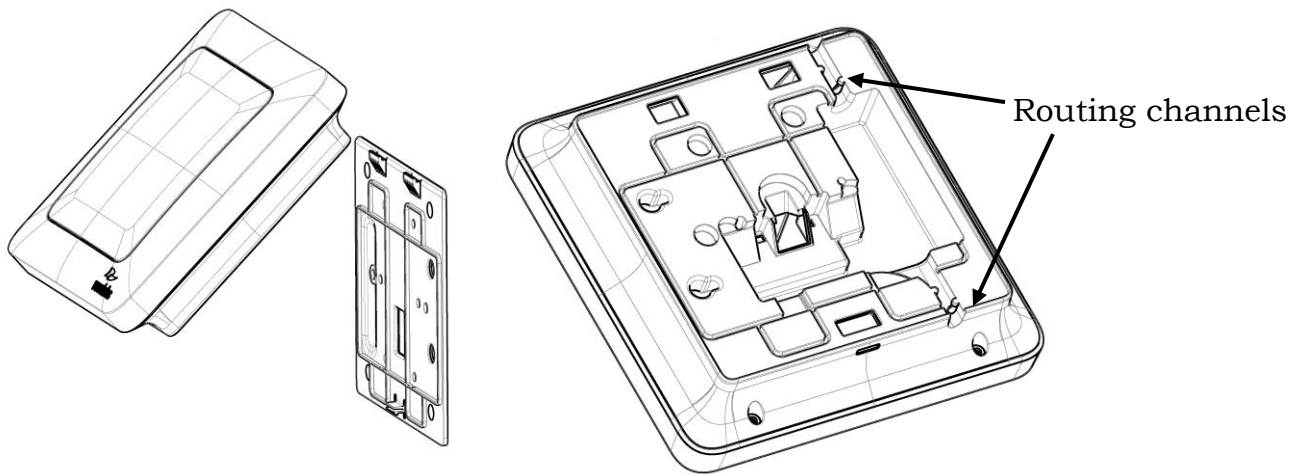
The Revolabs Executive Elite Base DSP Unit is designed to be installed into a standard 19" AV rack using the attached rack ears. Screws are not provided.



## Remote Antenna Receiver

The Remote Antenna Receiver consists of two pieces – the mounting plate and the Antenna housing. The Remote Antenna Receiver is installed similar to a wireless access point. Best locations are high on the wall or under the ceiling, facing into the room in which the microphones are located. Each Remote Antenna Receiver supports one Base DSP Unit.

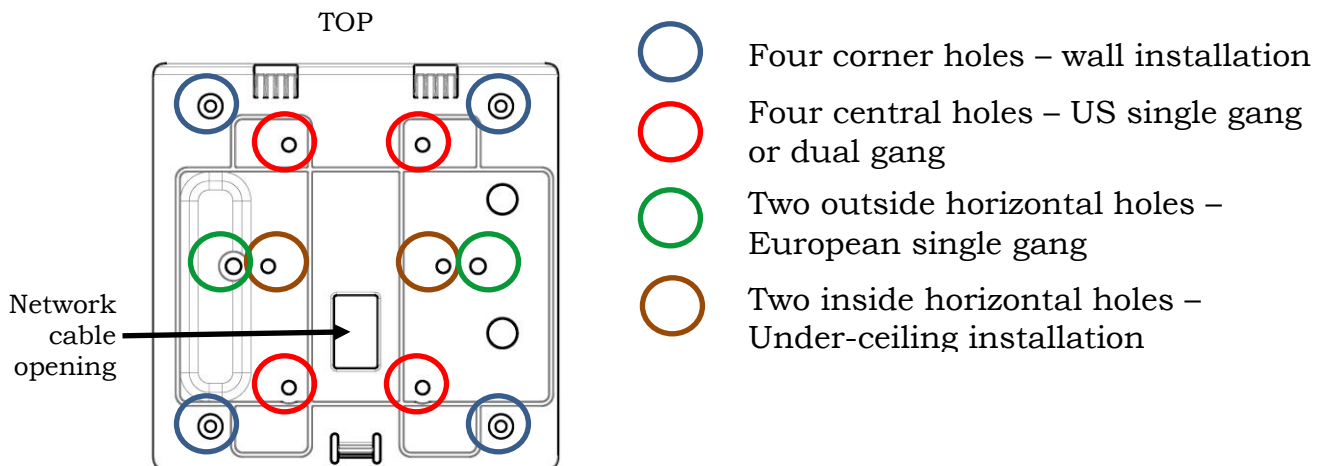
The Remote Antenna Receiver contains several antennas to provide the best transmission and reception of the radio signal to and from the microphones.



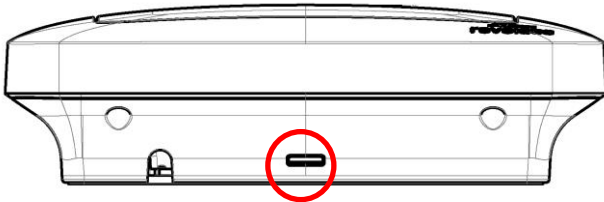
The back-plate of the Remote Antenna Receiver provides means to install the antenna in different environments. See the diagram below.

Independent on which way the wall plate is attached, do not over-tight the screws.

When installed on the wall or on an electrical one gang or two gang box the network cable can be routed through the Network cable opening. Alternatively, the network cable can be routed to leave the Remote Antenna Receiver either on the top or the bottom, using the provided routing channels.



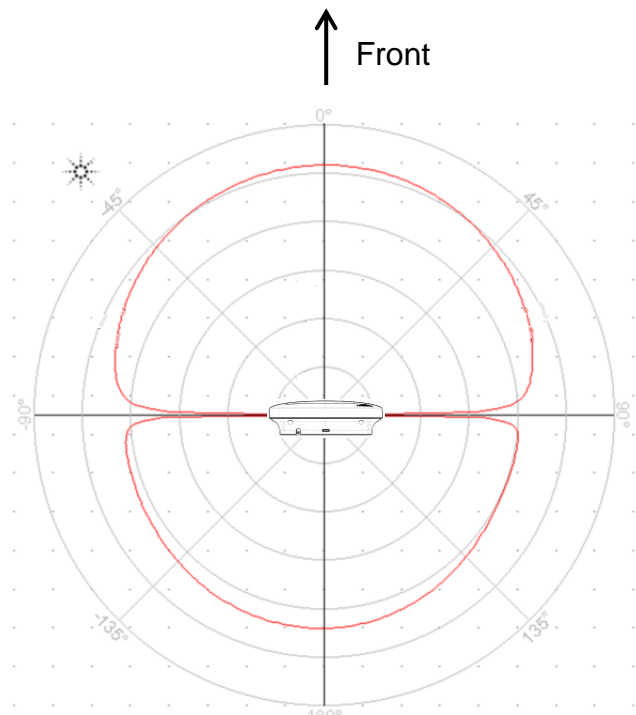
Once the back plate is attached to the wall and the network wire is connected to the Remote Antenna Receiver and routed correctly, the Remote Antenna enclosure is attached to the back plate by slipping it from the top onto the two hooks, and then pressing the bottom back against the wall plate until the snap clicks in.



To separate the Remote Antenna Receiver housing from the wall plate insert a screwdriver from the bottom into the slit and press against the snap while carefully pulling the Antenna Receiver forward until the Antenna Receiver releases from the snap. The Remote Antenna Receiver housing can now be detached from the wall plate.

### Antenna RF Polar pattern

The RF polar pattern of the antenna has a null on the plane of the antenna. Strongest signal is towards the front of the antenna. Towards the back of the antenna, the signal is several dB weaker.



Polar pattern of Antenna, side view

## **Antenna placement**

Best results are achieved when the antenna faces into the area where the microphones are used.

Optimal placements for the Antenna are either below the ceiling in the middle of the room facing down, or high on a wall facing into the room.

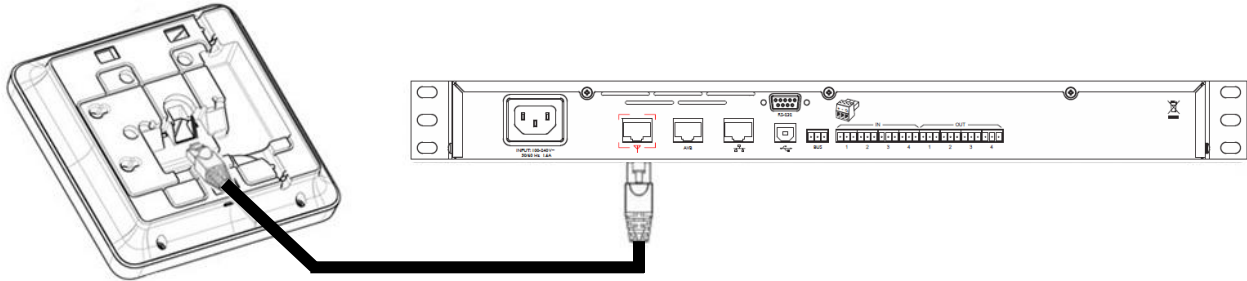
The antenna should not be placed flat, e.g. on a table or in a rack, similar to the height the microphones are typically placed.

## Connect Remote Antenna Receiver to Base DSP Unit

Connect the Remote Antenna Receiver with the Antenna output of the Base DSP Unit using a CAT 5e or Cat 6 cable.

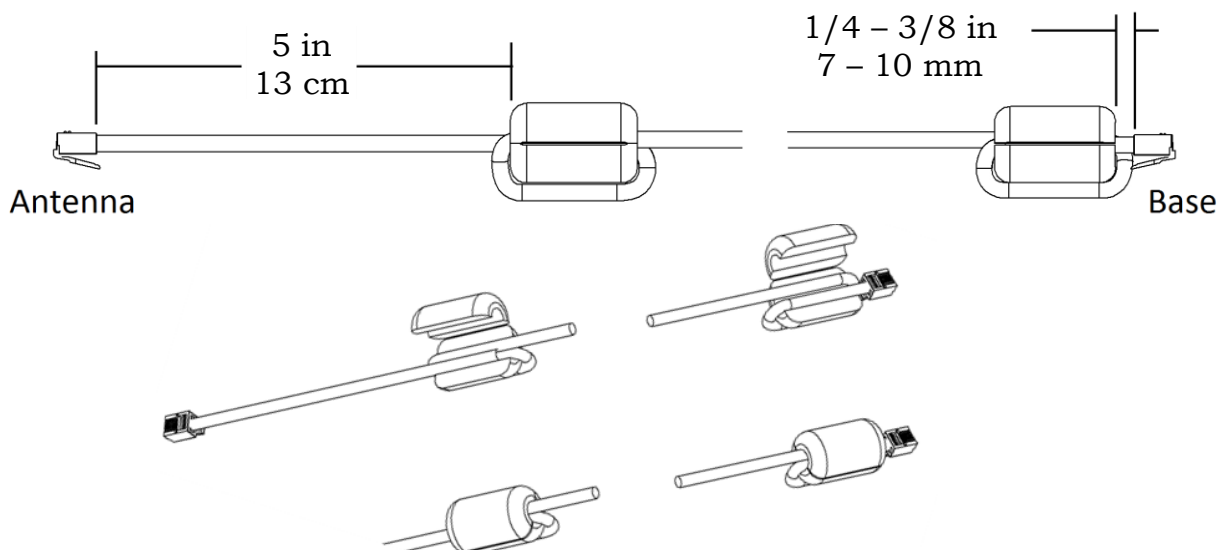
**NOTE:** This needs to be a, point to point connection between the two units. This is a time crucial connection. Routing this connection through a switch will fail.

The Antenna output of the Base DSP unit provides Power over Ethernet which is required to power the Remote Antenna.



Before connecting the network cable, ferrite beads need to be installed on either end of the cable to minimize electro-magnetic interference. One ferrite bead should be attached  $\frac{1}{4}$ - $\frac{3}{8}$  of an inch (7 – 10 millimeters) from the end of the cable that will connect to the Base DSP unit. The second ferrite bead needs to be attached 5 inches (13 centimeters) from the end of the cable that will attach to the antenna.

**NOTE:** The Antenna Receiver provides room for the ferrite to be placed in the antenna casing, underneath the mount plate. If running the cable through the Network Cable Opening in the mount plate the ferrite must be installed after the cable has been pulled through. Otherwise it will not fit through the opening.



## System set-up

Once the Remote Antenna Receiver has been connected to the Base DSP unit, connect that unit to the power mains and turn the switch on the front of the unit to “1”. The unit will now power up. You will see messages on the front screen providing information until the unit is operational. Once the Screen with the VU screen is shown, and the Antenna symbol is constant, the system is operational.

For additional system configuration instructions, see later sections describing the different user interfaces in this manual.

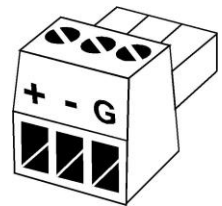
## Analog Audio

The back panel of the Executive Elite 2 base unit provides two 3.5mm Euroblock inputs and two 3.5mm Euroblock outputs, providing access to the audio signal.

The Euroblock connectors included in the package are designed for easy wiring. The three terminals (from left to right) correspond to positive +, negative -, and shielded ground G.

To connect audio In/Out on the Base Station:

1. Use the screws on top of the connector to first open the terminals.
2. Insert an appropriate 3-conductor cable (2 conductors and shield) into the terminals.
3. Tighten the screw to secure the cable.
4. Push the connector onto the pins centered under the desired input or output port on the back of the Base DSP unit until firmly secured.



The microphone output connectors need to be attached to the line-level (0dBu) input connectors of the post-processing audio equipment (mixer, DSP).

**NOTE:** Phantom power must be switched off on the mixer / DSP for the input used to connect the Executive Elite. Phantom power might cause damage to the Executive Elite inputs.

If back-channel audio uses the analog audio in, the Base DSP Unit input connectors (also 0dBu) may be attached to the output channels of the post-processing equipment.

## Front panel user interface

The Front panel user interface is one of four interfaces available to manage an Executive Elite system. The others are the local web UI, the Cloud Server Web UI, and the CLI (room control) interface and are described later in this document.

The front panel contains four areas:

1. On/off switch
2. 4 LEDs (only two are being used)
3. Graphics LCD display
4. 5 button navigation keypad.

The on / off switch powers the Executive Elite base and the connected remote antenna receiver on and off. During operation, this switch should be in the “1”, or ‘on’, position.

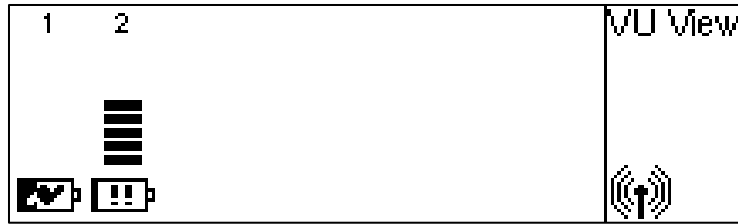
The LEDs on the front panel show the current microphone states. An LED that is off indicates that there is either no microphone paired to this channel, or the paired microphone is in the charger, out of reach, or switched off. A green blinking LED indicates an active microphone that is unmuted. A red blinking LED, showing a double blink, indicates an active microphone that is muted. A rapidly red blinking LED with a single blink indicates the microphone is upgrading. A constant red LED indicates a channel on which microphone pairing is taking place at the moment.

The LCD screen together with the navigation keypad allows easy monitoring of the Executive Elite system as well as managing system settings without additional equipment. Its home screens provide information on audio levels, radio signal strength, and access to gain settings for the analog audio output. The menu structure displays system information, and allows changes to some system and audio settings. The front panel can also be used to pair and un-pair microphones. It does not replace the local web UI interface to manage all options and functionality of an Executive Elite system. The front panel interface will also not allow access to password protected areas of the interface unless the system has first been set up using the local web UI.

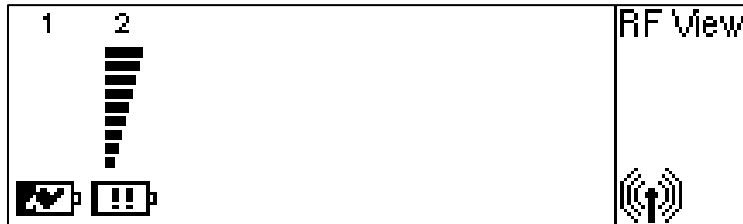
## Home Screens

When starting an Executive Elite system, the first page that comes up on the Front Panel LCD is the Volume Unit (VU) screen. This screen is one of the 3 home screens on the Front Panel UI. Using the “up” and “down” keys to the right of the LCD while on the VU page will show the other two home screens.





The VU screen shows the audio volume for each unmuted, linked microphone, as well as battery charge information.



“Up” from the VU screen, the RF View home screen shows the radio signal strength as measured on the receiver for each microphone.



“Down” from the VU screen, the Gain control screen shows the VU meters as well as the input gain setting for each microphone channel, which the user can change from this screen. To adjust the gain, a user presses the “Enter” while on the gain screen and a black highlighted selection will appear. The channel is selected using the “left” and “right” keys and once in the correct channel, the up and down keys change the gain in 1 dB steps. The gain setting for the highlighted channel is listed on the right-hand side of the LCD. The user cannot leave the gain control screen while in channel selection mode. To leave the screen, press “Enter” again to get into the normal mode. “Up” and “Down” will now switch between home screens again, and using the “Right” arrow key will enter the main menu.

When changing the gain or entering any menu in the front control panel that allows the user to changing values, a password prompt will appear before the user is allowed to proceed. To enter the password, use the right and left arrow keys to select a digit, and the up button to change the number of that digit (0-9). Hitting Enter will submit the password, and down brings the cursor to the cancel button. On the front panel, the password will be valid for 20 minutes, unless the user explicitly logs out in the Admin Settings submenu as described

further below. The factory preset password is 7386 (REVO on a telephone keypad), and can be changed either through the Admin Settings menu on the front panel interface, or the System Configuration menu on the local Web UI.

All three home screens are split into 3 sections, and each section shows a different type of information. On the far right-hand side of the screen, the Home screen name is displayed at the top of the external systems information box. Underneath it the antenna icons shows if the antenna is connected:



- Antenna. If it is blinking, an antenna is not communicating with the Base DSP unit. If it is solid, communication is passing between the Antenna and Base.

Separated from the external systems box by a vertical line is the channel information section of the Front Panel UI. At the top, each channel is labeled, and two rows underneath provide different information depending on which home screen is currently selected.

On all screens, the top row will show microphone status beyond linked with the following icons:



- Microphone Lost Link, or Unknown Status Microphone



- Firmware Update in Process



- Stand-by Mode

Microphone channels that have no microphone paired, a charging microphone, or when the microphone is switched off, will show no information.

Additional information from this row can be found in the following symbols:



- Mute Symbol. Will show on the VU screen for a linked, muted microphone.



- VU or Gain Meters. VU screen shows a VU meter for a linked, unmuted microphone, while the Gain screen meters look the same, but do not change unless set, and appear for all linked microphones.



- RF Meters. The RF screen will display the strength of the transmission from any linked microphone as it is received by the base. Microphones experiencing interference or far away will have a lower RF.

The second row displays battery information when seen on the VU and RF screens, using the following icons:



- For a linked microphone, the battery level icon will show the charge level by the amount of black in the battery.



- While in the charger, the battery symbol also shows a charging symbol overlaid over the battery-charge icon<sup>1</sup>.



- A microphone using a permanent cross-over adapter will be shown with a power connector battery symbol. A permanent cross-over adapter is one where the microphone does not use batteries.



- A battery symbol with a +/- indicates a non-rechargeable battery or wrong battery type. Such a battery will not charge when placed in the charger tray.



- The type of a battery is only determined when the microphone is placed in a charger after inserting a new battery. Up until this time the battery symbol will show a battery with a question mark in it, indicating that the battery type is unknown.



- Low battery, under 10% remaining.



- Very low battery, under 5% remaining.

On the gain screen, this row will not show battery information, instead having a row of digital gain “knobs” that will match the gain shown in the meters above them.



- Gain knob

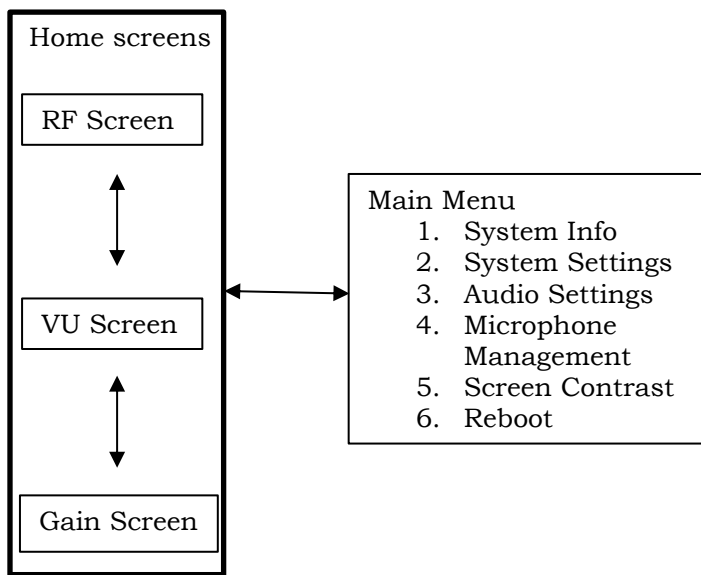
---

<sup>1</sup> It might take a few minutes for the charge symbol to appear after a microphone was placed in the charger.

## Front Panel Menu Tree

The menu tree is navigated by using the “Right” button to enter a menu, the “Left” button to leave a menu, and the “Up” and “Down” buttons to scroll between the options in the menu. With the “Enter” button a menu entry is selected – if it is a sub menu, the submenu will open, if it is a check box this will either check or un-check the option, and if it is a selection (“radio button”) it will select that value. If it is a value entry, it enables the “Up” and “Down” buttons to change the value. Pressing enter again in that case will store the value and leave the data entry mode.

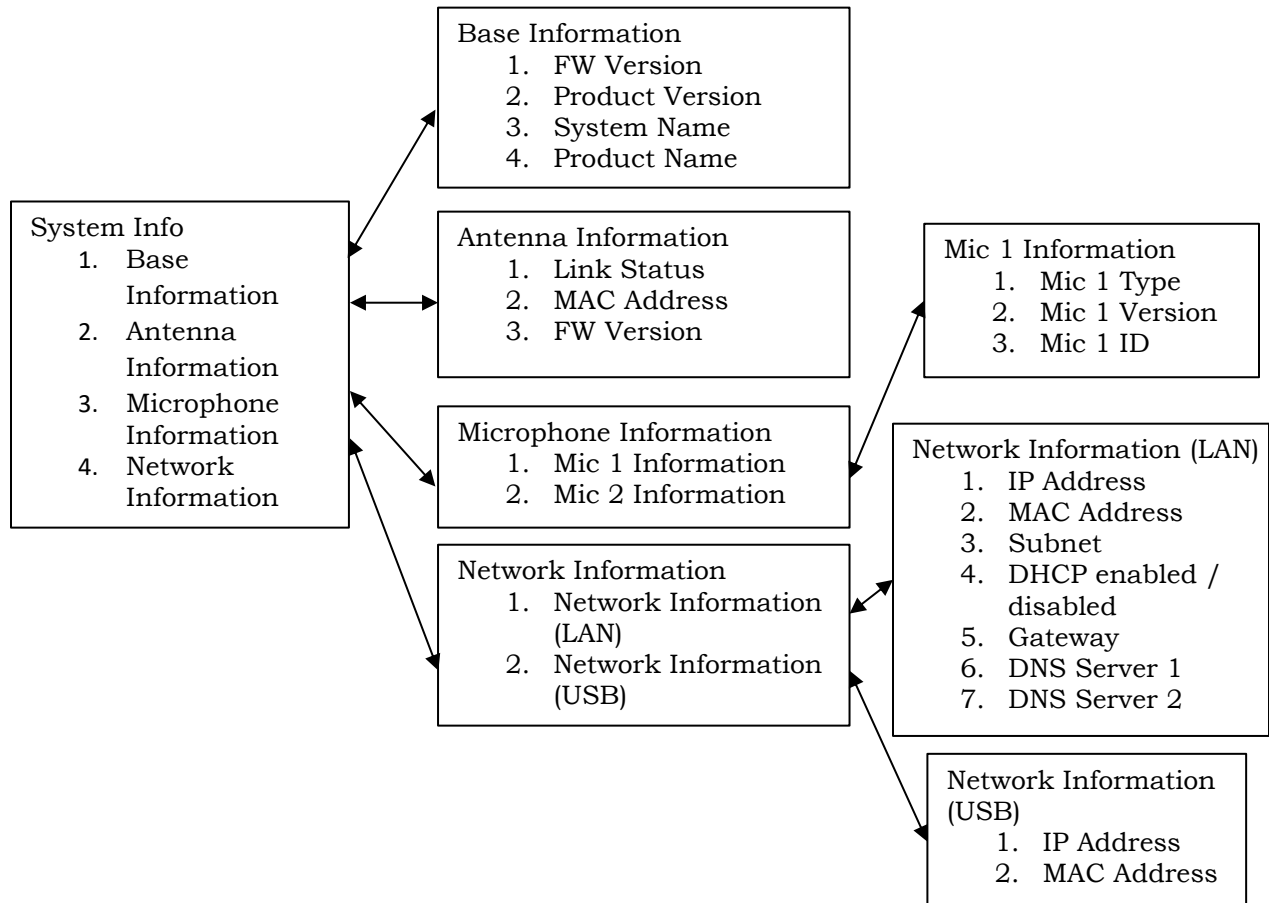
## Main Menu



In the main menu the first five options are sub menus that are described below. The fifth entry “Screen Contrast” controls the contrast of the front panel when selected, and the sixth entry “Reboot” reboots the system.

## System Information

The first option in the Main Menu is System Information. System Information offers information on the Base DSP unit, the Remote Antenna Receiver, the Microphones, and the available network connections. None of the information in this menu and the submenus can be changed.



Base Information provides information on the current firmware running on the base DSP unit, the product version, product name, and system name.

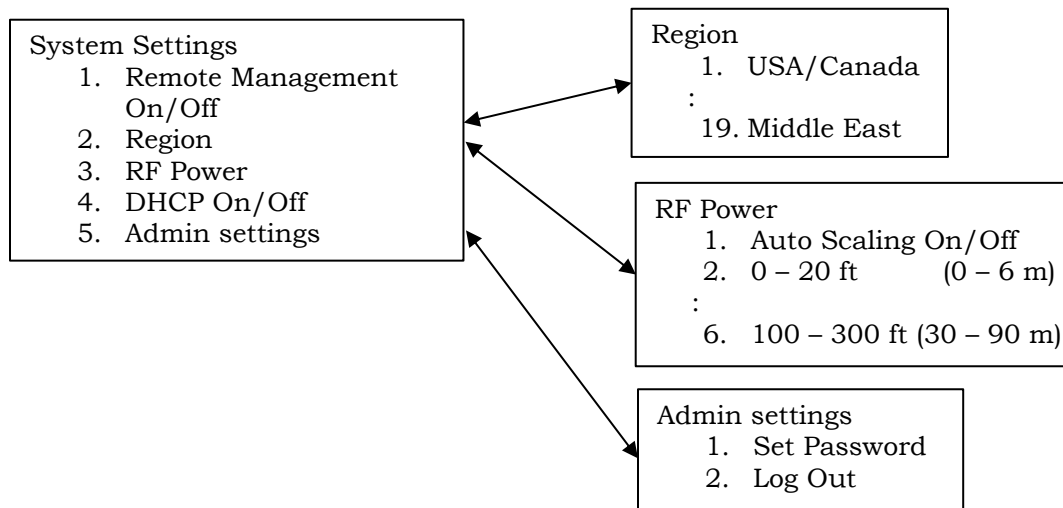
The Antenna Version menu indicates whether the link to the antenna is up or down, shows the Mac address of the remote antenna, and lists the Firmware version of the software running on the Remote antenna.

In the Microphone Information submenu paired microphones are listed. Selecting any of these microphones will present the information on that specific microphone, including microphone type, firmware version, and the ID of the microphone.

In the Network Information section the two different networks available to the user are each given a submenu. Network Information (LAN) provides

information about the standard LAN connection, including whether DHCP is enabled or disabled, the IP address of the base DSP unit in the LAN network, the MAC address of the interface, as well as other network information. The Network Information (USB) option provides network information for the USB connector on the front of the Elite base DSP.

## System Settings



The System Settings submenu allows the user to control some of the Executive Elite's system settings.

The Remote Management checkbox at the top of the menu enables and disables the room control (CLI) interface on the base DSP unit.

The Region menu allows selecting the region in which the Executive Elite system is used.

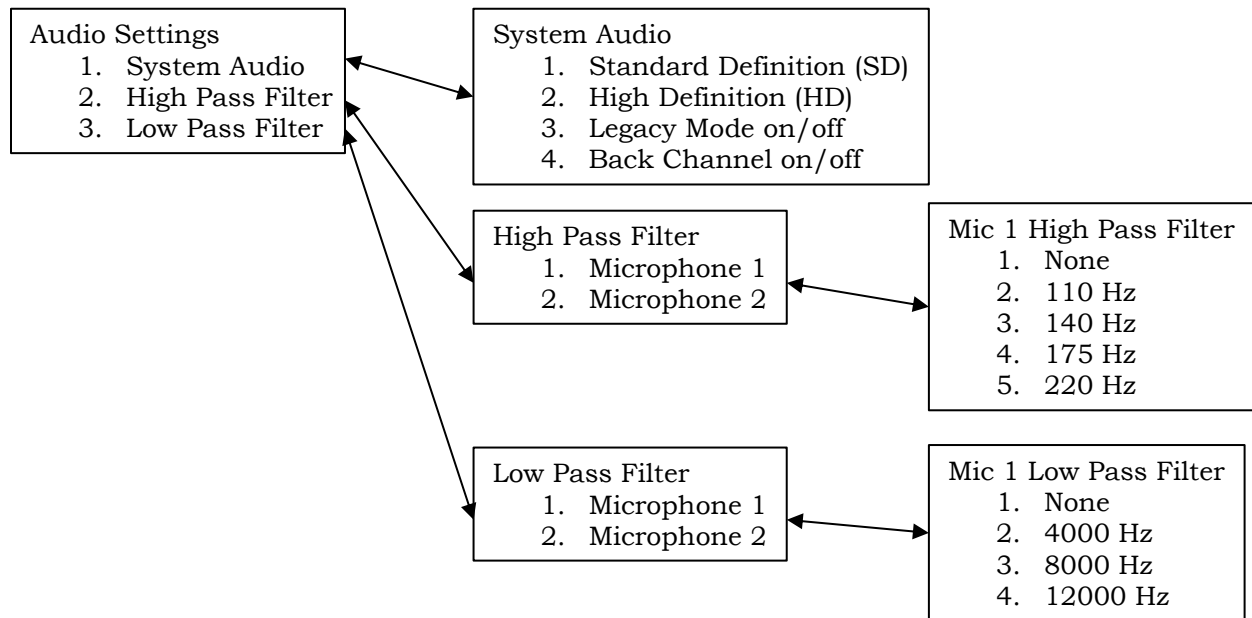
**NOTE:** You need to select the region or country you are using the system in. As part of this selection the frequency band in which the Executive Elite system operates is selected. Selecting a country or region different from the one you are in might revoke the right to use the system. If you are unclear which region or country you should select, please contact Yamaha Unified Communications Inc. support. [uc-support@music.yamaha.com](mailto:uc-support@music.yamaha.com)

The RF Power settings allow adjusting the RF signal strength of the receiver, limiting RF traffic and interference with other areas. It is recommended to select an RF setting that provides good RF coverage with minimal local area interference. An RF Power setting that provides a signal strong enough for a microphone to be 150 – 300 feet away from the remote antenna receiver might also be seen by other Revolabs devices in the vicinity. We recommend testing with different RF settings and using the RF Spectrum Analyzer in the local web UI to gauge the effect of the different settings. Auto Scaling should be disabled,

except in high RF environments as it allows the system to automatically reduce RF power when it is not required.

In the Admin Settings menu the standard password used on the local web UI and the front panel can be changed. The user can also log-out of the front panel from here.

## Audio Settings



The Audio Settings section allows changing audio properties of the Executive Elite system.

The System Audio submenu controls the partitioning of the available RF space, controlling the number of bytes allocated to transport the audio data between microphone and the base DSP unit.

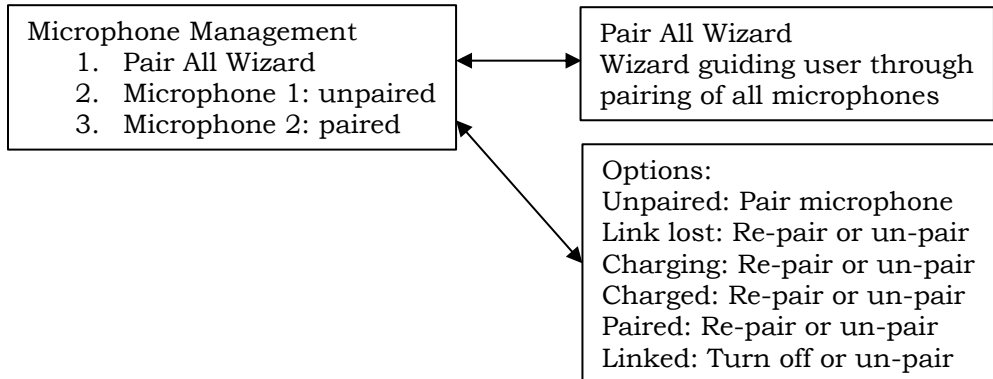
Standard Definition (SD) reserves less RF space per microphone channel, reducing the audio quality slightly as a higher compression has to be used. High Definition (HD) allocates more RF space per microphone channel, increasing the audio quality.

The back channel audio checkbox enables or disables return audio from the base to the Executive Elite microphones. If back channel audio is not used, this option may be switched off. If the Executive Elite system is used in Legacy HD mode, the checkbox cannot be unselected, as legacy systems require the audio back channel.

**NOTE:** The RF analyzer page in the local web UI shows the use of the RF space.

The High-Pass and Low-Pass filter menus manage audio filters for each microphone. High-Pass filters should be used in rooms that have high level of background noise from air conditioners, projectors, etc. Low-Pass filters should be used in applications and installations that do not support wide band audio to ensure that no unwanted side effects occur.

## Microphone Management



Pairing and un-pairing of microphones is managed by the Microphone Management menu.

The “Pair All Microphones Wizard” guides the user through pairing of microphones to all channels and should be used when installing a new system or when all microphones on an existing system are being exchanged. The wizard allows channels to be skipped during the process, and may therefore be used to pair less than a full set of microphones to a system as well.

Selecting an individual microphone will open options based on the current status of the microphone on that channel. Any channel with a microphone paired to it can unpair that microphone. A microphone can also be re-paired, deleting the current pairing information on the base DSP unit, and starting the pairing process. The last option in this menu only appears when a paired microphone is active (linked). A linked microphone may be shut down remotely by selecting “Turn off”.

If no microphone was paired to the selected channel, the menu will only offer the pairing option.



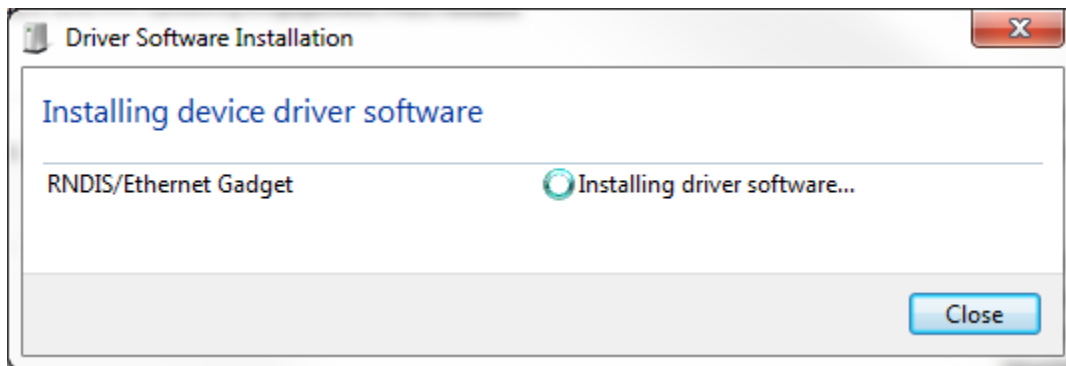
## Local Web UI

The local Web UI allows managing an Executive Elite base DSP unit through a web browser. The local web UI can be accessed either through the IP network if the Executive Elite base DSP unit is connected to the LAN using an Ethernet cable, or through the USB connector in the front of the base DSP unit. When using the USB connector the factory default IP address to connect to is 192.168.10.4.

**NOTE:** Supported web browsers are Microsoft Internet Explorer, Microsoft Edge, Google Chrome, and Mozilla Firefox.

## Connecting to the local web UI

When connecting a Computer for the first time using the USB interface, the PC may need to install driver software to enable web access through the USB port. This installation could take several minutes. During this time an installation message like this might be shown on the Computer:



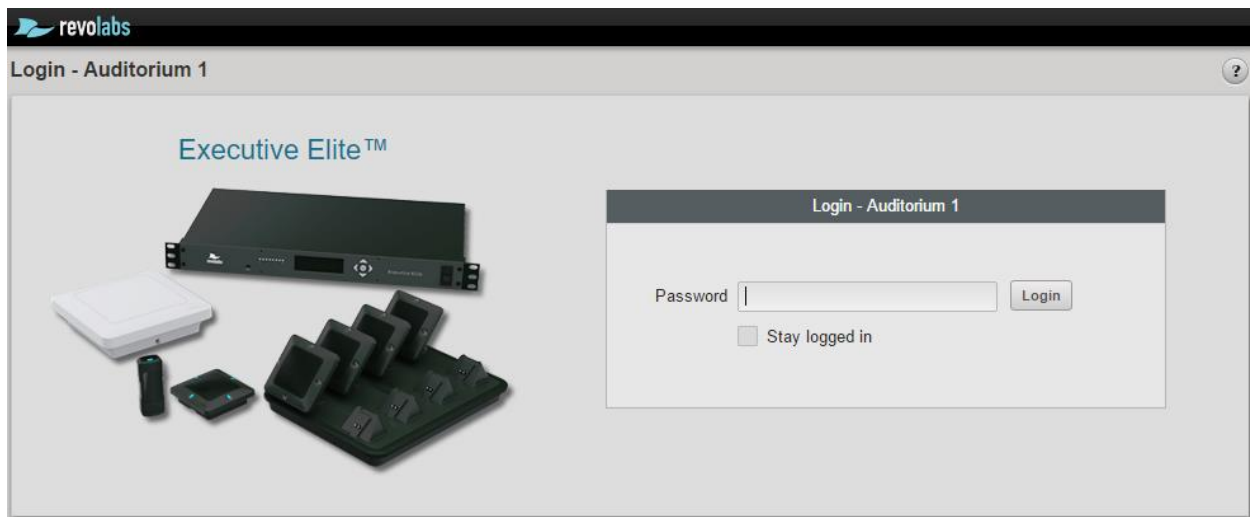
**NOTE:** If you do not see this or a similar message, the driver may not have been successfully installed. If this occurs, connection to the web interface of the Executive Elite System cannot be established through the USB port. This is likely due to your computer's driver update configuration. If the problem continues, please check if your computer has 'auto update' disabled and/or contact your administrator.

Once the driver is installed, the front panel LCD will show an overlay with the IP address for the USB interface. The IP address of the USB interface can also be found by visiting Main Menu – System Information – Network Information – Network Information (USB).

If the Executive Elite Base DSP unit is connected to the LAN, you can also use a computer on the same subnet with no firewall in between to access the web UI interface. The Elite system is factory pre-configured for DHCP and will request an IP address from your DHCP server. The IP address of the LAN interface can be determined through the front panel interface by visiting Main Menu – System Information – Network Information – Network Information (LAN).

## Logon page

Open a supported web browser on your Computer or laptop and type in the IP address of the Executive Elite Base DSP unit. Once the web browser connects to the Executive Elite base DSP unit, it will show the logon page, asking for the system password. The password for the local web UI and the front panel is shared, and the factory default is 7386. If this password is changed, either through the front panel or the web UI, both interfaces will require the new changed password.

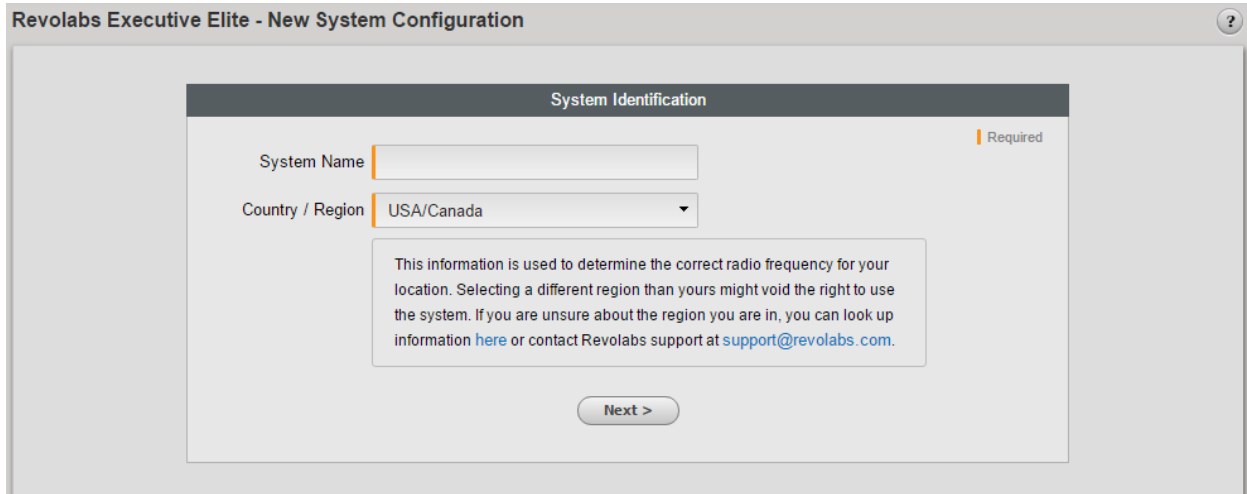


After entering the password and clicking on the Login button, the web interface will progress to the next page.

The checkbox on the bottom of the password entry form will prevent the Web UI from timing out during a period of inactivity. The Web UI will still log out 60 seconds after the browser window is closed. When selecting this option remember to log off through the web interface, or close your web browser before leaving the computer.

## First time usage

When installing the Executive Elite Base DSP unit and opening the web interface for the first time, the system will require some system wide settings that need to be made before the system becomes operational. Webpages to make these selections will be opened first.



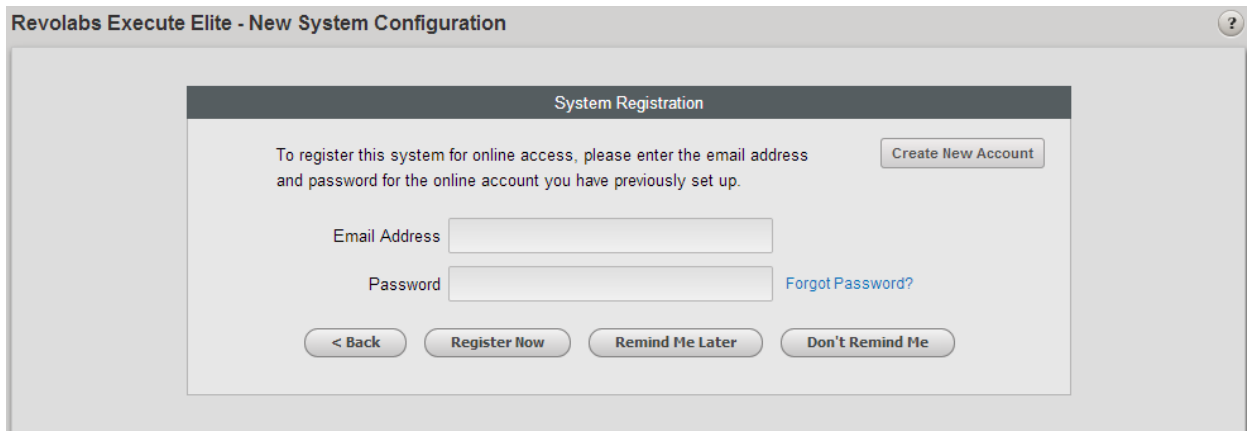
The screenshot shows a web browser window titled "Revolabs Executive Elite - New System Configuration". The main content area is titled "System Identification" and contains the following elements:

- A text input field for "System Name" with a "Required" indicator to its right.
- A dropdown menu for "Country / Region" currently set to "USA/Canada".
- A text box containing the following information: "This information is used to determine the correct radio frequency for your location. Selecting a different region than yours might void the right to use the system. If you are unsure about the region you are in, you can look up information [here](#) or contact Revolabs support at [support@revolabs.com](mailto:support@revolabs.com)."
- A "Next >" button at the bottom center.

The New Systems Configuration page asks for system information. The system name will help identifying the system in multi-system installations. It is mandatory to provide a name. Country/Region is required to define wireless settings in the system. You need to select the country or region in which the system is being used.

**NOTE:** Selecting a different region than the region you are using the system in may void your right to use the system! If you are unsure about which region to select, please contact Yamaha Unified Communications, Inc. support at [uc-support@music.yamaha.com](mailto:uc-support@music.yamaha.com)

Click Next once you have provided the information on this page.



The screenshot shows a web browser window titled "Revolabs Executive Elite - New System Configuration". The main content area is titled "System Registration" and contains the following elements:

- Text: "To register this system for online access, please enter the email address and password for the online account you have previously set up." A "Create New Account" button is located to the right of this text.
- Input fields for "Email Address" and "Password". A "Forgot Password?" link is positioned to the right of the password field.
- Four buttons at the bottom: "< Back", "Register Now", "Remind Me Later", and "Don't Remind Me".

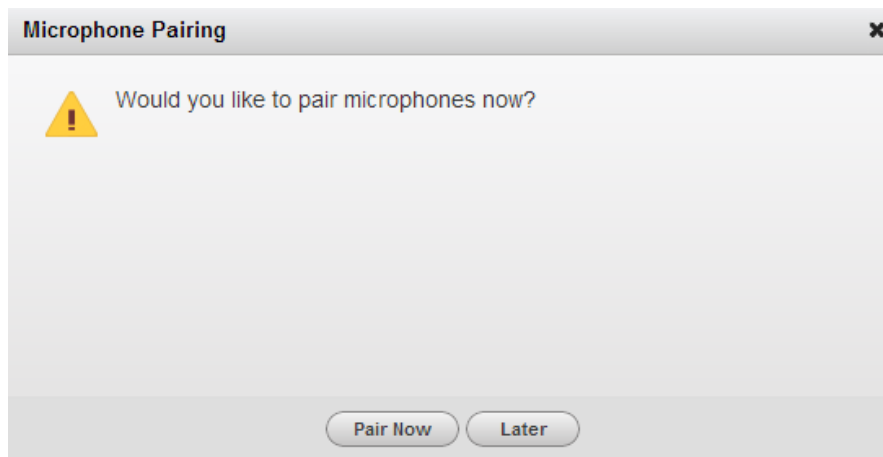
The New System Configuration page allows registering the Executive Elite with an existing revoCloud account. If a registered user email and password are

provided, the Elite Base DSP unit establishes communication with the Cloud Server and adds its information to the system registry on the server.

The Create New Account button will bring up a registration window to create a new account on the Cloud Server. Further details on this process are provided in the revoCloud section of this document.

If the Elite System will not be registered with the Cloud Server at this time, Remind Me Later will close the window, and remind the user to register after the next login. “Do not Register” will skip the registration, and will not remind the user to register the system later. The Elite System can always be registered at a later time through the local management interface.

After leaving the System Registration page, a popup will appear, asking if microphones should be paired now or later.



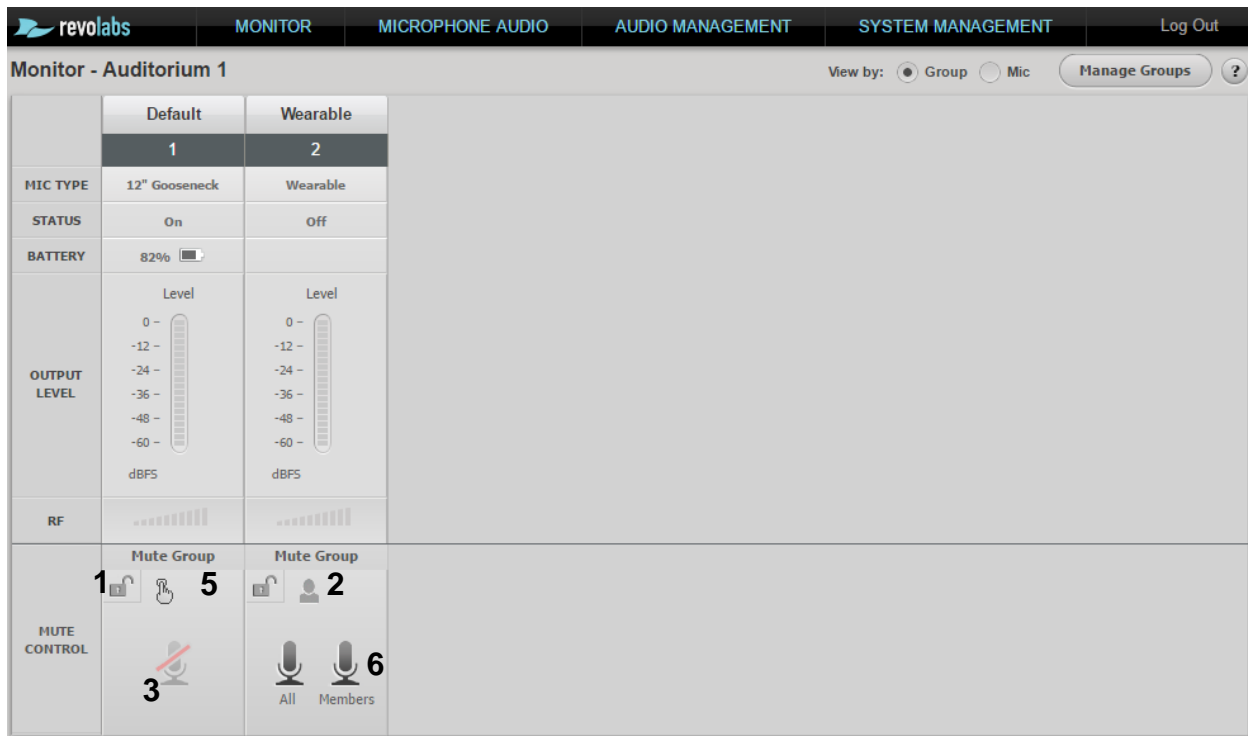
If the microphones are ready to begin pairing, a short pairing wizard will walk the installer through the process of pairing them to the available channels. If microphones are not ready to be paired at this time, they can be paired from the Web interface later on.

Once pairing is finished, or if “later” was selected on the pairing page, the Local Web UI will redirect to the Monitor page. This page will also be the first page to come up after logging in on all future visits to the Web UI.

## Monitor Page

The Monitor page provides current status information for the microphones in your current system. The page lists the microphone channels, either in numerical order or sorted by groups, and information on each channel. If no microphone is paired on a channel, a pairing button is provided to pair a microphone.

The top line provides the group name. Factory preset, all microphone channels are assigned to a group called “Default”.

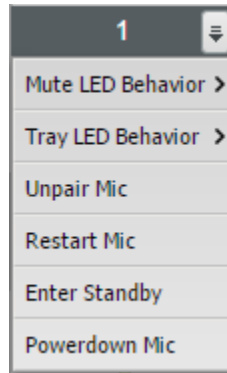


- 1 – Mute Lock Button – Enable or Disable mute from the microphone.
- 2 – Chairman Symbol – This Microphone is set as Chairman for its group.
- 3 – Individual Mute Button – Works like the microphone’s mute would, but through the Web UI.
- 4 – (Not in graphic) Tabletop Mute Symbol – Indicates Tabletop mode.
- 5 – Push-to-Talk Mute Symbol – Indicates Push-to-Talk mode.
- 6 – Chairman Mutes (All and Members) – Mute all microphones in the group or mute every microphone besides the chairman.
- 7 – Microphone Dropdown Menu – Appears when mouse is hovered over the column. Click for Microphone menu.

For a paired microphone, the Monitor page provides the type of microphone, the current status, the battery charge percentage, the current audio output level, and the strength of the radio signal of the microphone as detected by the remote antenna. The Mute Control area provides information on mute group settings and the current mute setting per microphone or per group. This area allows changing microphone settings, from locking a microphone mute button to muting and unmuting microphones based on the group settings. The microphone symbols reflect the current mute status for each microphone.

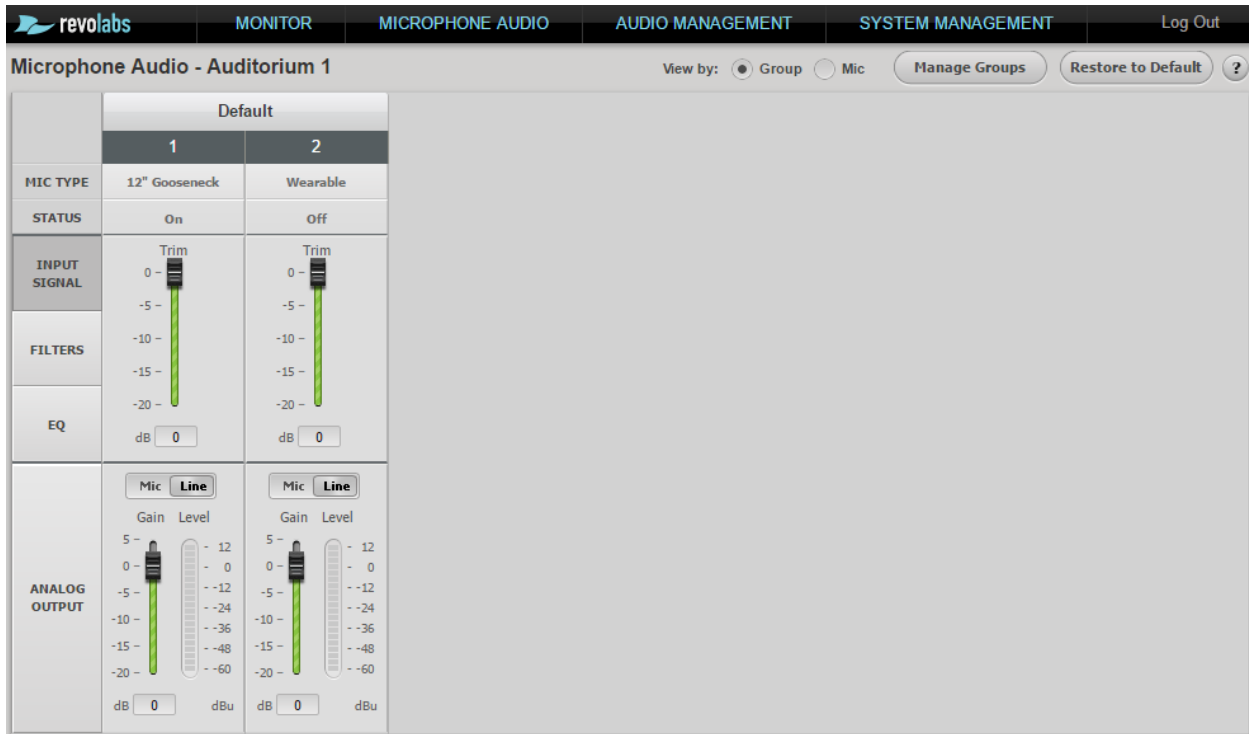
If it is preferable to view microphones in numerical order, rather than by group, the “View By:” option at the top right of the page will change the view mode. Beside this option, the Manage Groups button will navigate to the Group Management page, also found under the Audio Management menu.

Both the Monitor and Microphone Audio pages have a microphone control dropdown menu accessible from the microphone tables. To open the menu, hover over the desired microphone's column and a black-on-white arrow button will appear in the upper right corner. Clicking the arrow opens the microphone control menu, allowing access to the following options:



- Mute LED Behavior – Hovering over this selection will open a sub-menu allowing changes to the LED mute behavior of the microphone. Factory default is Flash Green / Red for unmuted/muted behavior. This can be changed to Solid Green/Red, or Solid Green/Off. Please be aware that selecting Solid LED behavior influences the maximum talk times of the microphones. The LED mute behavior is set per microphone.
- Tray LED Behavior – Hovering over this selection will open a sub-menu allowing changes to the LED behavior of the microphone while in the charger. Factory default is solid red while charging / solid green for a fully charged microphone. This can be changed to flashing red for a charging microphone and solid red for a charged microphone. The charging LED behavior is set system wide – changing the setting for any microphone will affect all microphones.
- Unpair Mic – The selected microphone will be unpaired from the Elite Base Unit. The microphone will not relink if turned back on.
- Restart Mic – The selected microphone turns off and reboots, relinking after it turns back on.
- Enter Standby/Leave Standby – All microphones in the same group as the selected microphone will enter standby mode. In this mode, the microphone will show a single Yellow blink every 10 seconds. Standby mode uses minimal power, and can be turned off by touching the microphone's mute or selecting “Leave Standby” in the microphone control dropdown.
- Power down Mic – The selected microphone is powered off, but not unpaired. Turning the microphone back on will cause it to relink.

# Microphone Audio Page



The microphone audio page allows setting audio parameters for each microphone individually. The page is structured into two areas. The top area is set up for adjusting the input signal, and processing the signal by applying filters, and EQ settings to the audio. The bottom of the table is focused on output signal and an output gain stage as well as the microphone/line level setting for the analog audio output.

## Input Signal

The Input Signal area allows trimming the input signal for each microphone separately, allowing for input levels of different microphones to be optimized individually.

For XLR and TA4 adapters, an additional pre-gain stage is offered. The Revolabs microphones (omni-directional, directional, gooseneck, and wearable) are set to provide signals on the same level with a focus on providing the best signal to noise ratio with the lowest risk of clipping of audio. XLR and TA4 adapters' third party microphone elements are provided by the customer. The pre-gain stage is provided to enable greater control over leveling the analog signal of these microphones for highest signal levels without clipping. Please ensure that signals are correctly set based on the microphone elements used with these adapters.

## Filters

High-Pass and Low-Pass filters are provided to adjust to room and application requirements. Use the High-Pass filter in rooms that have a high background noise in the low frequencies (air conditioning, lighting fixtures, etc.). The Low-Pass filter allows limiting high frequencies, based on the applications used. All filters are bi-quad filters, reducing the signal by 6dB per octave.

## EQ

The EQ works in four bands.

<b>Band</b>	<b>Start Frequency</b>	<b>Center Frequency</b>	<b>End Frequency</b>
Low	100 Hz	150 Hz	250 Hz
Low-mid	250 Hz	489 Hz	1,000 Hz
Mid-hi	1,000 Hz	1,739 Hz	3,000 Hz
Hi	3,000 Hz	4,450 Hz	6,000 Hz

Gain adjustment is up to +/- 10dB around the center frequency within the band, with drop-off to 0dB adjustment at the border frequencies.

## Output

The VU meter shows the audio signal as provided to the analog ports. The final gain stage provided here allows gain or trim to be applied to the signal before it leaves the Executive Elite Base unit. “Line” level output provides the signal with an additional 20dB gain compared to the “Mic” level output.

## Audio Management

The Audio Management menu houses the Manage Groups and System Audio pages.

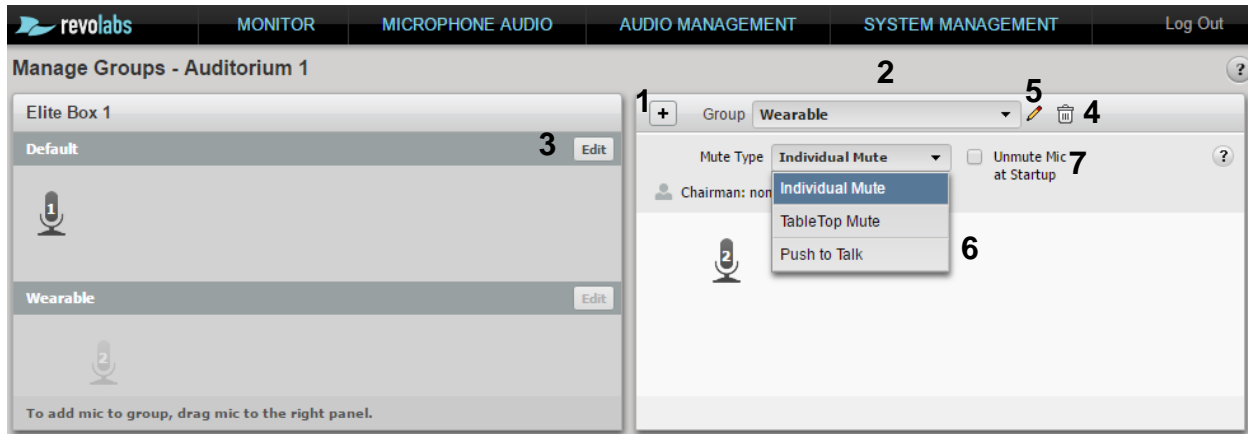
### Manage Groups

Microphone groups allow defining different mute behavior between individual microphones or groups of microphones. Microphones in one Executive Elite System can be assigned to any microphone group. Each group can then be assigned a specific mute behavior.

**NOTE:** Up to 10 Mute groups can be created within one Executive Elite base DSP.

All Executive Elite base DSP units have one group called “Default” which contains all microphones of a newly configured system.





The Manage group screen shows a list of the groups defined for this system on the left, and the currently active group on the right side.

Pressing the “+” sign (1) in the top left of the right column will create a new group. A group name needs to be entered to create the group. Each Executive Elite Base DSP unit can have up to 10 mute groups.

To manage and change a group, the group needs to be the active group on the right side of your screen. The group name of the active group is shown in the Group field (2). To select a different group as the active group either select it from the drop-down in the Group field in the right column, or click on the “Edit” button (3) of that group in the left column. The group will now be opened on the right side of the screen.

To delete the active group click on the trash can symbol (4). The only group which cannot be deleted or renamed is the “Default” group.

To change the name of the active group click on the pen symbol (5) and enter the new name.

Once a group is active for management microphones can be added to it. Select any microphone currently in another group listed in the left column, and drag it over to the right column to add it to the active group.

To remove a microphone you can mouse over the microphone you want to remove, and click the “x” symbol on the top right, automatically adding that microphone to the “Default” group.

To define the mute behavior for the active group select the mute behavior from the Mute Type drop down list(6), see page 87 for information on the different mute group options.

The “Unmute at Startup” checkbox (7) next to the Mute Type menu determines whether microphones start unmuted when linking to the base, or muted.

Chairman microphones provide a separate level of control to one microphone in a group. Independent of the selected mute group behavior, the chairman microphone in any group can mute all other microphones in that group. A chairman mute cannot be undone by the non-chairman microphones. The chairman has to unmute the group before the mute button on the other microphones can control the mute behavior again.

Chairman mute passes through three stages. First, the chairman mutes all microphones except itself. Touching the mute area again, all microphones in the group, including the chairman, are being muted. The next touch on the mute area will unmute all microphones. Please note that while the chairman mutes all other microphones in the group except itself, the green LED on the microphone blinks in a more rapid pattern to identify this stage. Even when constant LED mute behavior is selected, in this case the LED will blink green.

When the group is not in Chairman Microphone mute, the microphones react as defined in the mute setting for the group.

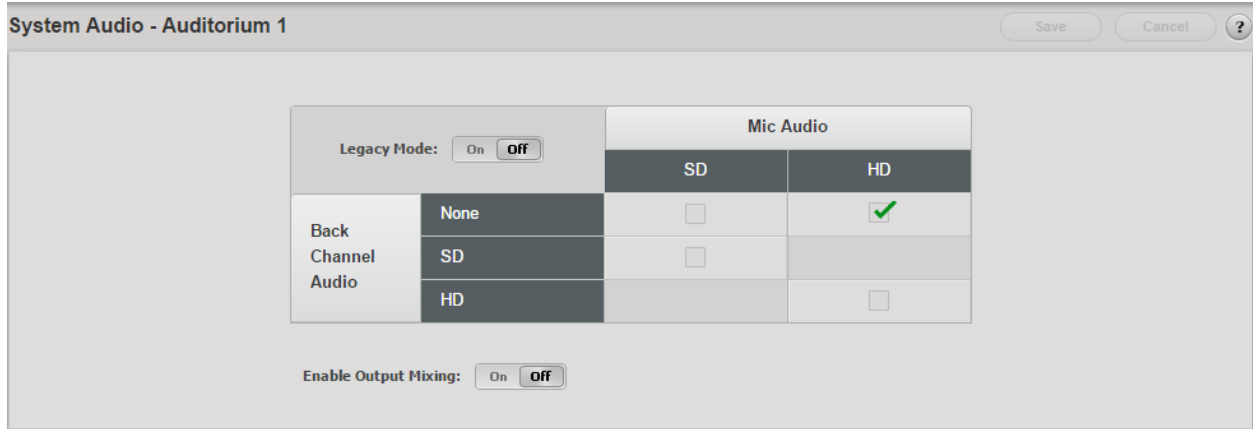
To select a chairman microphone, move the mouse to hover over that microphone and the chairman symbol will appear under the microphone. Click on the chairman symbol to make that microphone chairman. To remove chairman rights from that microphone, click on the symbol again.

When selecting a microphone as the chairman, mute settings for the group will automatically change to “Individual Mute” and “Unmute at Startup”. These settings can be changed afterwards if required.

Only one chairman microphone may exist in any one group. Setting another microphone in the group as chairman will revoke the previous chairman’s rights and transfer it to the new chairman microphone.

## **System Audio Settings**

The System Audio Settings Page allows selecting the audio compression in the system, as well as selecting whether microphone audio should be mixed or not.



Microphone audio can either be Standard definition (SD), or High Definition (HD). HD audio provides double the bit rate for audio transfer over the wireless link per microphone.

Back channel audio is audio delivered to a wearable microphone, an XLR adapter, or TA4 adapter. If back channel audio is selected, it will be of the same audio format as the microphone audio. In applications where the back channel audio is not required it can be switched off.

Enable Output Mixing allows mixing the audio of microphones one and two. If this is off, the audio of each microphone is delivered separately to the two outputs. If Output Mixing is enabled, the two outputs will both receive the mixed audio signal.

## System Management

The System Management section of the local web user interface contains information on the Executive Elite system and its components, as well as system settings. The various submenus are described below.

## System Information

General Info	
Product Name	Executive Elite
System Name	Auditorium 1
Serial Number	VT4910000815
Firmware Version	1.1.6.515

Remote Antenna Receiver	
MAC Address	AC:44:F2:04:DB:4F
DECT IDs	026B25CEE6
Link Status	UP
Firmware Version	1.1.6.515

Mic	1	2
Mic Type	12" Gooseneck	Wearable
DECT ID	026B2B009B	026B2FFDAD
Version	1.1.6.515	

Base Digital Signal Processing Unit	
MAC Address	AC:44:F2:04:49:A2
External IP Address	10.134.123.202
USB IP Address	192.168.10.4

The System Information page provides information on the Executive Elite's components.

"General Info" displays the System Name, the serial number, and the base firmware version.

The "Remote Antenna Receiver" section shows the antenna's MAC Address, the DECT ID for the baseband (antenna), and the antenna firmware version. This section also includes information on whether the antenna is currently connected or not.

Across the middle of the page, the two microphones are listed by channel, with their microphone type, DECT ID, and the current firmware version provided. A channel with no microphone paired will show no information.

The "Base Digital Signal Processing Unit" table displays the Base's IP Address, MAC Address, and the static IP Address used by the USB port on the front of the base. Any changes made to this information through the Network Management page will be displayed here.

## System Configuration

The System Configuration page allows setting several of the system configuration values, including system name and region. Changes to any entry

on this web page only take effect when clicking the Save button. Leaving the page without previously saving changed information will discard the changes.

The screenshot shows a web browser window titled "System Configuration - Holger's test". The interface is divided into several sections:

- General Info:** Contains fields for "System Name" (Auditorium 1), "Password" (masked with dots), and "Confirm Password" (masked with dots). There is also a toggle for "Enable Telnet Server" currently set to "On".
- Language / Country:** Contains dropdown menus for "Language" (English) and "Country / Region" (USA/Canada).
- Date / Time:** Contains a dropdown menu for "Time Zone" (GMT-5:00 Eastern Time).
- Front Panel Configuration:** Contains a toggle for "Base Pairing Lock" currently set to "off".

Buttons for "Save", "Cancel", and a help icon (?) are located in the top right corner.

System Name allows changing the descriptive name under which a system is being identified. It is recommended to select a name that helps identifying a system in the cloud web UI.

To reset the system password used on the front panel user interface and the local web interface enter the new password in the password field, and confirm it in the confirm password field before saving. The password needs to be numeric, and has a minimum length of 4 digits.

The Enable Telnet Server setting will enable or disable telnet access to the Base. Please note that if this setting is set to 'Off' the Telnet option for servers on the External Control Page will not function.

Selecting "Base Pairing Lock" will disable the pairing functionality from the system's front panel. Even if Base Pairing is not locked, the front panel requires the password before allowing pairing of microphones.

A clock tuning option might be available on some systems. It should remain set to Default unless advised by [uc-support@music.yamaha.com](mailto:uc-support@music.yamaha.com) to change that setting.

## Network Management

On this page Network Information for the Executive Elite is organized for easy access and management.

The screenshot shows the 'Network Management - Auditorium 1' web interface. At the top, there is a navigation bar with the 'revolabs' logo and menu items: 'MONITOR', 'MICROPHONE AUDIO', 'AUDIO MANAGEMENT', 'SYSTEM MANAGEMENT', and 'Log Out'. Below the navigation bar, the page title is 'Network Management - Auditorium 1'. The interface is divided into several sections:

- DHCP:** A section with a 'DHCP' label and a toggle switch currently set to 'On'.
- IP:** A section for static IP configuration with fields for 'Static IP Address', 'Subnet Mask', 'Default Gateway', 'DNS1', and 'DNS2', each represented by four input boxes separated by dots.
- USB IP:** A section for USB IP configuration with fields for 'Static IP Address' (pre-filled with 192, 168, 10, 4) and 'Subnet Mask' (pre-filled with 255, 255, 255, 0).
- NTP Servers:** A section titled 'NTP Servers' with a 'Server Addresses' label and a list of three server addresses: '0.pool.ntp.org', '1.pool.ntp.org', and '2.pool.ntp.org'.

At the top right of the main content area, there are 'Save' and 'Cancel' buttons, along with a help icon (question mark).

The DHCP section allows enabling or disabling DHCP on the Executive Elite base DSP. If DHCP is enabled, the Executive Elite base DSP will request an IP address from your DHCP server.

If DHCP is disabled, the IP section allows setting a static IP Address and other network information. While DHCP is enabled, these fields cannot be accessed and changed; enabling DHCP will delete any data previously entered into the static address fields.

It is important that this information be filled out correctly before saving changes, as otherwise the Executive Elite system will not be accessible through the IP connection.

**NOTE:** If the network settings are configured incorrectly it can cause the Elite to become disconnected from the network, making access to the Web UI over the LAN impossible, even to fix the network configuration settings. However, the Web UI can still be accessed from the USB port on the front panel of the Elite. Connect your computer with the Executive Elite base's front panel USB port using a micro USB cable. If required, the operating system will install driver software on your computer. After that is complete go into the menu on the Front Panel LCD, where a popup should have

appeared, giving the static IP Address for the USB connection. Open a web browser and enter the IP Address, then log into the Web UI. Now you may correct any network settings to connect the executive Elite base to your IP network.

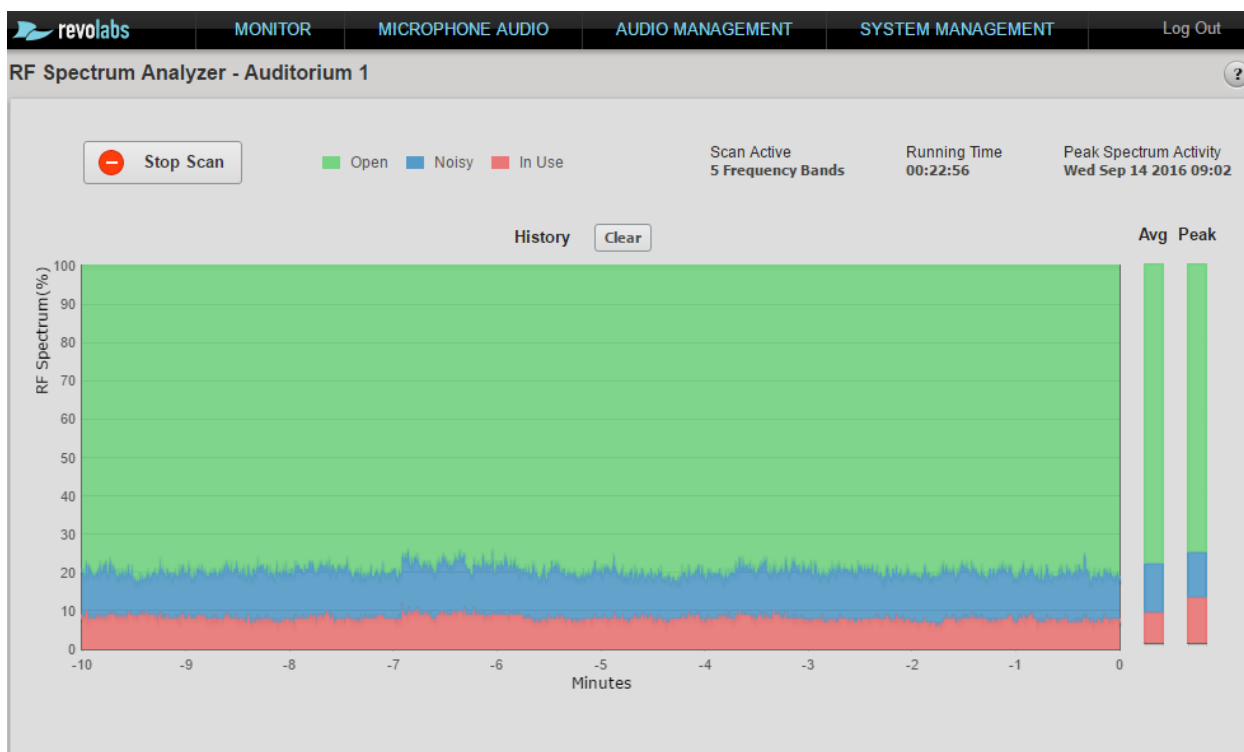
Below the IP information is the USB IP table. In this table the Static IP address and the subnet for the USB interface on the front of the Elite base are defined.

In the upper left is the Network Time Protocol (NTP) server table. List the NTP servers the Elite has access to in this area.

**NOTE:** The Cloud server requires that the system time on the Executive Elite base DSP is correct. If the NTP servers listed here are not reachable for the Executive Elite system and system time is therefore incorrect, access to the cloud server will be declined for the system, and it cannot be managed through the cloud server.

## RF Spectrum Analyzer

The Executive Elite’s Remote Antenna receiver has a built in RF Scanner which can be accessed through the “RF Spectrum Analyzer” page, providing a color-coded graph of the local RF environment activity.



After clicking the “Start” button in the upper left corner of the page, the graph will fill in from the right to left. The scan can be stopped at any time by

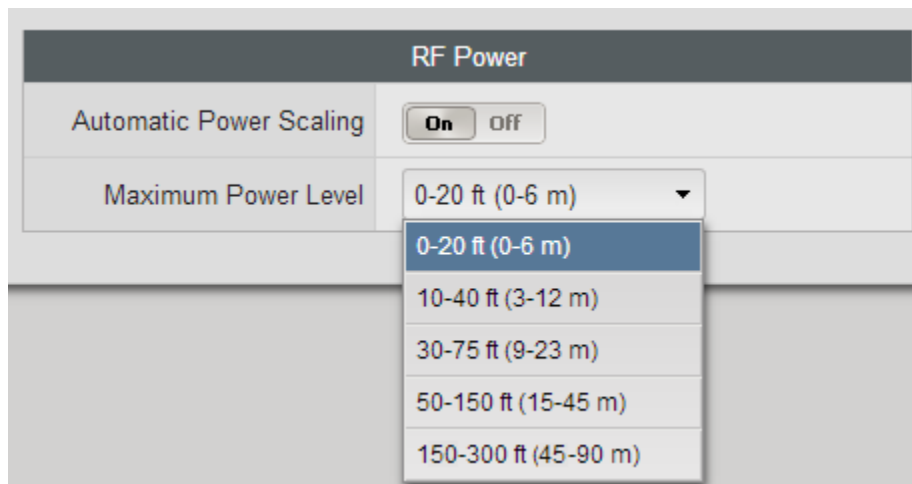
returning to the page and pressing the “Stop” button, but the information will be cleared from memory once the scan has been stopped and the page is redirected away from. To save the scan result, take a screenshot of the page before navigating away, and store it using your preferred image editing application.

If you navigate away from the page while a scan is running, the scan will continue in the background as other parts of the Web UI are used or even if the web interface is closed, as long as the antenna or base is not rebooted. However, only Average and Peak data will be calculated, no graphical data will be provided for such times.

The red part of the scan represents the percentage of the RF that is currently in use, the blue is RF space that shows noise, but could be used by the Executive Elite system, and green represents available RF space. As each snapshot of the RF environment is added to the graph, the average is calculated and displayed in a column beside it, and the peak activity so far is displayed next to that.

While the graph is set up to display information over a 10 minute period, the longer the scan is allowed to run, the better estimate it can provide on average and peak activity for the local RF environment. Running the RF scan does not impact microphone functionality. The scan can run while the microphones are being used with no impact on audio performance.

## RF Power



The power of the broadcast from an Executive Elite’s remote antenna can be set from the RF Power menu. The higher the RF power, the further microphones can be from the base, but the more impact the broadcast will have on other RF devices in the vicinity.



The different RF power settings provide suggested ranges in feet and meters for the maximum distance between the remote antenna and the microphones. While distances are provided in the setting, obstructions in a room do impact the maximum possible distance. Please keep that in mind when selecting a RF power level and testing connectivity.

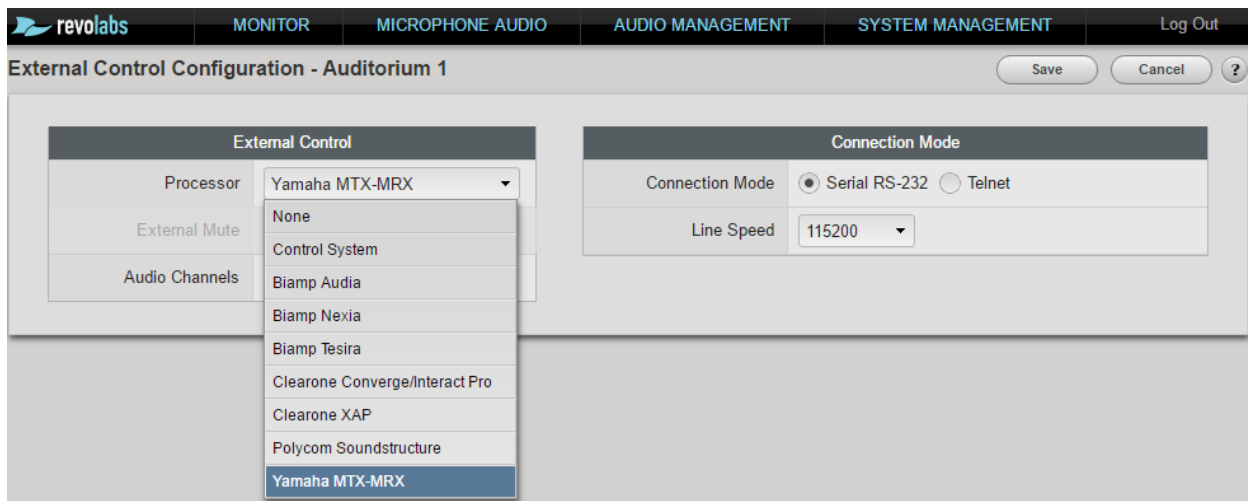
Automatic Power Scaling allows a microphone to detect the RF power coming from the antenna, and modify its own output. This way, a microphone closer to the antenna can reduce its RF impact by limiting the RF signal. Automatic Power Scaling should be enabled in installations that require high transmit power settings (long distances) and include multiple Executive Elite Systems.

We recommend experimenting with several different RF settings to find the best one for your RF needs.

## External Control Configuration

The External Control menu enables aspects of the Executive Elite to be controlled through a room control system or supported external DSPs.

When connected to an external DSP, the Elite can grant that device control over the mute and unmute status of its audio. Supported external DSPs can be selected from the external Mute drop down as shown below.



Select the Connection Mode used to communicate to the external system. If Serial connection is selected, select the baud rate from the opening window.

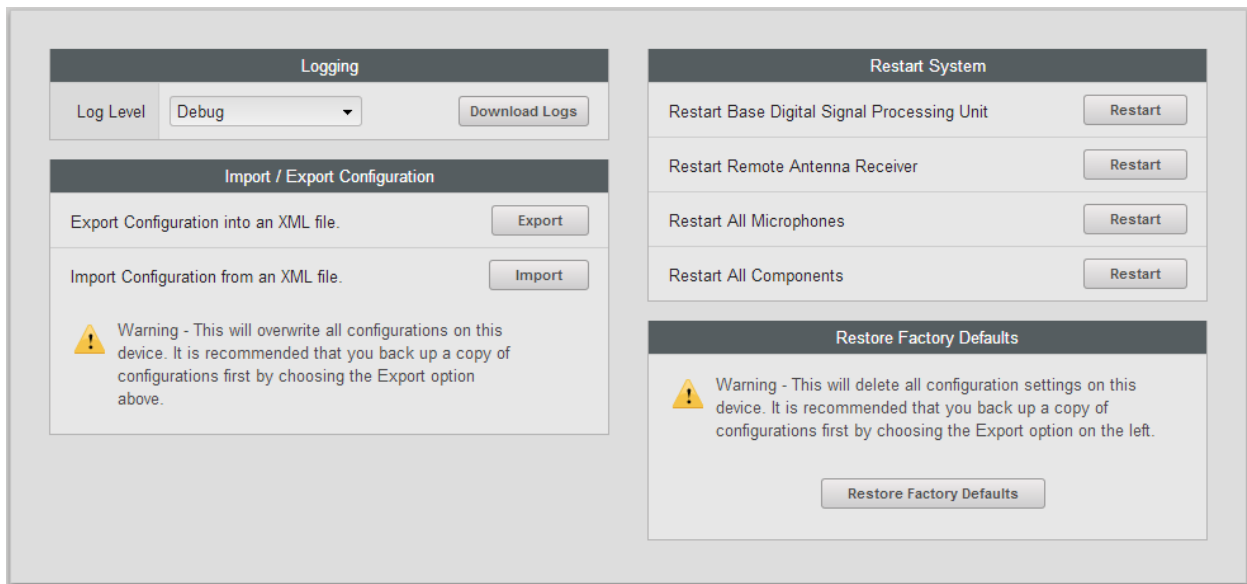
To set up connection to a Control System, the Elite can either be the Server or the Client. If Telnet is selected and the Executive Elite system is a client, the IP Address, login information and port number of the Control System (Server) must be entered.

## Administration

The Administration menu allows administrator level system control.

Under Logging, system logs can be downloaded for advanced system information. The dropdown menu can be used to choose the severity level of the messages that will be retrieved.

Below that, system configuration settings can be exported and imported. Importing a configuration will overwrite all currently active settings in this Executive Elite System. Export and Import can be used to easily duplicate settings from one Executive Elite Base DSP to another.



On the right hand side of the page, the components of the Executive Elite can be restarted independently or in groups.

Restart Base Digital Signal Processing Unit will restart the base and the remote antenna.

Restart Remote Antenna Receiver will force the Remote Antenna only to restart.

Restart All Microphones forces all currently linked microphones to restart.

Finally, Restart All Components forces the Base DSP unit, the Remote Antenna, and all linked Microphones to restart.

Restore Factory Defaults resets all settings in the Base DSP unit to the factory defaults, as listed in the table below. A Reset Factory Defaults will restart the initial installation dialog to collect system name and region. Cloud registration

information is not deleted as part of the system reset. If a system was registered before, the cloud registration window will not open. Microphone pairing information is also not affected by restoring Factory Defaults, previously paired microphones are still paired to the system. If microphones are paired, the microphone pairing dialog will not open.

## Factory Default Settings

Web UI Page	Feature	Default Setting
Mic Audio	Preamp Gain (XLR style microphones)	0 dB
Mic Audio	Input Signal Trim	0 dB
Mic Audio	High-Pass filter - all microphones	110Hz
Mic Audio	Low-Pass filter - all microphones	None
Mic Audio	EQ (4 bands) - all microphones	0 dB
Mic Audio	EQ Enabled - all microphones	Off
Mic Audio	Output Level (mic/line level) - all microphones	Line Level
Mic Audio	Analog Output Gain - all microphones	0 dB
Manage Groups	Group	Default (all other groups deleted)
Manage Groups	Chairman mic	None
Manage Groups	Group mute type (tabletop, push-to-talk, individual)	Individual
Manage Groups	Unmute at Startup	Off
System Audio	Legacy Mode	Off
System Audio	Mic Audio (SD, HD)	HD
System Audio	Back Channel Audio (None, SD, HD)	None
System Audio	Back Channel Audio Source (Analog)	Analog
Sys Config	System Name	<<empty>>
Sys Config	Password	7386
Sys Config	Enable / Disable Telnet connection	On
Sys Config	Language	English
Sys Config	Country/Region	<i>keeps previous value</i>
Sys Config	Time Zone	GMT
Sys Config	Base pairing lock	Off
Network Mgmt.	DHCP	On
Network Mgmt.	Static IP Address	<<empty>>
Network Mgmt.	Subnet Mask	<<empty>>

<b>Web UI Page</b>	<b>Feature</b>	<b>Default Setting</b>
Network Mgmt.	Default Gateway	<<empty>>
Network Mgmt.	DNS1	<<empty>>
Network Mgmt.	DNS2	<<empty>>
Network Mgmt.	USB Static IP Address	192.168.10.4
Network Mgmt.	USB Subnet Mask	255.255.255.0
Network Mgmt.	NTP Servers (4)	0.pool.ntp.org 1.pool.ntp.org 2.pool.ntp.org
RF Power	Automatic (on/off)	Off
RF Power	Max power level	30 - 75 ft.
External Control Config	External Control Processor	None
External Control Config	External Mute (on/off)	Off
External Control Config	Audio channels (1-2; 3-4; ... ; 31-32)	1-2
External Control Config	Connection Mode (Serial/Telnet)	Telnet
External Control Config	Line Speed (9600, 19200, 38400, 57600, 115200)	115200
External Control Config	IP Address	<<empty>>
External Control Config	Port	<<empty>>
External Control Config	Username	<<empty>>
External Control Config	Password	<<empty>>
Admin	Set Log level – dropdown	Debug
Online Access	Registered To	<i>keeps previous value</i>
Online Access	Disable/Enable online access	On
Front Panel	Display Contrast	15
Mic Audio	Preamp Gain (XLR style microphones)	0 dB
Mic Audio	Input Signal Trim	0 dB

## Serial Control Processor (Room Control Interface)

The Executive Elite Base DSP is capable of being monitored and controlled via a control system. Communication can either be over the serial port of the Executive Elite, or over an IP connection. If several Executive Elite Base DSPs are part of an installation, each requires its own connection to the control system in order to communicate.

To use the control system API, the External Control Configuration setting the type of external processor and the connection method has to be defined to match the external control system's settings.

Executive Elite supports server mode or client mode for the control interface. Selecting the right mode is required for correct interoperability with the connected control system.

When using a control system, the Executive Elite can be configured for external mute on the External Control Configuration page of the local web UI. When external mute is On, the Executive Elite base DSP will always pass audio, even when the microphones show that they are muted. In this case it is the responsibility of the installer to ensure that mute is performed in an external component of the installation.

**NOTE:** Both a control system and DSP cannot be connected to an Executive Elite Base Station at the same time. When using a control system and DSP at the same time, connect the Executive Elite Base DSP to the control system. The external DSP must be controlled by the control system as well.

### Serial Command & Return Strings

The Serial Strings of an Executive Elite Base Station begin with the Argument and terminates with a Carriage Return. The Command String structure is as follows:

<Argument> <Command> [ch <Channel #> <Value>] <CR>

The argument is either 'set' or 'get'. A subset of the available commands is listed below. For a full list of commands visit the "Executive Elite Control Interface" documentation.

If specific microphone channels are affected by the command, the string 'ch' is followed by the microphone number, and then the value which is sent ('set' command).

All variable changes on any microphone or the Executive Elite Base Station will result in a Return String. A Return String will begin with “val” and terminate with a Carriage Return. Return Strings will be received for every value change that has taken place in the microphones or base station including changes that are a result of a Command String sent to the Executive Elite Base Station, but also for changes initiated from the microphone or the web interface or front panel interface. The Return String structure is as follows:

```
val <Command> ch <Channel #> <Value> <CR>
```

Executive Elite’s Command interface is backwards compatible with Executive HD’s command interface. Control applications written to control HD systems will also work with Executive Elite systems. The Executive Elite system’s control interface has to be configured in the same way the Executive HD’s command interface was configured.

The Command Interface of the Executive Elite has been expanded significantly with additional and new functionality. These commands will not work with Revolabs Executive HD systems.

#### **Channel #:**

The options for the <Channel#> portion of the serial strings are 1-2 since each Base station can only control its own 2 microphones. The <channel#> corresponds to the channel number the microphone is paired to in the Executive Elite.

A <Channel#> of “A” will control all microphones.

#### **Examples:**

The following string would set microphone channel 2 to be the chairman microphone for its mute group:

```
Command: set chairmanmic ch 2 1 Return: val chairmanmic ch 2 1
```

The following strings would turn off the microphones on the Elite:

```
Command: set shutdownmic ch A Return: val shutdownmic ch A
```

The following strings would retrieve the battery status of microphone 1 @ 98%:

```
Command: get batterystatus ch 1 Return: val batterystatus ch 1 98
```

### String Tables:

The following table includes a number of the Elite's commands. Both Executive HD legacy commands and new generation Executive Elite commands will work when programing for the Executive Elite. Please consult the Room Control API document available in the support section on our website for the complete list.

Property/Action	Command Format	Description	Response
audioquality	get audioquality	Retrieve the audio quality setting, 1 - SD, 2 - HD.	val audioquality <1/2>
audioquality	set audioquality <1/2>	Configure audio quality setting, 1 - SD, 2 - HD.	val audioquality <1/2>
backchannel	get backchannel	Retrieve the back channel setting, 0 - off, 1 - on.	val backchannel <0/1>
backchannel	set backchannel <0/1>	Configure back channel setting, 0 - off, 1 - on.	val backchannel <0/1>
batterystatus	get batterystatus ch <channel number>	Retrieve the given microphone's battery status.	get batterystatus ch <channel number> <percentage>
chairmanmic	get chairmanmic ch <channel number>	Retrieve the given microphone's chairman state, For response, 0 - non-chairman, 1 - chairman.	val chairmanmic ch <channel number> <0/1>
chairmanmic	set chairmanmic ch <channel number> <0/1>	Configure the given microphone's chairman state, 0 - non-chairman, 1 - chairman.	val chairmanmic ch <channel number> <0/1>
chairmanmicgroup	set chairmanmicgroup ch <channel number> <group name>	Configure a microphone in a certain group to be chairman mic	val chairmanmicgroup ch <channel number> <group name>
chairmanmicgroup	get chairmanmicgroup <group name>	Get current chairman mic in the given group.	val chairmanmicgroup <group name> <mic id>
chairmanmute	get chairmanmute ch <channel number>	Retrieve the given channel's chairman mute state. 0 - all unmuted, 1 - members muted, 2 - all muted	val chairmanmute ch <channel number> <0/1>



Property/Action	Command Format	Description	Response
chairmanmute	set chairmanmute ch <channel number> <0/1/2>	Configure the given channel's chairman mute state. 0 - all unmuted, 1 - members muted, 2 - all muted	val chairmanmute ch <channel number> <0/1/2>
eq	get eq ch <channel number>	Retrieve the four EQ values associated with the given channel.	get eq ch <channel number> <eq1> <eq2> <eq3> <eq4>
eq	set eq ch <channel number> <eq1> <eq2> <eq3> <eq4>	Configure the four EQ values associated with the given channel, EQ range -10 to 10 db.	val eq ch <channel number> <eq1> <eq2> <eq3> <eq4>
groupmutetype	get groupmutetype <group name>	Retrieve group mute type, 0 - Individual mute, 1 - Tabletop mute, 2 - Push to talk.	val groupmutetype <group name> <0/1/2>
groupmutetype	set groupmutetype <group name> <0/1/2>	Configure group mute type, 0 - Individual mute, 1 - Tabletop mute, 2 - Push to talk.	val groupmutetype <group name> <0/1/2>
groupstandbymode	get groupstandbymode <groupname>	Retrieve group's standby mode state.	val groupstandbymode <groupname> <0/1>
groupstandbymode	set groupstandbymode <groupname> <0/1/2>	Set group standby mode, 1 - Enter standby, 0 - leave standby, 2 - toggle.	val groupstandbymode default 1
legacymode	get legacymode	Retrieve the legacy mode setting value. 0 - Legacy mode off, 1 - Legacy mode on	val legacymode <0/1>
mastermutemicgroup	get mastermutemicgroup <group name>	Retrieve the given group's master mute state, 0 - unmute, 1 - muted.	val mastermutemicgroup <group name> <0/1>
mastermutemicgroup	set mastermutemicgroup <group name> <0/1>	Configure the given group's master mute state, 0 - unmute, 1 - muted.	val mastermutemicgroup <group name> <0/1>
micgain	set micgain ch <channel number> <gain value>	Set gain value in dB, channel number 1-2 or A.	val micgain ch <channel number> <gain value>
micgain	get micgain ch <channel number>	Get gain value in dB, channel number 1-2 or A.	val micgain ch <channel number> <gain value>

Property/Action	Command Format	Description	Response
micstandbymode	get micstandbymode ch <channel number>	Retrieve mic standby status, channel number 1-2 or A	val micstandbymode ch <channel number> <0/1>
micstandbymode	set micstandbymode ch <channel number> <0/1/2>	Set mic into standby mode, 1 - Enter standby, 0 - leave standby, 2 - toggle.	val micstandbymode ch <channel number> <0/1>
micstatus	get micstatus ch <channel number>	Retrieve the given microphone's current status, 0 - off, 1 - on, 2 - standby, 3 - charging, 4 - out of range, 5 - not paired, 6 - pairing, 7 - unpairing, 8 - updating	val micstatus ch <channel number> <status>
mictype	get mictype ch <channel number>	Retrieve the given's microphone's type. 0 - Wearable, 1 - Omni, 2 - Directional, 3 - XLR, 4 - Mini XLR, 5 - Gooseneck, 10 - Handheld, 11 - unknown	val mictype ch <channel number> <type>
mutestatus	get mutestatus ch <channel number>	Retrieve the mic mute status, value is a comma delimited string: <mute>,<mute type>,<mute lock>	val mutestatus ch <channel number> <mute>,<mute type>,<mute lock>
regnotify	Regnotify	Register to listen to system notifications.	regnotify
outputgain	get outputgain ch <channel number>	Retrieve the given channel's output gain.	val outputgain ch <channel number> <output gain>
outputgain	set outputgain ch <channel number> <output gain>	Configure the given channel's output gain, output gain range -20 to 5 dB	val outputgain ch <channel number> <output gain>
outputlevel	get outputlevel ch <channel number>	Retrieve the channel output level, channel number 1/2/A, 0 - mic level, 1 - line level.	val outputlevel ch <channel number> <0/1>

Property/Action	Command Format	Description	Response
preampgain	get preampgain ch <channel number>	Retrieve the given channel's preamp gain.	val preampgain ch <channel number> <preamp gain>
preampgain	set preampgain ch <channel number> <preamp gain>	Configure the given channel's preamp gain, preamp gain range -20 to 0 dB.	val preampgain ch <channel number> <preamp gain>
pushtotalk	get pushtotalk <group name>	Retrieve group push to talk setting value, 1 - push to talk set, 0 - not set.	val pushtotalk <group name> <0/1>
pushtotalk	set pushtotalk <group name> <0/1/2>	Configure group push to talk setting, 1 - push to talk set, 0 - not set, 2 - toggle.	val pushtotalk <group name> <0/1/2>
pushtotalkmic	get pushtotalkmic ch <channel number>	Retrieve microphone's push to talk state. 1 - push to talk set, 0 - not set.	val pushtotalkmic ch <channel> <0/1>
shutdownmic	shutdownmic ch <channel number>	Power the microphone off.	shutdownmic ch <channel number>
tabletopmutegroup	get tabletopmutegroup <group name>	Retrieve the given group's tabletop mute state, 0 - not tabletop mute, 1 - tabletop mute.	val tabletopmutegroup <group name> <0/1>
tabletopmutegroup	set tabletopmutegroup <group name> <0/1>	Configure the given group's tabletop mute state, 0 - not tabletop mute, 1 - tabletop mute.	val tabletopmutegroup <group name> <0/1>
batt	get batt ch <channel number>	Retrieve battery status for mic in specified channel.	val batt ch <channel number><1/2/3/4>
fp	set fp <0/1>	Set front panel display lock on or off; 0 - Off, 1 - On	val fp <0/1>
gain	set gain ch <channel number> <0/1/2/80-120>	Configure input gain, values 80 - 100 set the gain from -20 to 0 dB values 101 - 120 will all set the gain 0 dB 1 - modify gain by +1, 2 - modify gain by -1, 0 - set gain to 0	val gain ch <channel number> <0/1/2/80-120>
gain	get gain ch <channel number>	Retrieve input gain for specified channel.	val gain ch <channel number><80-120>
lock	set lock ch <channel number> <0/1>	Turns Mic Lock on or off; 0 - Off, 1 - On	val lock ch <channel number> <0/1>

Property/Action	Command Format	Description	Response
lock	get lock ch <channel number>	Retrieve Mic Lock for specified channel.	val lock ch <channel number> <0/1>
mute	set mute ch <channel number> <0/1>	Mute or unmute specified channel: 0 - Unmute, 1 - Mute	val mute ch <channel number> <0/1>
mute	get mute ch <channel number>	Retrieve mute state for specified channel.	val mute ch <channel number><0/1/2/3/4/5>

## Notifications:

The Executive Elite command 'regnotify' will turn on notifications.

Notifications	Notification Format	Description
mute_group_change	notify mute_group_change <group name> <action>	Notify client that changes that affect a given group have occurred. Actions include 'add' - add, 'del' - delete, 'ren' - rename.
mute_group_member_change	notify mute_group_member_change <group name> bid <box id> active <0/1> type <type> index <mic index>	Notify client that a mic has changed its group.
mute_group_mute_type_change	notify mute_group_mute_type_change <group name> <mute type>	Notify client that the given mute group's mute type has changed, 0 - Individual mute, 1 - Tabletop mute, 2 - Push to talk.
set_mute_status	notify set_mute_status ch<channel number> <mute>,<mute type>,<mute lock>	Notify client the given microphone's mute status changed. <mute> values: 0 - unmuted, 1 - muted <mute type> values: 0 - Individual Mute, 1 - Tabletop mute, 2 - Push to talk mute <mute lock> values: 0 - unlocked, 1 - locked
startup_unmute_group	notify startup_unmute_group <group name> <state>	Notify client that the given mute group's unmute at startup setting changed, 1 - unmute at startup, 0 - mute at startup.
status_change_antenna_link	notify status_change_antenna_link <status>	Notify client antenna link status changed, 0 - unlinked, 1 - linked.

Notifications	Notification Format	Description
status_change_battery	notify status_change_battery ch<channel number> <percentage>	Notify client the given microphone's battery status changes.
status_change_mic	notify status_change_mic ch<channel number> <status>	Notify client the given microphone's status changed, 0 - off, 1 - on, 2 - standby, 3 - charging, 4 - out of range, 5 - not paired, 6 - pairing, 7 - unpairing, 8 - updating
status_group_mute	notify status_group_mute <group name> <group mute state>	Notify client the given group's mute status changed. 8 - group muted, 0 - group unmuted.
Batt	val batt	Mic battery status. 1 - 25%, 2 - 50%, 3 - 75%, 4 - 100%
Mute	val mute...	Mic mute state; 0 - unmuted, 1 - self muted, 2 - muted, 3 - microphone off, 4 - microphone out of range, 5 - microphone charging
Type	val type...	Mic type; 1 - Lapel (Wearable), 2 - Omnidirectional Tabletop 3 - Directional Tabletop, 4 - XLR Adapter, 5 - Countryman Adapter

## Firmware updates

Executive Elite Firmware can be upgraded two different ways. An Executive Elite system registered to the revoCloud can be upgraded to the most recent build from the Cloud Support web page. Select the system on the cloud webpage, and click on “Upgrade to latest build” to immediately upgrade the system as described on page 60.

Any system, independent on whether it is registered on the cloud server or not, can be updated through the Software Upgrade page of the local Web UI. If the system is registered to the cloud server, the webpage allows checking the Cloud Server for an upgrade. An unregistered Executive Elite system can be upgraded from the Web UI using an upgrade software bundle accessible from the computer connected to the Executive Elite system as described on page 55. Upgrade bundles are available on Yamaha Unified Communications, Inc. website in the support section. [uc-support@music.yamaha.com](mailto:uc-support@music.yamaha.com)

Firmware upgrades upgrade all linked components on an Executive Elite system.

- The Software Download pages show the progress of the *Base* then *Antenna* upgrades, in that order.
- After the upgrade is successful, linked microphones will begin upgrading over RF. If microphones are not linked, they will begin upgrading the next time they are linked.
- Microphones in a charger will still upgrade as long as they are paired to the Elite unit that is upgraded.
- An upgrade of the Base unit and the antenna takes about ten minutes.
- Depending on the System Audio Setting, Microphones can take up to 6 minutes to upgrade. Audio modes in which back-channel audio is disabled will take longer to update the microphones.

## Microphones

Revolabs Executive Elite offers a wide variety of wireless microphones and adapters to use with the system:

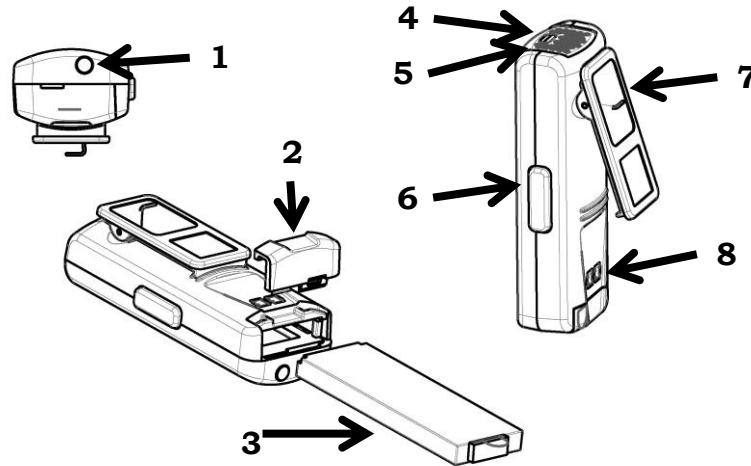
- Revolabs Elite Wearable Wireless Microphone
- Revolabs Elite Omni-directional Tabletop Wireless Boundary Microphone
- Revolabs Elite Uni-directional Tabletop Wireless Boundary Microphone
- Revolabs Elite 6 inch Tabletop Gooseneck Microphone
- Revolabs Elite 12 inch Tabletop Gooseneck Microphone
- Revolabs Elite Universal Wireless Adapter for Handheld Microphones (XLR adapter)
- Revolabs Elite Wireless TA4 Adapter (mini XLR adapter)

**NOTE:** Before using microphones they must be paired to the Base DSP unit and Remote Antenna. Each microphone is assigned a unique channel on the Base DSP unit. See pairing instructions below on how to pair microphones.

**NOTE:** Replace batteries only with approved rechargeable batteries. Non-approved batteries or rechargeable batteries might impact performance of the microphone, and might cause harm to the microphone, users, or the environment. Using non-approved batteries will void the warranty on the microphones. When replacing the batteries, ensure that the batteries are placed in the correct way.

## The Elite Wearable Wireless Microphones

The Revolabs Elite Wearable Microphones, shown in the following figure, can be worn on the user's shirt, lapel, blouse, or on a lanyard. They provide high quality full duplex audio between the users and the conferencing or audio system.



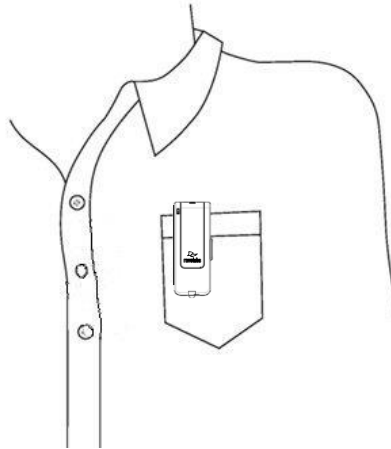
1. Earpiece jack — accepts the 2.5mm plug of the earpiece.
2. Battery door — push towards the back of the microphone to open the battery compartment.
3. Li-Ion rechargeable battery — can be taken out and replaced after opening the battery door.
4. Mute LED — visual status for mute, un-mute, and pairing.
5. Battery charge status LED — under the screen, warns for low battery. When there is approximately 2 hours of talk time remaining, this LED will turn yellow. When the LED turns red, there is approximately 1 hour of charge remaining.
6. Mute button — press to mute, un-mute, and pair microphone.
7. Clip — used to attach microphone to a shirt, lapel, blouse or lanyard.
8. Charging connector — connects to the charging pins of the Elite charging tray.

Revolabs Elite Wearable Microphones turn on when removed from Charger Base. To reduce noise while they are being attached, we recommend muting the microphone when attaching and detaching it.



To use the Elite Wearable Microphone:

1. Remove the microphone from the Charger Base.
2. Attach the microphone to clothing or to a lanyard, positioning the microphone just above the sternum or breastbone, within 6 - 12 inches (15 - 30cm) from the mouth. Make sure that the microphone is attached securely. The Elite wearable microphone utilizes an omni-directional microphone element, it is therefore not important that the microphone points up towards the mouth.



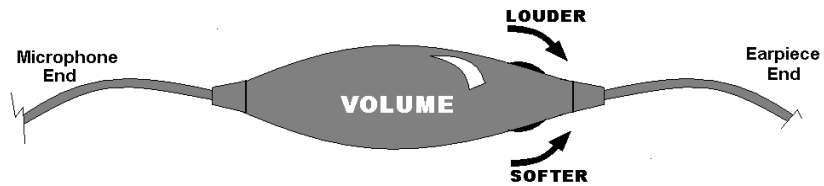
3. After positioning the microphone, based on the mute behavior defined for that microphone un-mute and mute it by pressing and releasing the Mute button (confirm by a flashing green LED or red LED, respectively). If the volume is too low, mute the microphone, relocate it closer to the mouth, and unmute it again.
4. To turn the microphones off, return the microphone unit to the Charger Base or press and hold the Mute button for about 10 seconds until the LED turns solid red, then release the button. The microphone can also be turned off from the local web UI or the room control interface. Note that, in push to talk mode the microphone cannot be shut down using the mute button.

If the microphones are moved out of range of the Remote Antenna (depending on the RF power setting this can be 300 feet, 90 meters, or more from the Remote Antenna), the connection will be dropped, the LED flashes red, yellow, green, yellow, and the microphone will mute.

After 15 seconds the microphone will beep, and will continue beeping every 30 seconds to remind the user to return the microphone to the conference room. If the microphone is moved back into range of the Remote Antenna within 15 minutes the connection will automatically be re-established to its original state, and the beeping will cease. If not, the microphone will turn off.

## Adjusting the Volume on the Wearable Microphone Earpiece

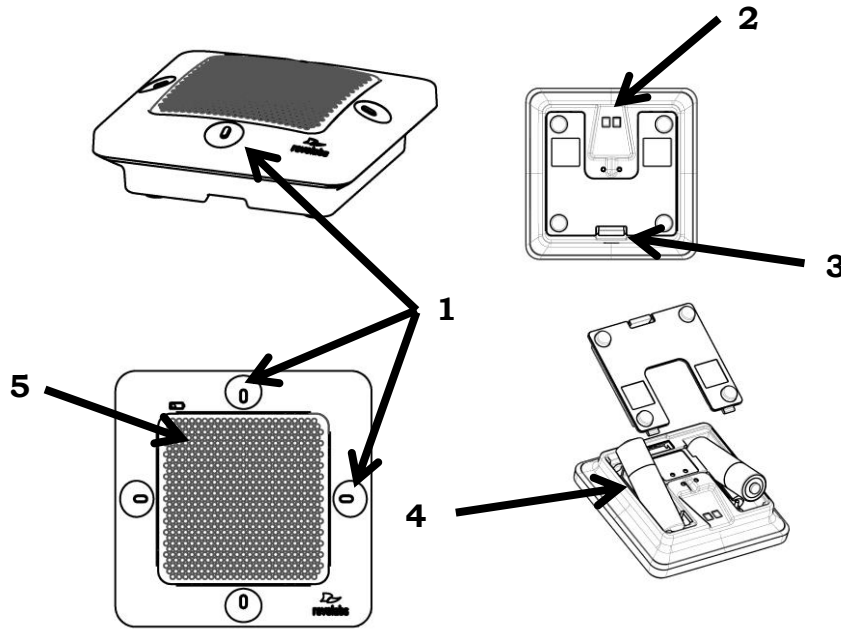
To change the volume on the Wearable microphone earpiece, use the dial on the earpiece wire.



Turning the dial as shown in the figure will increase decrease the volume. Use the attached clothing clip to secure the earpiece wire.

## The Elite Omni-Directional Wireless Tabletop Boundary Microphones

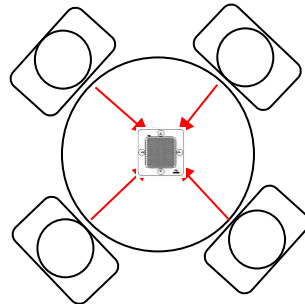
The Elite Omni-directional Wireless Tabletop Boundary Microphones enable multiple conference attendees to use a single microphone.



1. Mute touch areas & LEDs — touch to mute, un-mute, or pair the microphone. LEDs provide visual status for mute, un-mute, and pairing. The omni-directional microphone provides four mute touch areas and status LEDs, one on each side of the microphone. Any one of these touch areas may be used to mute and unmute the microphone.
2. Charging connector — connects to the charging pins of the Elite charging tray or crossover adapted.
3. Battery door latch — open the battery door using this latch.
4. Rechargeable batteries — replace batteries only with NiMH 2000mA rechargeable batteries. Non-rechargeable batteries or rechargeable batteries of a different type or lower charge might impact performance of the microphone, and might cause harm to the microphone, users, or the environment. Using non-approved battery types will void the warranty on the microphones. When replacing the batteries, ensure that the batteries are placed in the correct way as indicated by the print in the battery cavity of the microphone.
5. Battery charge status LED — under the screen, warns for low battery. The LED will turn yellow when there are 4 hours of talk time remaining and red for the last two hours of charge.

To use the Elite Omni-Directional Tabletop Microphone:

1. Remove the microphone from the Charger Base. The microphone will automatically turn on. Based on settings in the Base DSP, the microphone will start either un-muted or muted, indicated by green or red blinking lights, respectively.
2. Omni Tabletop microphones can be centered on the table within 2 to 6 feet (0.6 to 2m) away from people speaking and do not need to be pointing any particular direction because they pick up sound from all directions. It is always better to place a microphone as close to the people speaking as possible, while avoiding placing the microphone where it might be blocked by equipment or paperwork. Do not place microphones too close to an audio or video conference speaker to avoid echoes. Make sure that the microphone's rubber feet are sitting atop a flat surface.



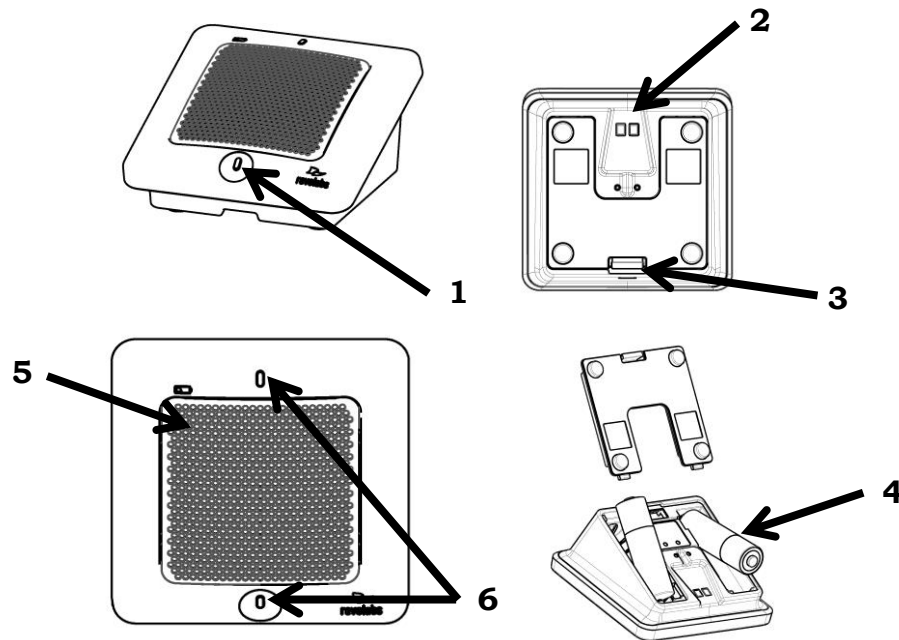
3. With the microphone in position on the table, see picture above for an example, mute or un-mute the microphone by touching any of the four mute areas (confirm by flashing green or flashing red LEDs, respectively). In push-to-talk mode, touch a mute area and keep the finger there to unmute the microphone. Removing the finger from a touch area will mute the microphone.
4. To turn the microphone off, return it to the Charger Tray or touch and hold any of the Mute areas for about 10 seconds until the LEDs turn solid red, then remove the finger from the touch area. The microphone can also be turned off from the local web UI or the room control interface. In push to talk mode the microphone cannot be shut down using the mute areas.

If the microphones are placed too far away from the Remote Antenna (depending on the RF power setting this can be 300 feet, 90 meters, or farther from the Remote Antenna) the connection will be dropped (LEDs flash red-yellow-green-yellow) and the microphone will mute. After 15 seconds the microphone will beep, and will continue beeping every 30 seconds to indicating that it is out of range.

Move the microphone closer to the Remote Antenna and the connection will automatically be re-established to its original state, and the beeping will cease. Otherwise, the microphone will continue beeping until it turns off after about 15 minutes.

## The Elite Directional Wireless Tabletop Boundary Microphones

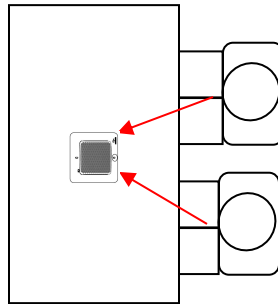
The Elite Directional Wireless Tabletop Boundary Microphone, shown below, is designed to provide optimum coverage when placed on a conference room table in front of one to three people.



1. Mute touch area — touch to mute, un-mute, or pair the microphone. The directional microphone provides one mute touch area on the edge closest to the speaker.
2. Charging connector — connects to the charging pins of the Elite charging tray or crossover adapter.
3. Battery door latch — open the battery door using this latch.
4. Rechargeable batteries — replace batteries only with NiMH 2000mA rechargeable batteries. Non-rechargeable batteries or rechargeable batteries of a different type or lower charge might impact performance of the microphone, and might cause harm to the microphone, users, or the environment. Using non-approved battery types will void the warranty on the microphones. When replacing the batteries, ensure that the batteries are placed in the correct way as indicated by the print in the battery cavity of the microphone.
5. Battery charge status LED — under the screen, warns for low battery. The LED will turn yellow when there are 4 hours of talk time remaining and red for the last two hours of charge.
6. Status LEDs — provide visual status for mute, un-mute, and pairing.

To use the Elite Directional Tabletop Microphone:

1. Remove the microphone from the Charger Base. The microphone will automatically turn on. Based on settings in the Base DSP, the microphone will start either un-muted or muted, indicated by green or red blinking LEDs, respectively.
2. Directional Tabletop microphones should be located on the table with the metal screen facing toward the users, trying to keep the microphone 2 to 6 feet (0.6 to 2m) from the target people. The pick-up pattern for this directional microphone is approximately +/- 65° to either side of directly in front of the microphone. Refer to the diagram below:



It is always better for the microphone to be as close to the person speaking as possible, but avoid placing the microphone where it might be blocked by equipment or paperwork. Avoid placing microphones too close to an audio or video conference speaker to avoid echoes. Make sure the microphone is sitting on its rubber feet, and not on its side.

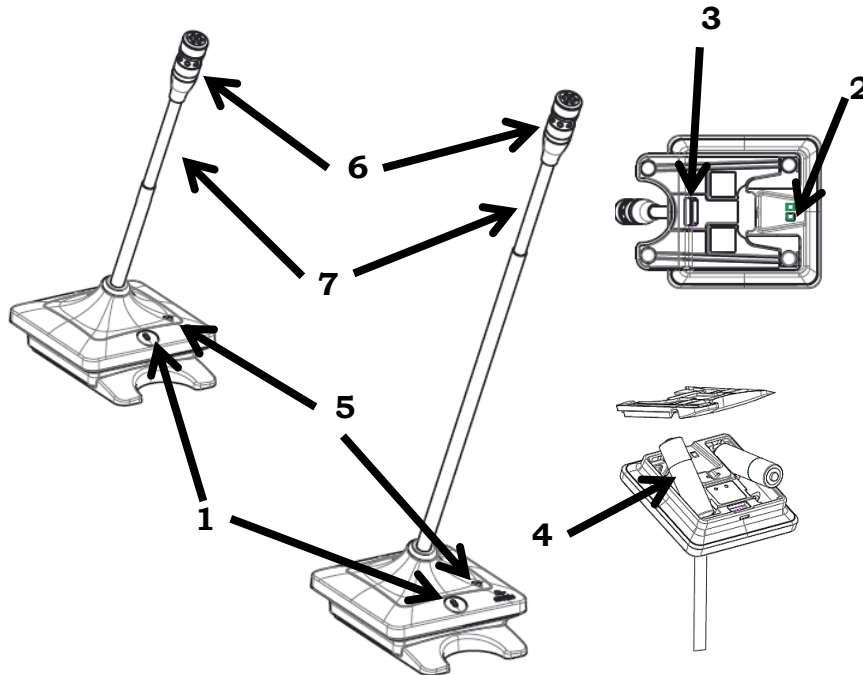
3. With the microphone in position on the table, see picture above for an example, mute or un-mute the microphone by touching the mute area (confirm by flashing green or flashing red LEDs, respectively). In push-to-talk mode, touch the mute area and keep finger there to unmute the microphone. Removing finger from a touch area will mute the microphone.
4. To turn the microphone off, return it to the Charger Base or touch and hold the Mute touch area for about 10 seconds until the LEDs turn solid red, then remove the finger. The microphone can also be turned off from the local web UI or the room control interface. In push to talk mode the microphone cannot be shut down using the mute area.

If the microphones are placed too far away from the Remote Antenna (depending on the RF power setting this can be 300 feet, 90 meters, or more) the connection will be dropped (LEDs flash red-yellow-green-yellow) and the microphone will mute. After 15 seconds the microphone will beep, and will continue beeping every 30 seconds to indicate that it is out of range.

Move the microphone closer to the Remote Antenna and the connection will automatically be re-established to its original state and the beeping will cease. Otherwise, the microphone will continue beeping until it turns off after about 15 minutes.

## The Elite Wireless 6 inch and 12 inch Wireless Gooseneck Tabletop Microphones

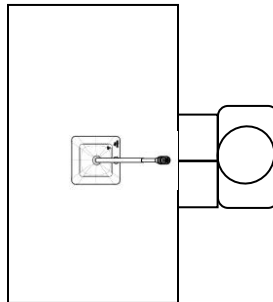
The Elite Wireless 6 inch and 12 inch Wireless Gooseneck Tabletop Microphones, shown below, are designed to provide optimum coverage when a personal microphone is being assigned for each participant in the meeting or panel.



1. Mute touch area & LED — touch to mute, un-mute, or pair the microphone. LED provides visual status for mute, un-mute, and pairing.
2. Charging connector — connects to the charging pins of the Elite charging tray or crossover adapter.
3. Battery door latch — open the battery door using this latch.
4. Rechargeable batteries — replace batteries only with NiMH 2000mA rechargeable batteries. Non-rechargeable batteries or rechargeable batteries of a different type or lower charge might impact performance of the microphone, and might cause harm to the microphone, users, or the environment. Using non-approved battery types will void the warranty on the microphones. When replacing the batteries, ensure that the batteries are placed in the correct way as indicated by the print in the battery cavity of the microphone.
5. Battery charge status LED — warns about low battery.
6. Additional LED — provides visual status for mute, un-mute, and pairing.
7. Flexible microphone stem — use to position microphone facing the desired direction.

To use either of the Elite Gooseneck Tabletop Microphones:

1. Remove the microphone from the Charger Base. The microphone will automatically turn on. Based on settings in the Base DSP, the microphone will start either un-muted or muted, indicated by green or red blinking lights, respectively.
2. Gooseneck Tabletop microphones should be located on the table with the microphone pointing toward the user, trying to keep the microphone 18 to 24 inches (45 to 60 cm) from the speaker. The pick-up pattern for this directional microphone is cardioid, focusing a “beam” towards the speaker. It is always better for the microphone to be as close to the person speaking as possible, but avoid placing the microphone where it might be blocked by equipment or paperwork. Avoid placing microphones too close to an audio or video conference speaker to avoid echoes. Make sure that the microphone is always placed standing on its rubber feet atop a flat surface. Refer to the diagram below:



3. With the microphone in position on the table, see the picture above for example, mute or un-mute the microphone by touching the mute area (confirm by flashing green or flashing red LEDs, respectively). In push-to-talk mode, touch the mute area and keep the finger there to unmute the microphone. Removing the finger from the touch area will mute the microphone again.
4. To turn the microphone off, return it to the Charger Tray or touch and hold the Mute touch area for about 10 seconds until the LEDs turn solid red, and remove the finger. The microphone can also be turned off from the local web UI or the room control interface. In push to talk mode the microphone cannot be shut down using the mute area.

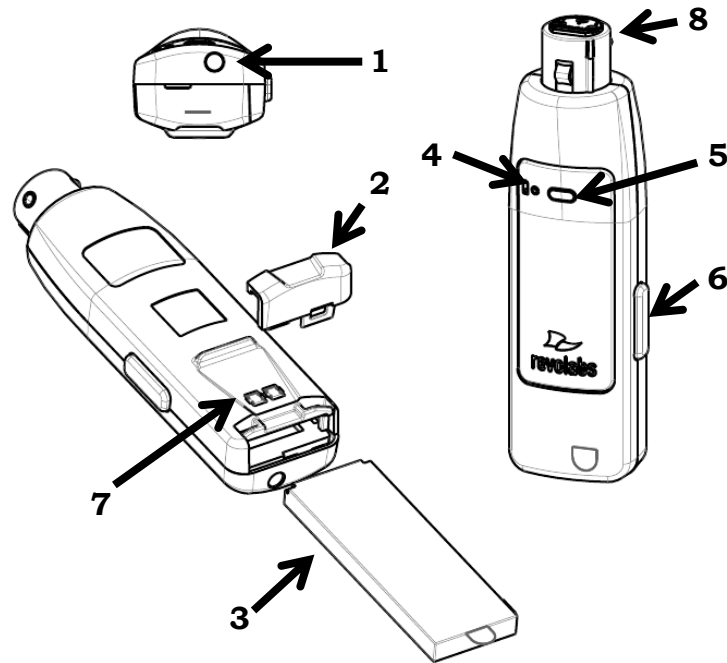
If the microphones are placed too far away from the Remote Antenna (depending on the RF power setting this can be 300 feet, 90 meters, or more) the connection will be dropped (LEDs flash red-yellow-green-yellow) and the microphone will mute. After 15 seconds the microphone will beep, and will continue beeping every 30 seconds to indicating that it is out of range.

Move the microphone closer to the Remote Antenna and the connection will automatically be re-established to its original state, and the beeping will cease. Otherwise, the microphone will continue beeping until it turns off after about 15 minutes.



## Elite Wireless XLR Adapter

The Elite Wireless XLR Adapter allows dynamic hand-held microphones to be used with an Executive Elite system.



1. Earpiece jack — accepts a 2.5mm earpiece plug.
2. Battery door — push towards the back of the microphone to open the battery compartment.
3. Li-Ion rechargeable battery — can be taken out and replaced after opening the battery door. Replace batteries only with Revolabs approved rechargeable batteries.
4. Battery charge status LED — warns for low battery. When there is approximately 2 hours of talk time remaining, this LED will turn yellow. When the LED turns red, there is approximately 1 hour of charge remaining.
5. Mute LED — visual status for mute, un-mute, and pairing.
6. Mute button — press to mute, un-mute, and pair microphone.
7. Charging connector — connects to the charging pins of the Elite charging tray.
8. XLR connector — male XLR connector, connecting to dynamic XLR handheld microphones.

To use the Elite Wireless XLR Adapter:

1. Remove the wireless adapter from the Charger Base.
2. Attach a dynamic handheld microphone to the adapter, following safety precautions and user information provided with that microphone.
3. After positioning the microphone at the distance it will be used at, unmute it and go to the Microphone Management page of the Web UI. The XLR adapter's column will have a Pre-Amp gain setting once the adapter is paired. This slider will allow different types of microphones to be integrated with the Executive Elite system. Select the highest setting on the pre-amp where clipping is not observed, to allow for the highest signal to noise ratio.
4. Based on the mute behavior defined for the adapter in the local web UI, mute or un-mute the microphone by pressing the mute button on the adapter (confirmed by flashing green or flashing red LEDs, respectively). In push-to-talk mode, press the mute button and keep the finger there to unmute the microphone. Removing the finger from the mute button will mute the microphone again.
5. To turn the XLR adapter off, return the unit to the Charger Base or press and hold the Mute button for about 10 seconds until the LED turns solid red, then release button. The adapter can also be turned off from the local web UI or the room control interface. In push to talk mode the adapter cannot be shut down using the mute button.

**NOTE:** Do not place the XLR adapter into the Charging base while the handheld microphone is still attached. Place only the adapter in the charging Base.

**NOTE:** The XLR adapter does not provide phantom power. Use only dynamic hand-held microphones with the adapter.

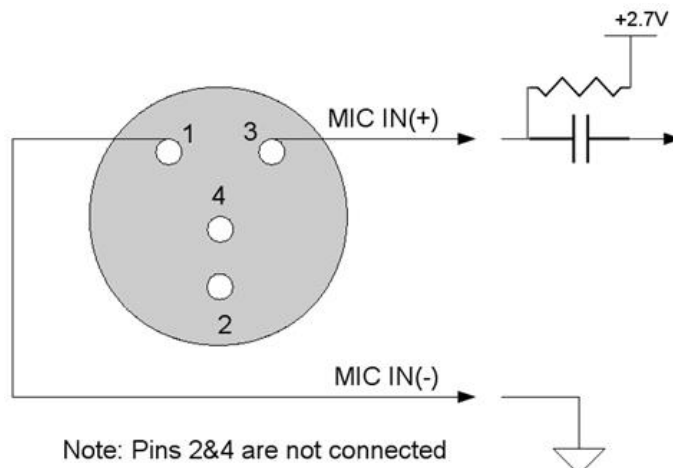
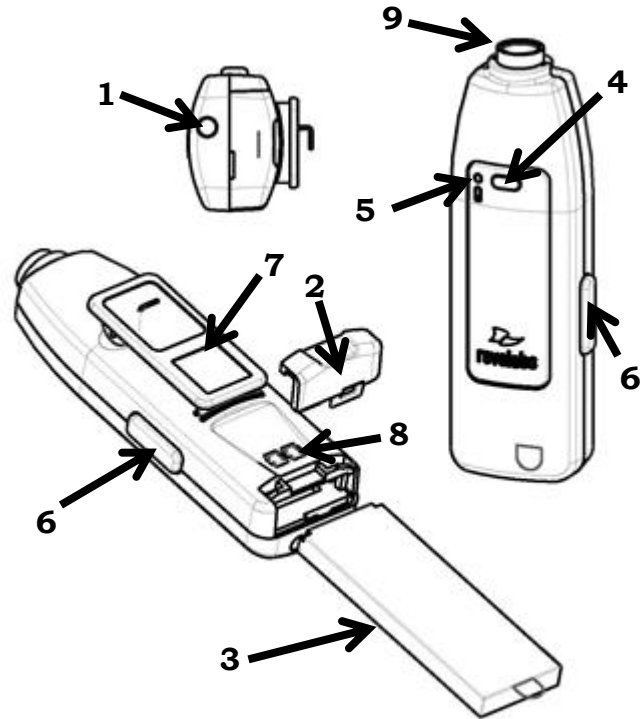
If the adapters are placed too far away from the Remote Antenna (depending on the RF power setting this can be 300 feet, 90 meters, or more from the Remote Antenna) the connection will be dropped (LEDs flash red-yellow-green-yellow) and the microphone will mute. After 15 seconds the adapter will beep, and will continue beeping every 30 seconds to indicating that it is out of range.

Move the adapter closer to the Remote Antenna and the connection will automatically be re-established to its original state, and the beeping will cease. Otherwise, the adapter will continue beeping until it turns off after about 15 minutes.

## The Elite Wireless TA4 (mini XLR) Adapter for lapel and ear-set microphones

The Elite Wireless TA4 (mini XLR) Adapter allows small lapel or over-the-ear microphones to be used with an Executive Elite system.

1. Earpiece jack — accepts a 2.5mm earpiece plug.
2. Battery door — push towards the back of the microphone to open the battery compartment.
3. Li-Ion rechargeable battery — can be taken out and replaced after opening the battery door. Replace batteries only with approved rechargeable batteries. Battery charge status LED — warns for low battery. When there is approximately 2 hours of talk time remaining, this LED will turn yellow. When the LED turns red, there is approximately 1 hour of charge remaining.
4. Mute LED — visual status for mute, un-mute, and pairing.
5. Mute button — press to mute, un-mute, and pair microphone.
6. Clip — used to attach adapter to clothing or a belt.
7. Charging connector — connects to the charging pins of the Elite charging tray.
8. TA4 (Mini XLR) connector — use to connect a lapel or over-the-ear microphone to the TA4 adapter. See picture below for the wiring of the TA4 adapter.
9. TA4 (Mini XLR) connector — use to connect a lapel or over-the-ear microphone to the TA4 adapter. See picture below for the wiring of the TA4 adapter.



**NOTE:** Use only microphones compatible with the wiring of the TA4 adapter.

**NOTE:** The TA4 adapter provides 2.7 volts of phantom power.

To use the Elite Wireless TA4 (mini XLR) Adapter:

1. Remove the mini XLR Adapter from the Charger Base.
2. Attach a microphone to the top of the adapter and clip the end to clothing or a belt. Make sure that the microphone and adapter are attached securely.
3. After positioning the microphone at the distance it will be used at, unmute it and go to the Microphone Management page of the Web UI. The TA4 adapter's column will have a Pre-Amp gain setting once the adapter is paired. This slider will allow different types of microphones to be integrated with the Executive Elite sound system. Select the highest setting on the pre-amp where clipping is not observed, to allow for the highest signal to noise ratio.
4. Based on the mute behavior defined for the adapter in the local web UI, mute or un-mute the microphone by pressing the mute button on the adapter (confirmed by flashing green or flashing red LEDs, respectively). In push-to-talk mode, press the mute button and keep the finger there to unmute the microphone. Removing the finger from the mute button will mute the microphone again.
5. To turn the mini XLR adapter off, return the unit to the Charger Base or press and hold the mute button for about 10 seconds until the LED turns solid red, then release the button. The adapter can also be turned off from the local web UI or the room control interface. In push to talk mode the adapter cannot be shut down using the mute button.

**NOTE:** Do not place the TA4 adapter into the Charging Base while the handheld microphone is still attached. Place only the adapter in the Charging Base.

If the adapter is placed too far away from the Remote Antenna (depending on the RF power setting this can be 300 feet, 90 meters, or more from the Remote Antenna) the connection will be dropped (LEDs flash red-yellow-green-yellow) and the microphone will mute. After 15 seconds the adapter will beep, and will continue beeping every 30 seconds to indicating that it is out of range.

Move the adapter closer to the Remote Antenna and the connection will automatically be re-established to its original state, and the beeping will cease. Otherwise, the adapter will continue beeping until it turns off after about 15 minutes.

## Batteries

Replace batteries in the microphones only with approved batteries!

The tabletop microphones require standard Nickel Metal Hydrate NiMH rechargeable batteries with a 1.2 V voltage and a charge capacity of at least 1900mAh. Example batteries following these specifications are Sony NHAAB4KN or Panasonic HHR-210AAB.

Yamaha Unified Communications, Inc. warranty is voided if a battery is used that

- uses a different battery technology than rechargeable NiMH batteries,
- uses a battery with a different voltage than the required 1.2V,
- uses a battery with a lower charge capacity than the required 1900 mAh.

The wearable microphone, as well as the XLR and TA4 adapters use a custom Li-Ion rechargeable battery. Use only Revolabs provided batteries for these microphones. Using any other battery will void Yamaha Unified Communications, Inc. warranty.

**Caution:** Risk of explosion if batteries are mishandled or replaced by an incorrect type. Do not disassemble batteries or attempt to charge outside the system. Do not dispose of batteries in fire. Dispose of batteries in accordance with manufacturer's instructions and local regulations.

## Pairing Wireless Microphones to Remote Antenna and Base DSP Station

Pairing creates a link between the Elite wireless microphone and the Base DSP Unit through the Remote Antenna with a unique electronic serial number. When the microphone and Base DSP Station have been previously paired, the microphone will automatically try to connect ("link") to the same Base DSP Unit whenever it is lifted from the Charger Tray.

**NOTE:** New microphones in a system must be paired to the Base DSP Unit with each microphone assigned to a unique channel on the base unit.

**NOTE:** The microphone needs to be in range of the Remote Antenna during the pairing process. Pairing is done wirelessly, the microphone communicates through the Remote Antenna to the Base DSP Unit during pairing.

A microphone that is not paired will be indicated by a cycling red-green LED pattern. A Base DSP Unit channel that is not paired to a microphone will not

show any activity on the channel LED and front panel LCD, and will be shown as “Not Paired” on the web interfaces.

During pairing, the microphone LEDs and the channel LED on the front of the Base DSP Unit will stay solid red.

Only one microphone can be paired to any single Base DSP channel at a time. Any Base DSP Unit will protect against several channels pairing at the same time. However, if pairing is started from several Base DSP Units and microphones in parallel, microphones might pair to any of the Base DSP Units currently in pairing mode.

Both the front panel interface and the web interface support a pairing wizard, managing pairing of several microphones in succession. This supports setup of new systems with multiple microphones to be paired.

To pair an individual microphone to the Base DSP Station and the Remote Antenna:

1. Turn the microphone off (no LED activity). If the microphone is ON, touch and hold the Mute area or press the mute button for about 10 seconds until the LED turns solid red. If the microphone’s mute LED behavior is set to Solid Green/Red please note that the LED will be constant red while holding the mute area or pressing the mute button. Ensure that the button is held for 10 seconds. Afterwards, release the touch area or mute button to turn the unit off, the LED will turn off. Note that the microphone beeps once after about 5 seconds while holding the mute button. This does not indicate that the microphone is switched off.
2. Place the microphone into pairing mode by touching the Mute area or holding the mute button for several seconds until the LED turns solid red and then release the touch area or button. The LED first turns green; do not release the touch area at that time. Once the LED is constant red, the microphone is in pairing mode.
3. Within one minute put the desired channel of the Base DSP Station into pairing mode using either of the management interfaces of the Elite Base DSP Station. See page 32 on how to put a microphone channel into pairing mode using the front panel, or go to the monitor or microphone audio page of the local web UI and press the pair button on the channel you want to pair the microphone to. The LED on the front panel for that channel will turn solid red. Once the LEDs on the front panel and on the microphone start flashing either red (muted) or green (unmuted) pairing is complete.
4. If pairing fails, the microphone LEDs will start blinking red-green if it was not paired before. If the microphone was paired to a different channel on the same Base DSP Station or to a different Base DSP Station before, it will try to link back to that channel. Previous pairing information is not deleted on the microphone during a failed pairing attempt.

## LED patterns

The following table shows activities associated with the various states shown by microphone or adapter mute LEDs.

Equipment Use	Microphone LED	Base DSP Station Channel LEDs	Meaning
Microphone in Charger Base	Solid yellow	Off	Battery Type Test
	Solid red or red blinking	Off	Charging in Progress, depending on Tray LED setting
	Solid green or solid red	Off	Charging Complete, depending on Tray LED setting
	2 RED flashes every second	2 RED flashes every second	Microphone is upgrading its firmware over the air.
	Off	Off	Non-Rechargeable Batteries
Microphone not in Charger Base	Off	Off	Microphone powered off or battery discharged
	Two red flashes every 1.5 seconds	Two red flashes every 1.5 seconds	Microphone paired and muted
	One green flash every 1.5 seconds	One green flash every 1.5 seconds	Microphone paired and “live” (unmuted)
	One red flash every 1.5 seconds	One red flash every 1.5 seconds	Microphone paired and system muted (ex: tabletop mute)
	Solid red	Solid red	Pairing mode or confirmation of powering-down.
		Alternating slow green and red	Pairing failed
	Alternating slow green and red	Off	Microphone not paired
	Alternating red, yellow, green, yellow	Off	Searching for a connection, or out of radio range. The Microphone will try to re-establish the link for about 15 minutes, and then turn off automatically.
	2 RED flashes every second	2 RED flashes every second	Microphone is upgrading its firmware over the air.

Equipment Use	Microphone LED	Base DSP Station Channel LEDs	Meaning
	Groups of five rapid RED flashes	Off	Unit is faulty. Contact your AV service provider for advice.
	One yellow flash every 10 seconds		Microphone is in Sleep mode.

The charge status LED provides additional information on the current charge level of the microphone batteries. The following information is for a microphone that is out of the charger and switched on.

Charge LED	Battery Status
Off	Remaining Battery charge > 20%
Yellow flashing	Remaining Battery charge <20%, but more than 10% (1-2 hours talk time remaining on wearable, XLR adapter, TA4 adapter; 2-4 hours talk time remaining on tabletop microphones)
Red flashing	Remaining battery charge <10%, maximum remaining talk time 1 hour on wearable microphone, XLR adapter, and TA4 adapter; maximum 2 hour remaining talk time on tabletop microphones.

## Mute Groups

With Executive Elite, Revolabs introduces a very flexible way to define microphone groups. The main reason for microphone groups is to define a common mute behavior between the microphones (therefore the name “Mute Groups”). Beside a common mute behavior within the group, the Web User Interface also allows to monitor and manage microphones within one group. The web user interfaces allows creating mute groups and assigning of microphones to the different groups.

Each Executive Elite Base DSP unit can have up to 10 mute groups. Delete mute groups that are no longer required in your installation.

Within the Mute Groups, Executive Elite supports several mute types for the microphones, allowing the user to select the mute behavior that best reflects their use case.

### Unmute at Startup

The Unmute at Startup setting defines the mute state of a microphone when it is turned on, restarted, or taken out of a charger base. If this mode is selected,



all microphones in the group will unmute in these circumstances. If it is not selected, then all microphones in the group will start muted.

### **Individual Mute**

A mute group that is set to “Individual Mute” allows each microphone to control its own mute behavior. Touching the mute area of one microphone will toggle that microphone between muted and unmuted state, but will not affect other microphones in the group.

### **TableTop mute**

The “TableTop Mute” option enables all tabletop microphones (directional, omni-directional, gooseneck) to mute all microphones in the group when a mute area is touched. Once another tabletop microphone mute area is touched all tabletop microphones will un-mute and all Wearable microphones, TA4 adapters and XLR adapters will return to their previous state. Wearable microphones, XLR adapters, and TA4 adapters will be able to individually mute at that time as described in the “Individual Mute” setting.

### **Push to Talk**

In a group that is set to “Push to Talk” all microphones are muted unless the mute area is touched. While it is touched, the microphone is in the unmuted state. Each microphone controls its own mute behavior only and touching the mute area of one microphone will have no effect on other microphones in the group.

Because the touch area of a microphone in a Push to Talk group must be held continuously for the microphone to remain unmuted, holding the touch area will not turn off the microphone. Instead the microphone must be turned off through the Web UI, through the Front Panel, through the room control API, or by returning it to the charger base.

### **Chairman Microphone**

In each microphone group, one microphone can be designated as a chairman microphone. If a second microphone is selected to be chairman, the first microphone will lose its rights as chairman, and the new chairman will gain them. When setting a chairman microphone for a group with no chairman, that group’s mute mode will be automatically changed to Individual Mute and Unmute at Startup will be activated. Mute types and Unmute at startup settings can be adjusted after a chairman microphone has been set.

When pressing the mute area of the chairman microphone, all microphones in the group will change between three different states.

The first state has the chairman microphone unmuted, and allows all other microphones in the group to act according to the group’s mute type (Individual Mute, TableTop Mute, or Push to Talk). When the chairman touches the Mute

area the first time, all microphones in the group, except the chairman microphone, will go into a mute state, and cannot be unmuted from any of the other microphones in the group. Touching the mute area of the chairman microphone again will put all microphones into mute, including the chairman microphone. None of the other microphones in the group can unmute at this time. Touching the mute area on the chairman microphone a third time will put the group back into the first state again.

The Web UI allows these three mute states to be activated individually through the Monitor page.

### **Mute lock**

Mute lock allows locking the mute areas on each microphone separately. When mute lock is enabled, the touch areas of the microphone are disabled. The mute state of the microphone can only be changed by other microphones in the group, or through the web user interfaces.

To set mute lock for a microphone click the “unlocked” icon that appears next to its mute icon on the Web UI’s Monitor page. The icon will change to a locked lock. Clicking the icon again will return the microphone to an unlocked state.

## **Warranty**

Yamaha Unified Communications Inc. warrants this product to be free of manufacturing defects. Repair or replacement of any defective part or unit (at the discretion of the Seller) will be free of charge for the period defined in the Yamaha Unified Communications Inc. Professional Products Limited Warranty.

Any attempt by the user to alter the equipment, or equipment damaged by negligence, accident, or Acts of God voids this warranty.

The Seller shall not be liable for any consequential damage resulting from the malfunction of this product. Should the user experience unsatisfactory performance from this equipment, contact the Seller to obtain instructions for return, or replacement, as deemed necessary.

This warranty is not transferable by the original end user. Complete details and terms of the Limited Warranty can be found at [uc-support@music.yamaha.com](mailto:uc-support@music.yamaha.com)

Yamaha Unified Communications Inc.  
144 North Road SUITE 3250  
Sudbury, MA 01776  
[uc-customersupport@music.yamaha.com](mailto:uc-customersupport@music.yamaha.com)  
800.326.1088

## Open Source Software

The following table lists the open source software in the Executive Elite products and the respective licenses under which these software packages are used.

The different software licenses and license templates can be found on the internet at the following addresses (January 2014):

<b>License Type</b>	<b>Web address</b>
GNU GPLv1	<a href="https://www.gnu.org/licenses/gpl-1.0.html">https://www.gnu.org/licenses/gpl-1.0.html</a>
GNU GPLv2	<a href="http://www.gnu.org/licenses/gpl-2.0.html">http://www.gnu.org/licenses/gpl-2.0.html</a>
GNU LGPLv2.1	<a href="http://www.gnu.org/licenses/lgpl-2.1.html">http://www.gnu.org/licenses/lgpl-2.1.html</a>
GNU GPLv3	<a href="http://www.gnu.org/licenses/gpl.html">http://www.gnu.org/licenses/gpl.html</a>
Apache	<a href="http://www.apache.org/licenses/LICENSE-2.0.html">http://www.apache.org/licenses/LICENSE-2.0.html</a>
Oracle	<a href="http://www.oracle.com/us/corporate/contracts/license-service-agreement/index.html">http://www.oracle.com/us/corporate/contracts/license-service-agreement/index.html</a>
Postfix/IBM Public	<a href="http://opensource.org/licenses/IPL-1.0">http://opensource.org/licenses/IPL-1.0</a>
MIT	<a href="http://opensource.org/licenses/MIT">http://opensource.org/licenses/MIT</a>
BSD	<a href="http://opensource.org/licenses/BSD-2-Clause">http://opensource.org/licenses/BSD-2-Clause</a>
BSD (2-clause)	<a href="http://opensource.org/licenses/BSD-2-Clause">http://opensource.org/licenses/BSD-2-Clause</a>
BSD (3-clause)	<a href="http://opensource.org/licenses/BSD-3-Clause">http://opensource.org/licenses/BSD-3-Clause</a>
XMOS License	<a href="http://www.xmos.com">http://www.xmos.com</a>
Free Software License	<a href="http://www.astro.caltech.edu/~mcs/tecla/LICENSE.TERMS">http://www.astro.caltech.edu/~mcs/tecla/LICENSE.TERMS</a>

The specific Open Source software packages used in the Executive Elite product are:

<b>Name</b>	<b>Version</b>	<b>License Type</b>
OpenFire Server	3.8.2	GNU GPLv2
OpenFire User Service	1.3.3	GNU GPLv2
OpenFire Presence Service	1.5.1	GNU GPLv2
Apache	2.2.22	Apache
MySQL	5.5.29	Oracle
Postfix	2.10	Postfix/IBM Public
PHP	5	BSD
stophe.js	1.0.2	MIT
psp_linux	12.0	GNU GPLv2
psp_omap	3.20.00.14	GNU GPLv2
mtd-utils	1.0	GNU GPLv1
Udev	055	GNU GPLv2
Busybox	1.00	GNU GPLv2
Buildroot	2013.08.1	GNU GPLv2
Glibc	2.3.3	GNU LGPLv2.1
XMOS AVB	5.2	XMOS License
USB-Audio-2.0-XS1-L2-Software	5.3	XMOS License
Opus (on mic)	0.9.5	BSD (2-clause)
Opus (in base)	1.0.1	BSD (3-clause)
Mini-gmp	5.1.0	GNU LGPLv3
JamVM	1.5.4	GNU GPLv2
GNU Classpath	0.98	GNU GPLv3
Qt	4.6.3	GNU LGPLv2.1
Tecla library	1.6.2	Free Software License
C CGI library	1.1	GNU GPLv2
jQuery	1.10.2	MIT
Strophe.js	1.0.2	MIT
cURL	7.33.0	MIT
OpenLLDP	0.4alpha	GNU GPLv2

Source code for these open source software packages can be obtained by contacting Yamaha Unified Communications Inc. at [uc-support@music.yamaha.com](mailto:uc-support@music.yamaha.com)

## **Troubleshooting**

### **Accessing the Web UI through the Front Panel USB**

If the network settings are configured incorrectly it can cause an Executive Elite system to become disconnected from the network, making access to the Web UI over the LAN impossible. However, the Web UI can still be accessed from the USB port on the front panel of the Elite. Using a micro USB cable connect the computer you wish to use with the front USB connector of the Executive Elite DSP base. Driver software might need to be installed on your computer on first connection. Once the driver is installed and available, a popup on the Front Panel LCD gives the static IP Address for the USB web connection. Open a web browser and enter the IP Address, then log into the Web UI. Now you may correct any network settings so that the Executive Elite base DSP can register with your IP network.

If installing the driver software fails, the IP Address popup does not appear, or the USB IP Address Web UI doesn't load, then the USB connection may be faulty. Try adjusting the wire or try again with a new cable.

### **Antenna Symbol Blinking**

This indicates that the Elite Base DSP Unit and Antenna are not communicating. During a firmware update, after the base upgraded its firmware, this state might persist for up to 10 minutes, while antenna firmware is being updated.

If no update occurred recently, ensure that the antenna cable is plugged into the back of the Elite Base Unit and into the Remote Antenna.

If the cable is connected correctly, restart the Remote Antenna from the Administration page of the local Web UI.

If the Antenna hasn't relinked 2 minutes after the restart command was issued, restart the base.

### **Batteries incorrectly detected as non-rechargeable**

In rare cases the battery detection algorithm in the Elite microphones might wrongly detect a rechargeable battery in a tabletop microphone (directional, omni-directional, gooseneck) as non-rechargeable. To reset the battery detection remove the batteries from the microphone and place the microphone without batteries on the charger. Wait until the LED of the microphone light up solid. Remove the microphone from the charger and re-place the batteries in the microphone. Wait until the microphone restarts and the LEDs either start blinking, indicating that the microphone is not paired or not linked, or are constantly lit. Place the microphone back in the charger – the charging algorithm will now re-evaluate the battery in the microphone.

## **Technical Support**

If you are experiencing technical problems or if you have questions about the operation, configuration or troubleshooting of any Yamaha Unified Communications Inc. product, please email [uc-support@music.yamaha.com](mailto:uc-support@music.yamaha.com) or call 1-800-326-1088.

# Specifications

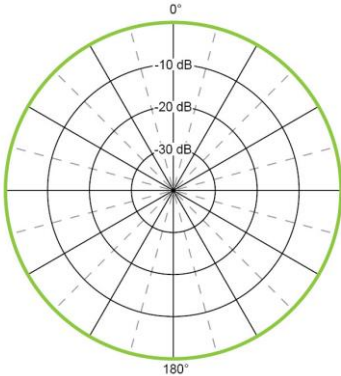
## Product Dimensions

Component	Subtype/Subcomponent	Dimensions	Weight
Base DSP Unit		17.25 x 8 x 1.75 in 43.03 x 20.32 x 4.42 cm	6.5 lbs 2.95 kg
	Monochrome graphic display	216 x 64 pixels 2.8 x 0.8 in 71 x 21 cm	N/A
Remote Antenna Receiver		6.8 x 6.8 x 2 in 17.3 x 17.3 x 5.1 cm	16 oz. 0.45 kg
Microphone Charging Base		7.8 x 5 x 1.75 in 19.8 x 25.4 x 4.4 cm	12 oz. 0.3 kg
Microphone	Omni-Directional Tabletop	3.125 x 3.125 x 1.125 in 7.9 x 7.9 x 2.9 cm	4.7 oz. 134 g
	Directional Tabletop	3.125 x 3.125 x 1.75 in 7.9 x 7.9 x 4.4 cm	5.0 oz. 141 g
	6in Gooseneck	3.125 x 3.125 x 1.75 in 7.9 x 7.9 x 4.4 cm with a 6 in gooseneck	6.8 oz. 192 g
	12in Gooseneck	3.125 x 3.125 x 1.75 in 7.9 x 7.9 x 4.4 cm with a 12in gooseneck	7.7 oz. 219 g
	Wearable	3 x 1.25 x 0.75 in 7.6 x 3.2 x 1.9 cm	1.2 oz. 35 g
	TA4 (Mini XLR) Adapter	3.375 x 3.125 x 1.125 in 8.6 x 7.9 x 2.9 cm	5.0 oz. 141 g

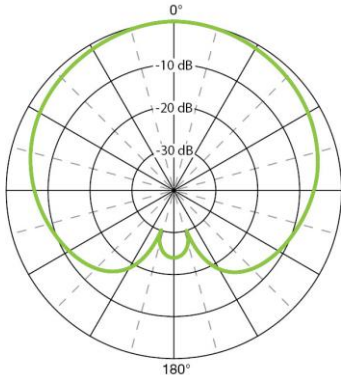


# Microphone Polar Patterns

Elite Omni-Directional Wireless Tabletop Microphone :



Elite Directional Wireless Tabletop Microphone:



# Index

Adjusting the Volume, 66

Ferrite, 22

Input Connectors, 23

Microphone

Charging port, 64, 73, 75

Earpiece Jack, 64, 73, 75

LED Display, 64, 73, 75

Mute Button, 64, 73, 75

Pocket Clip, 64, 73, 75

Microphones, 64

Pairing, 77

Polar Patterns, 89

Safety Information, 6

System Components

Base Station, 14

Microphone Charger Base, 14

Wireless Boundary Microphone, 67, 69

XLR Microphone Wireless Adapter, 75