

REVOLABS EXECUTIVE HD™

Wireless Microphone System

Models: 01-HDEXEC-NM, 01-HDEXEC4-NM, 01-HDEXEV-NM-AES,
01-HDEXEC4-NM-AES, 03-HDEXECEU-NM, 03-HDEXEC4EU-NM,
03-HDEXECEU-NM-AES, 03-DEXEC4EU-NM-AES,
03-HDEXECCN, 03-HDEXEC4CN, 03-HDEXECJP, 03-HDEXEC4JP,
03-HDEXECJP-AES & 03-HDEXEC4JP-AES



Installation and Operation Guide

© YAMAHA UNIFIED COMMUNICATIONS INC. All rights reserved. No part of this document may be reproduced in any form or by any means without express written permission from Yamaha Unified Communications, Inc. Product specifications are subject to change without notice.

Contents

- Safety and General Information 4
 - FCC Notice to Users 4
 - IMPORTANT NOTE: Federal Communications Commission (FCC) Radiation Exposure Statement 4
 - Professional Installation Recommended 4
 - Industry Canada Notice to Users..... 4
 - Restricted use with certain medical devices..... 4
 - Export Law Assurances 4
 - European Compliance 5
 - Standards to which Conformity is declared: 5
 - WEEE Notification: 5
 - 2003/11/EC & 2002/95/EC “RoHS Compliance Directive”: 5
- Introduction..... 6
 - System Components 6
- Installing the Revolabs Executive HD™ Base Station 7
 - Controls and Connections: 8
- Configuring the Executive HD™ Base Station 9
 - Using Multiple Revolabs Executive HD™ Systems Together 9
 - Using the Rear Panel Configuration DIP Switches 11
 - Using the Revolabs HD Control Panel Software 11
 - Using the Serial Control Processor (RS-232 or IP) 18
 - Using the Base Station Front Panel Display..... 24
- Revolabs HD Microphones and HD Microphone Adapters..... 25
 - Using the HD Wearable Wireless Microphones 25
 - Using the HD Omni-Directional Tabletop Wireless Boundary Microphones 27
 - Using the HD Directional Tabletop Wireless Boundary Microphones 28
 - Using the HD XLR Microphone Wireless Adapter 29
 - Using the HD Wireless Adapter for Countryman Microphone 30
 - Pairing Wireless Microphones to Base Station..... 31
- Revolabs Executive HD Charger Base 32
 - Power Module 33
 - Charging the Microphone Batteries 33
- Updating the Revolabs HD™ Firmware 34
- Revolabs Executive HD™ Indicator LEDs 36
- Revolabs Executive HD MaxSecure 37
- Warranty..... 38
- Specifications 39

Safety and General Information

Please read the following information to ensure safe and efficient use of your Revolabs system.

FCC User Information

FCC ID: T5V01HDEXEC Revolabs Executive HD™ Base Station

FCC ID: T5V01HDEXEMIC Revolabs Executive HD™ Microphone

FCC Notice to Users

Users are not permitted to make changes or modify the equipment in any way. Changes or modifications not expressly approved by Yamaha Unified Communications, Inc. could void the user's authority to operate the equipment.

This device complies with Part 15 of the FCC Rules. Operation is subject to the following two conditions: (1) this device may not cause harmful interference, and (2) this device must accept any interference received, including interference that may cause undesired operation.

IMPORTANT NOTE: Federal Communications Commission (FCC) Radiation Exposure Statement

This equipment complies with FCC radiation exposure limits for an uncontrolled environment.

Professional Installation Recommended

This product should be professionally installed.

Industry Canada Notice to Users

Operation is subject to the following two conditions:

(1) This device may not cause interference and

(2) This device must accept any interference, including interference that may cause undesired operation of the device

IC: 6455A-01HDEXEC Revolabs Executive HD™ Base Station

IC: 6455A-01HDEXEMIC Revolabs Executive HD™ Microphone

Restricted use with certain medical devices

Hearing Aids

Some devices may interfere with some hearing aids. In the event of such interference, you may want to consult with your hearing aid manufacturer to discuss alternatives.

Other Medical Devices

If you use any other personal medical device, consult the manufacturer of your device to determine if it is adequately shielded from RF energy. Your physician may be able to assist you in obtaining this information.

Export Law Assurances

This product is controlled under the export regulations of the United States of America and Canada. The Governments of the United States of America and Canada may restrict the exportation or re-exportation of this

product to certain destinations. For further information contact the U.S. Department of Commerce or the Canadian Department of Foreign Affairs and International Trade. The use of wireless devices and their accessories may be prohibited or restricted in certain areas. Always obey the laws and regulations on the use of these products.

01-HDEXEC and 01-HDEXEC4 (4 & 8 channel systems respectively) North America UPCS Usage Restriction

Due to the UPCS frequencies used, this product is licensed for operation only in the United States of America and Canada.

03-HDEXECEU and 03-HDEXEC4EU (4 & 8 channel systems respectively) European Union Usage Restriction

Due to the DECT frequencies used, this product is licensed for operation only in the European Union countries.

European Compliance

This equipment has been approved in accordance with Council Directive 1999/5/EC “Radio and Telecommunications Terminal Equipment”.



Conformity of the Equipment with the guidelines below is attested by the CE mark.

Model Numbers:

03-HDEXEC4EU-NM	Executive HD System, 4-Channel, w/o mics
03-HDEXECEU-NM	Executive HD System 8-Channel, w/o mics
03-HDEXEMICEU-11	HD Microphone, RF-Armor™ Wearable
03-HDTBLMICEU-OM-11	HD Microphone, RF-Armor™ Tabletop, Omni-directional
03-HDTBLMICEU-DR-11	HD Microphone, RF-Armor™ Tabletop, Uni-directional
03-HDXLRMICEU-11	HD Microphone, Dynamic XLR Wireless Adapter for Handheld
03-HDCOMANEU-11	HD Microphone, Countryman Wireless Adapter

Standards to which Conformity is declared:

RF ETSI EN 301 406 V 1.4.1 03/2001
EMC ETSI EN 301 489-6 v1.2.1 (2002-04)
Safety ETSI EN 60950 (2006 +A11)

WEEE Notification:

The Waste Electrical and Electronic Equipment (WEEE) directive (2002/96/EC) is intended to promote recycling of electrical and electronic equipment and their components at end of life.

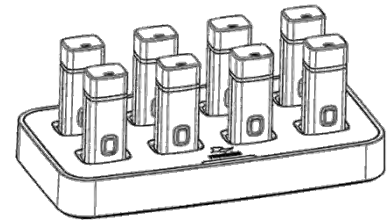
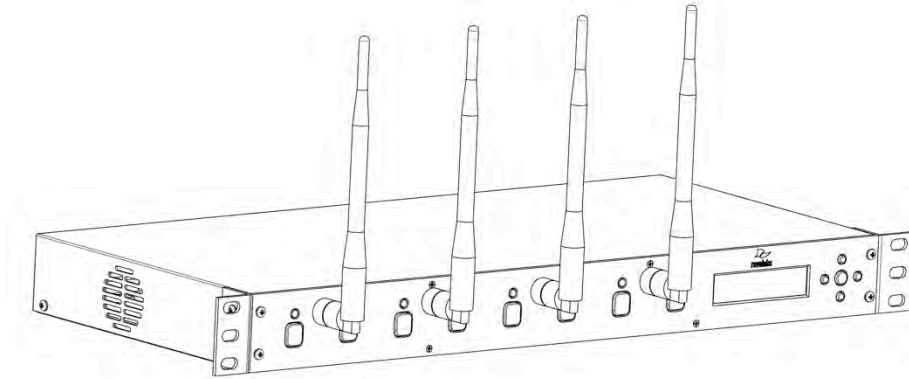


2003/11/EC & 2002/95/EC “RoHS Compliance Directive”:

The products referenced herein are in compliance with the EU directive 2003/11/EC and EU directive 2002/95/EC.

Introduction

Congratulations on your purchase of a Revolabs digital wireless microphone system! This system utilizes 1.9 GHz DECT technology, and high band-width audio from multiple wireless microphones, enabling clear, reliable, un-tethered communications in recording, audio/video conferencing, speech recognition, VOIP communications, sound re-enforcement as well as many other environments requiring clear audio capture.



The Revolabs Executive HD™ Wireless Microphone System has 14kHz audio performance, maximum microphone density and user interface/control including an Ethernet interface. The Executive HD system is a unique marriage of innovative technology and ergonomic design, employing Multi-Carrier Time Division Multiple Access and Time Division Duplex (MC/TDMA/TDD) radio transmissions both to and from the microphone.

This technology allows the microphones to co-exist with other wireless products operating at different frequencies such as wireless LANs (802.11b,g&n), and includes digital encryption technology to ensure secure communications.

System Components

Depending on which system you've purchased, your Revolabs Executive HD™ System packages contain the following:

- Rack mountable 4 or 8 channel Base Station
- Microphone Charger Base & Power Supply
- HD wireless microphones, (earpieces and lanyards with wearable microphone only).

The Base Station houses the processor and one end of the wireless connection. It features either two (4 Mic system) or four (8 Mic system) diversity antennae and offers individual line-level or mic-level audio in/out for each microphone channel. This allows for external audio processing such as:

- Mixing
- Acoustic echo cancellation (AEC)
- Feedback elimination
- Level control
- Equalization
- Noise cancellation

The system is designed to optimize audio capture/reproduction by providing:

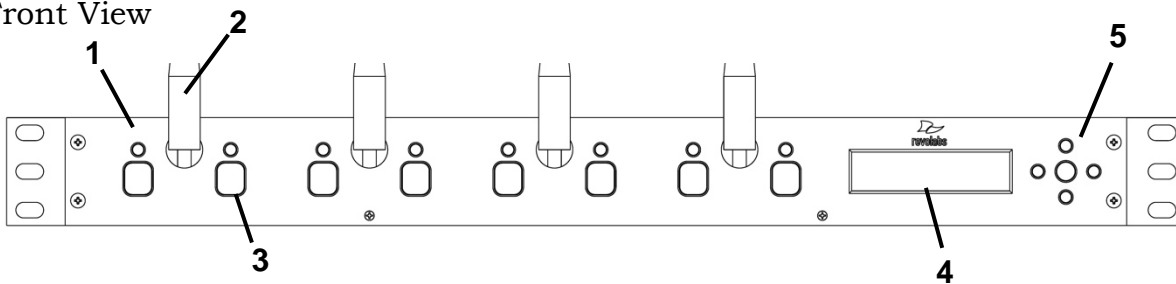
- Consistent audio input from all participants
- Minimum room noise
- Mute control
- Wireless encryption
- Automatic channel selection
- Full duplex audio.

The Charger Base stores and charges the wireless microphones when not in use. The Charger Base also serves as a programming station for the microphones, should firmware updates to the microphones be required.

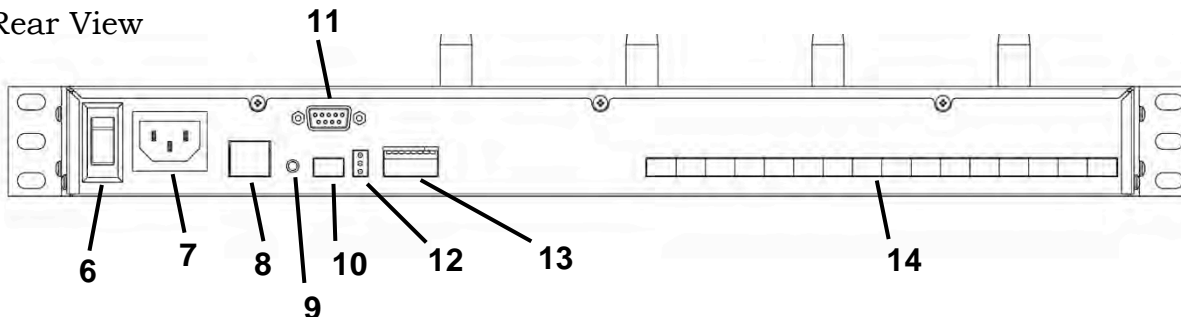
Installing the Revolabs Executive HD™ Base Station

The Revolabs Executive HD™ Base Station, shown below in front and rear panel views, manages wireless audio signal processing, pairing, and muting between the Revolabs microphones and the Base Station.

Front View



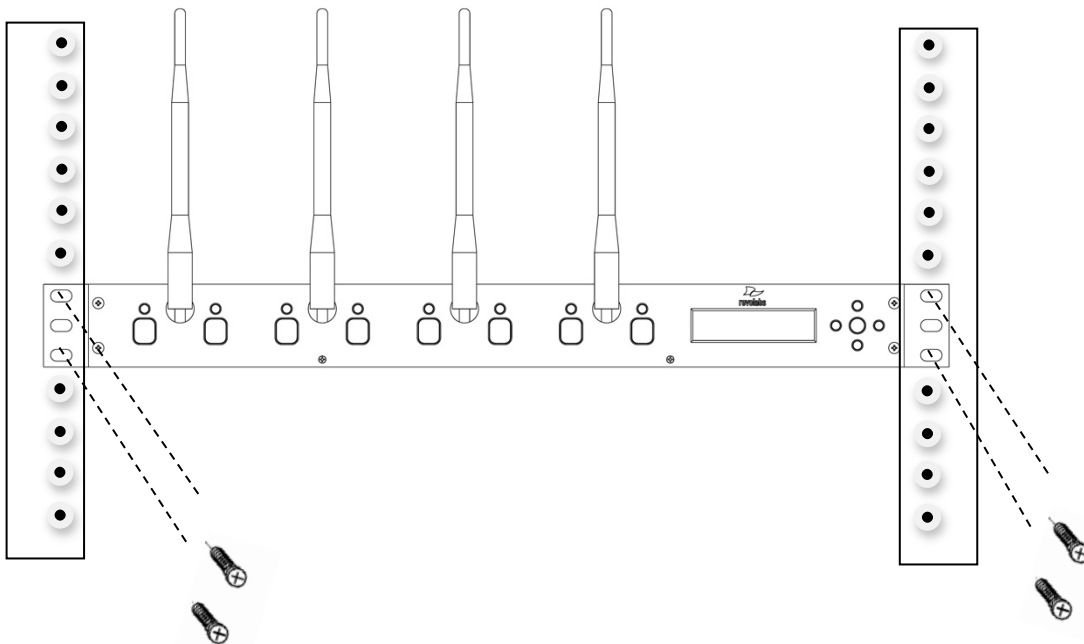
Rear View



Controls and Connections:

1. Channel LED indicators: Displays microphone mute and pairing states.
2. Diversity Antenna: One or two sets (4 channel or 8 channel).
3. Pairing Push Buttons: For pairing microphones to Base Station.
4. Two Line LCD Display for front panel operation, command and control.
5. Navigation Buttons for menus on front panel LCD interface. (See Section *Using the Base Station Front Panel Display*)
6. On/Off Switch: Powers up unit.
7. Power In Receptacle (100-240 VAC).
8. Ethernet Port
9. System Reset Button
10. Mini-Phoenix Connector: Multiple Base Station (BUS) synchronization connection.
11. RS-232 Serial Interface, DB9 (see Section *Using the Serial Control Processor (RS232 or IP)*)
12. Base station status LED's (see Section *Revolabs Executive HD™ Indicator LEDs*)
13. Configuration DIP Switches (see Section *Using the Rear Panel Configuration DIP switches*)
14. Mini-Phoenix Connectors: Balanced Audio in and out connections (4 or 8 channels, in and out).

The Revolabs Executive HD™ Base Station is designed to be installed into a standard 19" AV rack using the attached rack ears.



To Install the Base Station:

1. Plug the power cord into an appropriate outlet.
2. Turn the fuse-protected power switch on the back panel to "RESET".
The LCD on the front panel will illuminate.
3. Attach the diversity antennas (2 or 4 SMA female connectors).

Revolabs Executive HD™ Audio Connections

There are (8) 3.5mm mini-Phoenix inputs and (8) 3.5mm mini-Phoenix outputs on the back panel of the unit (four on the 4-channel system) providing access to each channel's audio signal.

The provided mini-Phoenix connectors are designed for easy wiring. The three terminals (from left to right) correspond to positive +, negative -, and shielded ground□

To connect audio In/Out on the Base Station

1. Use the screws on top of the connector to first loosen the terminals.
2. Insert an appropriate 3-conductor cable (2 conductors and shield) into the terminals.
3. Tighten the screw to secure the cable.
4. Push the connector onto the pins centered under the desired input or output port until firmly secured.

The microphone output connectors need to be attached to the line-level (0dBu) input connectors of an audio mixer. **PHANTOM POWER MUST BE OFF. PHANTOM MAY CAUSE DAMAGE TO THE BASE STATION.**

The Base Station input connectors (also 0dBu) may then be attached to mixer channel outputs. Because the system is full-duplex, the input connections provide the ability to hear program audio using a 2.5mm earpiece attached to the microphone (supplied with the wearable microphone).

Depending on the application, it is possible to feed a single mixed channel back to all earpieces or, alternatively, each user can receive a separate and unique channel. This would allow for translation, personal hearing assistance or other services to be incorporated into an application.

Configuring the Executive HD™ Base Station

Each Revolabs Executive HD™ Base Station must be configured properly prior to use. Accurate configuration is dependent on several variables such as:

1. How many Executive HD™ systems are being used together in proximity?
2. What type of 3rd party mute control is being used?
3. How large is the room?
4. Is Line Level or Mic Level signal required?
5. How do the mic mutes need to function?

Once these questions are answered, accurate configuration of the Executive HD base can be achieved using a combination of the following methods.

Using Multiple Revolabs Executive HD™ Systems Together

If more than one Revolabs Executive HD™ Base Station is used in an area, each unit needs to be interconnected with a synchronization (BUS) cable using a standard 3.5mm mini-Phoenix connector and any 26AWG or better, shielded cable. The maximum distance from the Primary unit to any Secondary device must not exceed 300' (90 meters). In addition, DIP switch #1 needs to be adjusted on one or more of the units to represent the 'Primary' and 'Secondary' devices.

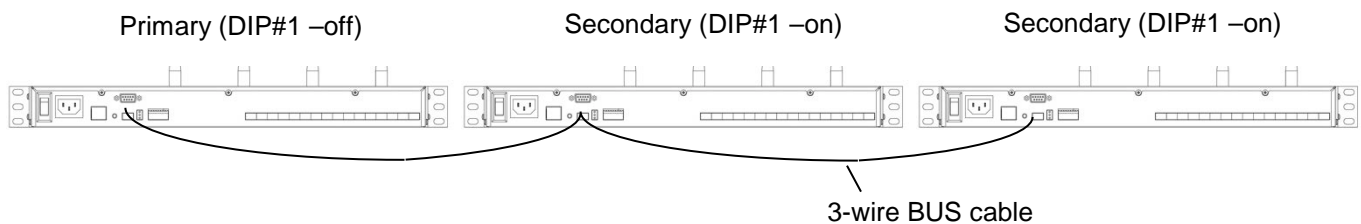
The three terminals of the BUS connector should be wired in parallel via either a daisy chain connection or terminal block split. The three contacts of the phoenix connector are as follows from left to right.

1. Sync
2. Master Mute
3. Ground

Set one Base Station as the Primary device by putting DIP switch #1 to the 'Off' position. The other units must be set as Secondary devices by putting DIP switch #1 to the 'On' position. In this configuration, the Primary device manages the entire system, distributing microphone transmission across available channels to maintain frequency integrity, and coordinating system muting.

Primary (DIP switch 1, Off – default): This designates the Base Station as the master control unit.

Secondary (DIP switch 1, On): Additional base stations to be used in the same area must be connected via the BUS **and** be set to SECONDARY mode to ensure synchronization of timing clocks between bases in order to prevent interference.



Note: Whenever a DIP switch is toggled, the base unit should be reset, or the power should be cycled for the switch setting to be registered.

Warning: The switch must be in the 'Primary' position for a single Base Station system, which is the factory default setting. Microphones will not function if the switch is in the 'Secondary' position and no 'Bus' cable is connected.

The maximum number of microphone channels within a 300' (90 meter) radius in the Americas or Japan is 16 channels (High Definition mode) or 32 channels (Max Density mode). The maximum number of channels within a 300' (90 meter) radius for a EU or CN frequency system is 24 channels (High Definition mode) or 40 channels (Max Density mode). (See Section *Using the Revolabs HD Control Panel Software*)

Note: Using Revolabs Executive HD systems in the same area(s) without the bases connected via the BUS will result in interference

Warning: Using the maximum number of Revolabs HD Microphones in a given area will occupy 100% of the available RF bandwidth. Any other wireless device operating in the same frequency could cause significant interference with the Revolabs HD Microphones. It is recommended that no other DECT or DECT 6.0 products be used within operational range of the Executive HD system(s).

Using the Rear Panel Configuration DIP Switches

1 – Operation Mode - Primary (off)/Secondary (on)

Used when connecting several base stations together for operation in the same area.

One system must be set to 'Primary', and all others must be set to 'Secondary'.

2 - future use

3 - future use

4 – Audio Output Level - Line (off)/Mic (on)

This controls the output audio level on all audio output connectors. Line level audio out (default) refers to an output signal voltage of ~0 dBu, and a Mic Level output signal level is ~-40 dBu.

5 - future use

6 - future use

7 - future use

8 - future use

Using the Revolabs HD Control Panel Software

A software program with graphical user interface is available for accessing control settings and real-time status of Revolabs Executive HD Microphone Systems. A detailed description of how to use this tool is described below.

1. Download the Revolabs HD Control Panel software from www.uc.yamaha.com/downloads
2. Connect the PC to the same network as the Base Station via either an Ethernet Crossover Cable, or network switch.
3. Connect the HD Microphone Charger to the PC using the provided USB-USB Mini cable.
4. Install the software downloaded in Step 1, which requires Windows 2000, NT, Vista, or 7.
5. If no DHCP server is present, set the fixed IP on the PC to a similar IP address as the one displayed on the Base Station front panel display by changing the last bank of numbers in the IP address. (192.169.1.xxx)
6. Launch the Revolabs HD Control Panel program.
7. Select 'Scan Network' from the 'System' menu or hit the F5 key, and the HD Control Panel will automatically find and display any Revolabs Executive HD base stations visible on the network (the program cannot see through firewalls, etc.).
8. Select the devices needing to be configured and click 'OK'

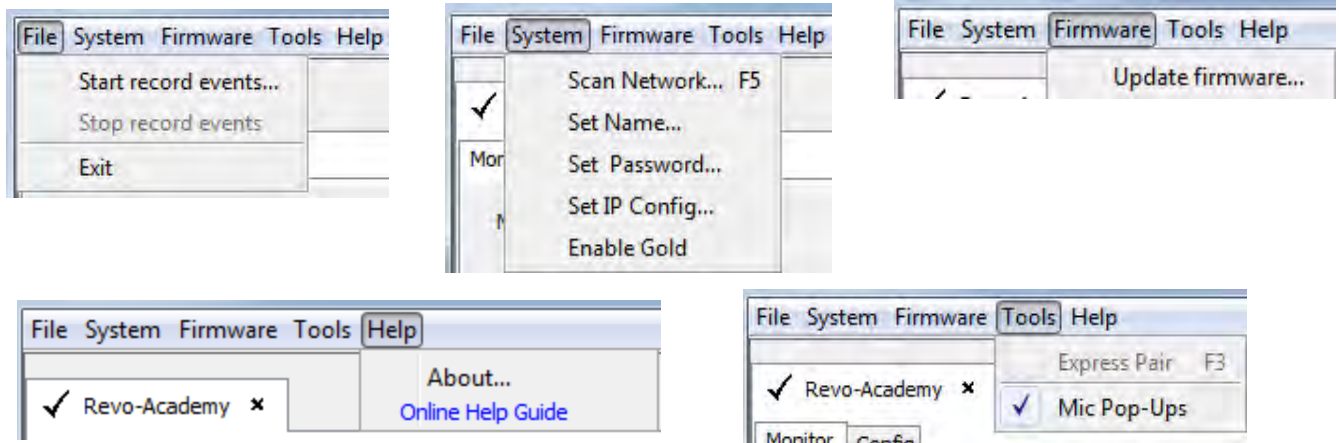
Revolabs HD Gold Control Panel

Each Revolabs Executive HD Base Station comes standard with the HD Control Panel, which includes a limited group of controls and features. The Revolabs HD Gold Control Panel requires a 16 digit 'unlock code' to access the additional features and functionality for each Executive HD Base Station. The HD System MAC address shown on the front LED panel of the Base Station is required to receive the unlock code. Each unlock code is tied directly to a specific MAC address and therefore, a specific system. The HD Gold Control Panel unlock code is available by purchasing a

Revolabs Service Plan at the time of the system purchase, or may be purchased separately for each system. The Revolabs HD Control Panel can operate with either a locked or unlocked Executive HD Base Station. When the HD Control panel is connected to an unlocked Executive HD Base Station, the Gold features will then appear on the screen and be controllable by the user. All features mentioned below with a '*' after them are only part of the HD Gold Control Panel.

Configuration Settings

The Revolabs HD Control Panel controls all of the Executive HD Base Station configuration settings. Some, but not all, of the configuration settings can also be controlled from the Base Station front panel display. All configuration settings are located either in the 'Config' tab of the device window or on the HD Control Panel menus.

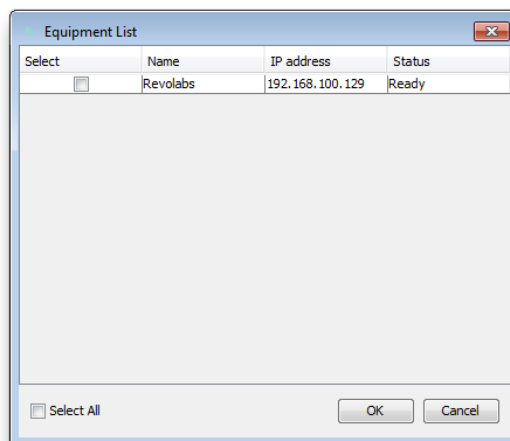


File – Record Events:

The 'Record Events' option of the 'File' menu will record the activity of the Base Station and microphone chipsets. This file can only be read by Yamaha UC technical support. This feature should not be used without the recommendation and support of Yamaha Unified Communications, Inc. engineer.

System – Scan Network:

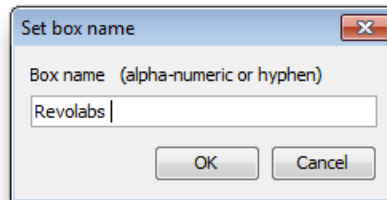
The 'Scan Network' option of the 'System' menu will search the connected Ethernet network for all connected HD Base Stations. A pop-up 'Equipment List' will show all discovered devices and allow the connection to the selected Base Station(s). Once connected to a Base Station, the HD Control Panel will open a device tab for each Base Station.



Note: If the 'Equipment List' does not appear after a network scan has been performed, no devices or network connections were found or the connection is not configured correctly.

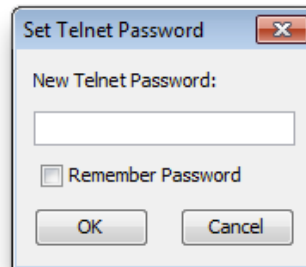
System – Set Box Name:

A Box Name may be assigned as a Network ID for each device. This name will be displayed both on the front screen of the Base Station along with the IP address and on the device tab in the HD Control Panel Software. The Box Name can be set by selecting 'Set Name' from the 'System' menu. The corresponding pop-up will show the current box name, which can be changed. The default box name is the device IP address.



System – Set Telnet Password:

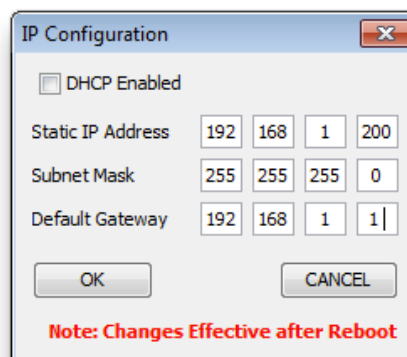
A Telnet Password may be assigned for logging into a Base Station. Once a Telnet Password is assigned, it must be entered to communicate with the Base Station over Ethernet via the HD Control Panel Software. The Telnet Password can be set by selecting 'Set Password' from the 'System' menu. The corresponding pop-up will show if a password has been set and will allow the password to be changed. There is no default password set.



System – Set IP Configuration:

If the Executive HD Base Station is set to DHCP mode and no DHCP server is found, the Base Station will auto-populate its own IP address and display it on the front panel display. This automatic IP address will change every time the Base Station is rebooted for as long as DHCP is enabled.

If a fixed IP is desired, a fixed IP can be assigned to the Base Station. The IP Configuration can be set by selecting 'Set IP Config' from the 'System' menu. The corresponding pop-up will show the current IP configuration and allow the configuration to be changed.



Note: Changes to the IP Configuration will take place once the Base Station's power is cycled.

System – Enable Gold:

Each Executive HD Base Station has two sets of features. There are the standard features that are included with the system and the Gold features that require a 16 digit unlock code to enable the addition Gold features. You can use the unlock code to enable the Gold features by select 'Enable Gold' from the 'System' menu.

Note: An unlock code can be requested by providing the system MAC address shown on the front LED panel and the necessary purchase information through www.uc.yamaha.com/downloads

Firmware – Update Firmware:

Executive HD Systems are field upgradable for the firmware portion of the Base Station and Microphones. The firmware must be sent to both the Base station and Microphones using the HD Control Panel program. (See *Updating the Revolabs HD Firmware* for more information)

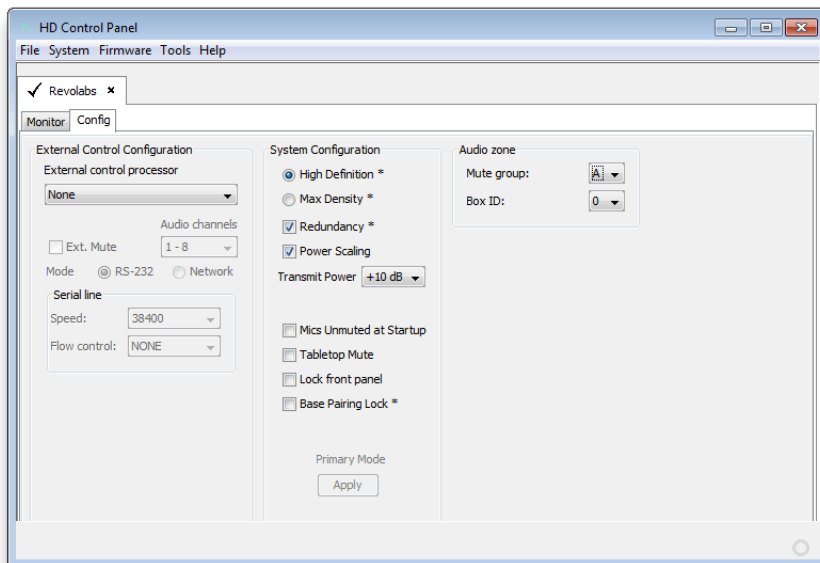
Tools – Express Pair:

The “Express Pair” tool allows all of the HD microphones, in an Executive HD System, to be paired simultaneously via the HD Control Panel. Selecting “Express Pair”, while connected to an Executive HD Base Station via Ethernet, and an Executive HD Charger Base via USB, will pair the microphones in the connected Charger Base to the selected Base Station. A notification will appear at the end of the process to confirm pairing success.

Note: A 4-channel Charger must be used with a 4-channel Base Station and an 8-channel Charger must be used with an 8-channel Base Station for an express pair to be successful.

Tools – Mic Pop-Ups:

The user can choose to have Pop-Up notifications inform them of when a microphone is out of range.



Config – External Control Processor:

The Serial Control Processor allows the use of third party control system or DSP to monitor and/or control the Executive HD Base Station and Microphones. (See *Using the Serial Control Processor*)

Config – Audio Mode:

There are two audio modes to choose from when using an Executive HD System. ‘High Definition’ mode (default), which provides 50Hz-14KHz audio, and ‘Max Density’ mode, which provides 50Hz-12KHz audio. While ‘High Definition’ mode provides the highest audio bandwidth, ‘Max Density’ mode provides the ability to use more mics in a given area.

Note: *A change to the Base Station Audio Mode will result in an automatic system reboot.*

Config – Redundancy:

Redundancy allows the HD base station to use back channels to mitigate interference and prevent 3rd party wireless RF from interfering with the Revolabs system. Turning off Redundancy will reduce the audio latency by 5ms but will render the system susceptible to RF interference when 3rd party wireless RF devices, operating in the same RF band, are present.

Note: *A change to the Base Station Redundancy Mode will result in an automatic system reboot.*

Config – Power Scaling:

Power scaling allows the base station and microphones to automatically change their transmit power levels maximizing the RF band and reducing the possibility of interference between multiple Revolabs systems. Turning power scaling off fixes the base station and microphone transmit power levels to that set in the ‘transmit power’ setting on the config section of the HD Control Panel providing the system with RF priority when used in proximity of other 3rd party wireless RF devices operating in the same RF band.

Config – Transmit Power:

The Transmit Power of the Base Station can be adjusted to help reduce the operational radius of an Executive HD System in order to prevent interference from other Revolabs products, or from other devices operating in the same frequency. The options for transmit power are 0db-25db with 10db as the default setting. This configuration setting can also be controlled using the Base Station front panel display.

Config – Mic Unmute at Startup:*

By default the mics go into a muted state when they are removed from the charger. This is done to prevent handling noise as the microphone is placed into position. By selecting ‘Mics Unmuted at Startup’, the mics will go into an unmuted state when removed from the charger.

Config – Tabletop Mute:

The Executive HD System provides two options for microphone mute performance. The default option allows each microphone to have its own individual mute capabilities as well as a Master Mute function that will lock all mics into a muted state until the function is disabled. The Master Mute can only be triggered by a control system via RS-232 or Ethernet.

The second option allows all tabletop microphones to act as a Master Mute, leaving only the Wearable microphones, Countryman and XLR adapters with individual mute capabilities. Muting any table top style microphone will cause all microphones in the system to mute until another tabletop microphone mute button is pressed. Un-muting a tabletop microphone will cause all tabletop microphones to un-mute and will return all Wearable microphones, Countryman and XLR adapters to

their previous state of individual mute capability. The 'Tabletop Master Mute' mode can be activated by selecting the option in the 'config' tab of the device window.

Note: When a Master mute is enabled either through the control system or by using Tabletop Master Mute mode, all Base Stations connected with a bus cable and assigned to the same mute group will be affected.

Config – Lock Front Panel:

The Front Panel display can be locked to keep the front panel controls from changing any configuration settings. The 'Lock Front Panel' mode can be activated by selecting the option in the 'config' tab of the device window.

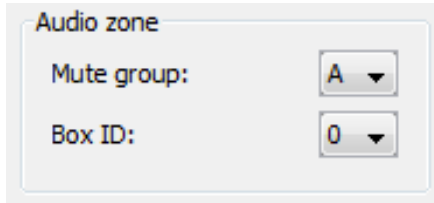
Config – Base Pairing Lock:

Pairing lock disables the functionality of the pairing buttons on the front of the HD Base Station preventing the user from pairing microphones to the system.

Note: Selecting the 'Pairing Lock' function will automatically reboot the HD base station.

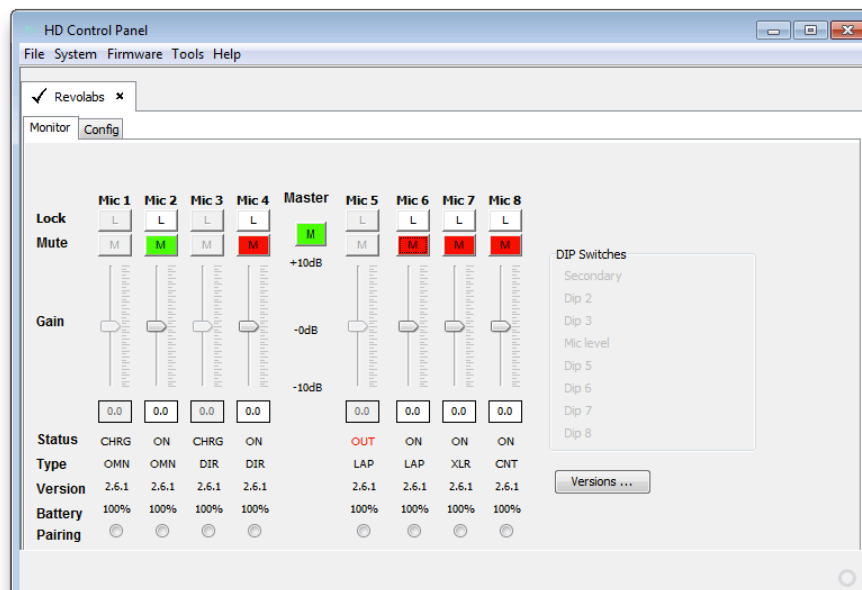
Config – Audio Zone:

Each Executive HD base station that is bussed together, using the 3 conductor BUS cable, can communicate mute commands and serial query commands over the BUS. Only systems assigned to the same 'Mute Group' will be able to communicate together regardless of how many systems are connected via the same BUS cable. Each base station within a single 'Mute Group' must be assigned a different 'Box ID' with the master system being assigned the 'Box ID' of '0'. Any two systems which are assigned the same 'Box ID' within the same 'Mute Group' will not function.



Status Monitoring

The Revolabs HD Control Panel monitors the Executive HD Base Station and Microphones. All status monitoring is located in the 'Monitor' tab of the device window.



Monitor – Microphone Lock:*

Each microphone has individual lock capabilities. By turning on the lock for a specific microphone, the microphone mute button will deactivate leaving the user without the ability to individually control the microphones mute status at the microphone. However, the HD Control Panel Software, as well as any connected Serial Control Processor, will still have the ability to control and monitor all locked microphones.

Note: *A microphone lock is stored in the Base Station. If a new microphone is paired to a locked channel, that microphone will then be locked as well. The same goes for a locked microphone that is paired to an unlocked channel, that microphone will then be unlocked.*

Monitor – Microphone Mute:*

Each microphone has individual mute capabilities. The HD Control Panel Software provides the user the ability to mute and unmute a microphone from their PC. These mute controls will always remain synchronized to the actual state of the microphone. If the microphone state is changed through another method, the mute controls will display that change.

Monitor – Microphone Gain:*

Each microphone has an individual gain fader. This fader provides +/- 10dB of gain in 5dB increments. The microphone gains are stored in the Base Station and will be applied to any microphone paired to that channel.

Monitor – Microphone Status:*

This provides the current status for the microphone paired to each channel. The status can read any of the following states:

- OFF = Microphone is has been turned off
- ON = Microphone is on and operational
- CHRG = Microphone is in the Charging Base
- OUT = Microphone is out of range and cannot communicate

Monitor – Microphone Type:

This provides the current type for the microphone that is paired to each channel.

Monitor – Microphone Version:

This provides the current firmware version for the microphone that is paired to each channel.

Note: *The microphone firmware version must match the Base firmware version for the system to function properly. A mismatch may result in no audio from the microphones.*

Monitor – Microphone Battery:

This provides the current battery level for the microphone that is paired to each channel and active. The value changes in 12.5% increments and represents the bottom of the range the battery is in. Therefore a value of 87% means that the battery level is between 87%-100%.

Monitor – Pairing:*

This provides the ability to activate pairing mode for the respective base station channel. It also provides the pairing status of any base station channel already in pairing mode. The pairing controls will work regardless of the state of the 'Base Pairing Lock'

Monitor – Versions:

This window provides the current firmware versions found in the Base Station.

Monitor – DIP Switches:

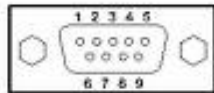
This displays the current state of the base station DIP switches. When a DIP switch is in the 'OFF' position the DIP function will remain "greyed out". When a DIP switch is in the 'ON' position, the functionality of that DIP switch will change to BLACK to indicated that the feature is active.

Using the Serial Control Processor (RS-232 or IP)

The Serial Control Processor allows the use of a third party control system or DSP to monitor and/or control the Executive HD Base Station and Microphones. The Executive HD Base Station must be configured for the correct "Serial Control Processor" using the Revolabs HD Control Panel software.

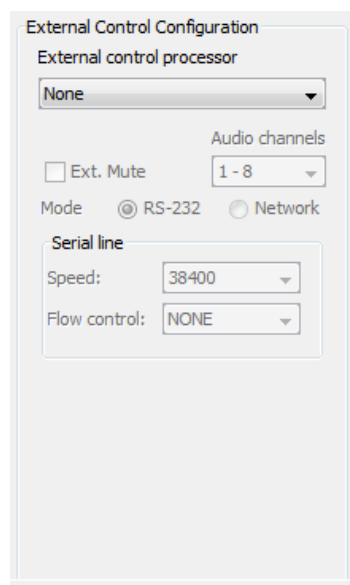
DB9 Pin-out:

Pin 2 = Rx
Pin 3 = Tx
Pin 5 = GND
Pin 7 = RTS
Pin 8 = CTS



Using the Executive HD Base Station with a Control System

The Executive HD Base Station is capable of being monitored and controlled via any serial capable control system. The only logic communication that takes place between multiple Base Stations, via the 'BUS' cable, is "Master Mute" state and global serial queries. Therefore, each Base Station requires its own serial connection to the control system in order to communicate. The "Control System" option must be selected, under the "External Control Processor" drop down menu, in the Executive HD Control Panel software, in order for this configuration to function properly. You must also set the RS-232 or Network settings of the Base Station to match the communication settings of the control system. If 'Network' is the chosen protocol for serial communication, the control system must utilize a "TCP/IP Server" module to communicate to the Executive HD base station.



When using a control system, the microphone mutes can be configured to “int. mute”, which mutes the microphone audio inside of the base station, or “ext. mute”, which allows the control system to choose another location for the mute to take place. When “ext. mute” is selected, the microphones will always pass audio no matter their mute state.

Note: Both a control system and DSP cannot be connected to a Base Station as a serial control processor at the same time. When using a control system, the DSP control must be done by the control system and not the Base Station.

Serial Command & Return Strings:

The Serial Strings of an Executive HD Base Station begin with the Argument and terminates with a Carriage Return. The Command String structure is as follows:

<Argument> <Command> ch <Channel #> <Value> <CR>

All variable changes to the microphone or Base Station will result in a Return String. A Return String will begin with “val” and terminate with a Carriage Return. You will receive a Return String for every value change that has taken place in the microphones or base station including changes that are a result of the Command String sent to the Base Station. The Return String structure is as follows:

val <Command> ch <Channel #> <Value> <CR>

String Table:

The following table represents the serial syntax of the Executive HD system. Any command marked with an asterisk will only function if the Base Station has Gold Enabled by entering that systems unlock code. (See *Revolabs HD Gold Control Panel*)

Argument	Command	Channel#	Value
set	lock*	1-8 = ch 1-8 A = All Mics	0 = Mic Lock Off 1 = Mic Lock On
set	mute	1-8 = ch 1-8 B = All Mics	0 = Unmute Mic 1 = Mute Mic
set	mute	A = Master Mute	0 = Master Mute Off 1 = Master Mute On 2 = Master Mute Toggle
set	gain*	1-8 = ch 1-8 A = All Mics	0 = 0db Absolute 1 = -0.5db Relative 2 = +0.5db Relative 80-120 = -10db - +10db in 0.5db increments
set	pair*	1-8 = ch 1-8	1 = Activate Pairing
set	pwr*	1-8 = ch 1-8 A = All Mics	0 = Power Off Microphone
set	um		0 = UnMute @ Startup Off 1 = UnMute @ Startup On
set	tm		0 = TableTop Mute Off 1 = TableTop Mute On



set	fp		0 = Front Panel Display Lock OFF 1 = Front Panel Display Lock ON
set	pair*		0 = Base Pairing Lock OFF 1 = Base Pairing Lock ON
get	lock*	1-8 = ch 1-8 A = All Mics	(Mute Lock Status)
get	mute	1-8 = ch 1-8 A = Master Mute B = All Mics	(Individual or Master Mute Status)
get	gain*	1-8 = ch 1-8 A = All Mics	(Mic Gain Status)
get	type*	1-8 = ch 1-8 A = All Mics	(Mic Type Status)
get	batt	1-8 = ch 1-8 A = All Mics	(Mic Battery Status)
get	pair*	1-8 = ch 1-8 A = All Mics	(Base Pairing Status)
get	pair*		(Base Pairing Lock Status)
get	fp		(Base Front Panel Lock Status)
get	tm		(Base TableTop Mute Status)
get	um		(Base UnMute @ Startup Status)
get	fw		(System Firmware Revisions)
val	lock*	1-8 = ch 1-8	0 = Mic Lock Off 1 = Mic Lock On
val	mute	1-8 = ch 1-8 A = Master Mute	0 = Unmuted 1 = Self Muted (TT Master Mute Mode) 2 = Muted 3 = Microphone Off 4 = Microphone Out of Range* 5 = Microphone Charging*
val	gain*	1-8 = ch 1-8	80-120 = -10db - +10db in 0.5db increments
val	type*	1-8 = ch 1-8	0 = Lapel (Wearable) 1 = Tabletop Omnidirectional 2 = Tabletop Directional 3 = XLR Adapter 4 = Countryman Adapter
val	batt	1-8 = ch 1-8	0 = empty 1 = 25% 2 = 50% 3 = 75% 4 = 100%
val	pair*	1-8 = ch 1-8	0 = Pairing Inactive 1 = Pairing Active
val	pair*		0 = Base Pairing Unlocked 1 = Base Pairing Locked

val	fp		0 = Front Panel Unlocked 1 = Front Panel Locked
val	tm		0 = TableTop Mute Inactive 1 = TableTop Mute Active
val	um		0 = Mic UnMute @ Startup Inactive 1 = Mic UnMute @ Startup Active
val	sysfw	1-8 = ch 1-8	xxxxxxx = xx.xx.xx
	micfw		xxxxxxx = xx.xx.xx

Channel #:

The options for the <Channel#> portion of the serial strings are “1-8” since each Base station can only control up to 8 channels of an Executive HD microphone system. The <channel#> corresponds to the physical channel that the microphone is paired to on the front of each Base Station.

A <Channel#> of “A” will control all mics. This command must only be sent to the Base Station that is set to “Local”. “Remote” Base Stations will not accept the command.

Examples:

The following strings would unmute microphone channel 3:

Command: *set mute ch 3 0* Return: *val mute ch 3 0*

The following strings would turn on the Master Mute:

Command: *set mute ch A 1* Return: *val mute ch A 1*

The following strings would retrieve the battery status of mic 5 @ 100%:

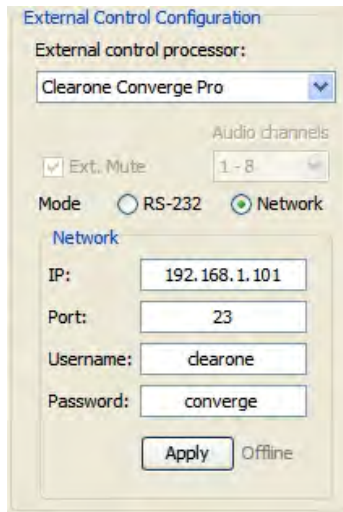
Command: *get batt ch 5* Return: *val batt ch 5 4*

Using the Executive HD Base Station with a DSP

The Executive HD system is designed to control the mutes of a DSP directly in the event that a control system is not present. The Base Station must be configured for the correct “Serial Control Processor”, using the Executive HD Control Panel software, in order to send the mute commands to the DSP. In addition, each DSP model must be configured correctly to receive mute commands.

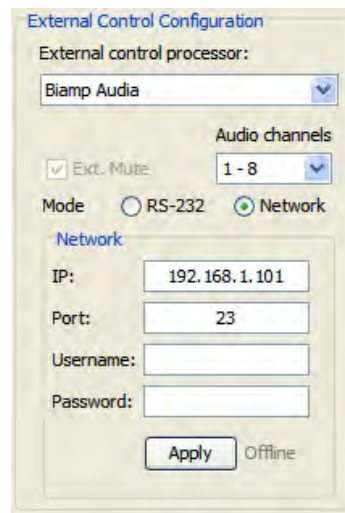
ClearOne Converge & XAP

When using the Base Station along with a ClearOne DSP, you must select the corresponding DSP product line from the “Serial Control Processor” menu in the Revolabs HD Control Panel software. You must also set the RS-232 or Network settings of the Base Station to match the communication settings of the ClearOne DSP. The Base Station will only control the mutes of the DSP it is connected to via RS232 or IP. An 8-channel Base Station will control microphone channels 1-8 of the DSP, and a 4-channel Base Station will have the choice of controlling microphone channels 1-4 or 5-8 of the DSP.



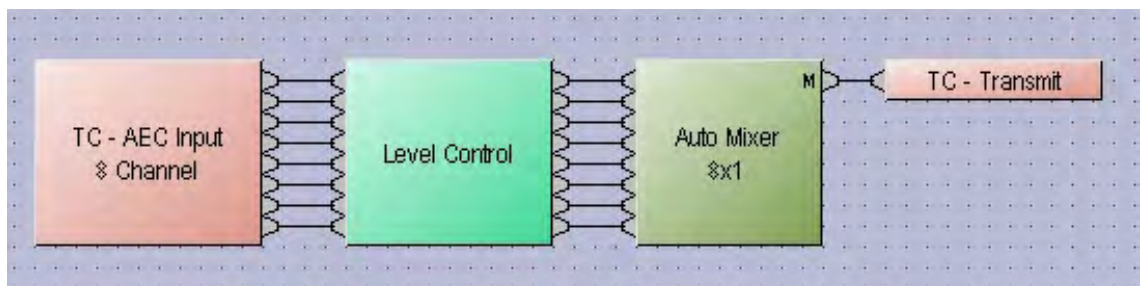
Biamp Audia & Nexia

When using the Base Station along with a Biamp DSP, you must select the corresponding DSP product line from the “Serial Control Processor” menu in the Revolabs HD Control Panel software. You must also set the RS-232 or Network settings of the Base Station to match the communication settings of the Biamp DSP as well as select the ‘Audio Channels’ of the microphones that the Base Station is to simulate.(i.e. 1-8, 9-16, etc.)

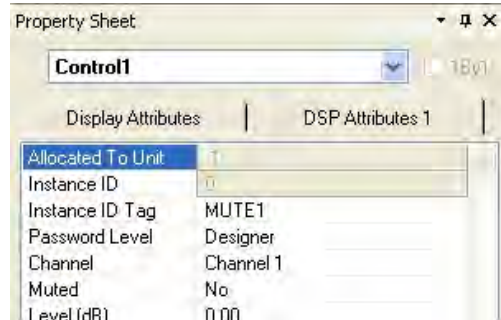


Each Base station will control the mutes of a “level block”, within the DSP programming, using that block’s instance ID tag. The tags are as follows:

Audio Channels 1-8	MUTE1
Audio Channels 9-16	MUTE2
Audio Channels 17-24	MUTE3
Audio Channels 25-32	MUTE4
Audio Channels 33-40	MUTE5 (EU & CN Versions only)



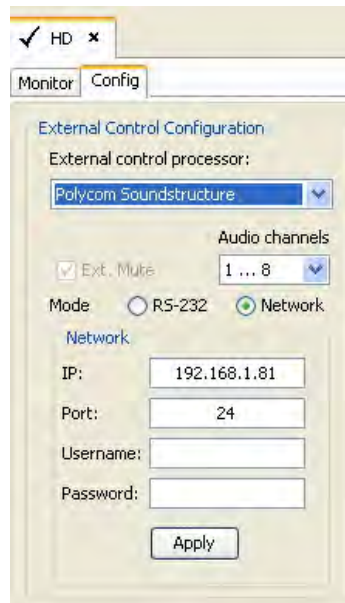
So for example, if you set the 'Audio channels' for the microphones to 1-8 in the Control Panel, then the Base Station will use the instance ID tag of "MUTE1", and control the first 8 mutes in that fader block.



Note: Instance ID tags are case sensitive and must be entered correctly in order to function properly. A "level block" must be used as the method of muting.

Polycom SoundStructure

When using the Base Station along with a Polycom SoundStructure, you must select the corresponding DSP product line from the "Serial Control Processor" menu in the Revolabs HD Control Panel software. You must also set the RS-232 or Network settings of the Base Station to match the communication settings of the Polycom SoundStructure as well as select the 'Audio Channels' of the microphones that the Base Station is to simulate.(i.e. 1-8, 9-16, etc.)



Each Base station will control the mutes of each individual microphone channel, within the DSP programming, using that channel's name. The name structure is as follows:

Channels 1-8	Revo 1 - Revo 8
Channels 9-16	Revo 9 - Revo 16
Channels 17-24	Revo 17 - Revo 24

Channels 25-32 Revo 25 - Revo 32
 Channels 33-40 Revo 33 – Revo 40 (EU & CN Versions Only)

So for example, if you set the 'Audio channels' range for the microphones to 1-8, in the Control Panel, then the Base Station will use the DSP channel name of "Revo 1" to control mute for the microphone paired to channel 1 of the Base Station.

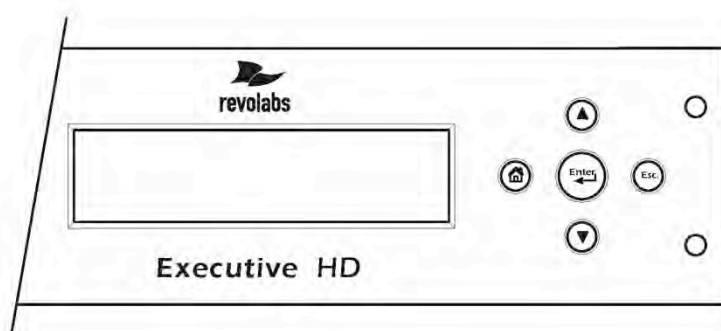
Note: Channel names are case sensitive and must be entered correctly to function properly.



Using the Base Station Front Panel Display

The Base Station has four or eight indicator LEDs (one for each channel) and pairing push buttons on the front panel. (See Section *Pairing Wireless Microphones to Base*) When the LED is flashing GREEN or RED, that channel is active and connected to a wireless microphone (GREEN is for live audio, RED is for muted). When the LED is OFF, the channel is inactive (the microphone is out of range or turned off).

The LCD and menu buttons are designed to provide the system installer the ability to access certain configuration settings directly from the front panel instead of having to use the Revolabs HD Control Panel software.



- ▲ Navigation up
- ▼ Navigation down
- 🏠 Return to Main Menu
- ↵ Select Item
- Esc. Backup one menu level

The user can choose to have the front panel display the current firmware, the current IP address and box name, or the MAC address of the Base Station during normal operation. During a firmware upload, the front panel will display the current progress of the firmware upload.

The following is a list of the configuration settings that can be changed using the front panel display controls.

1. Select High Definition or Max Density modes
2. Select the Transmit Power of the Base Station

3. Select Table Top Mute mode
4. Change the Low Pass Filter
5. Select DHCP or Fixed IP modes
6. Select Redundancy Mode
7. Select Power Scaling Mode
8. Select Mute Group

Note: Switching between High Definition, Max Density, and Redundancy modes will cause the Base Station to automatically reboot. A change in the IP configuration will require a power cycle to take effect.

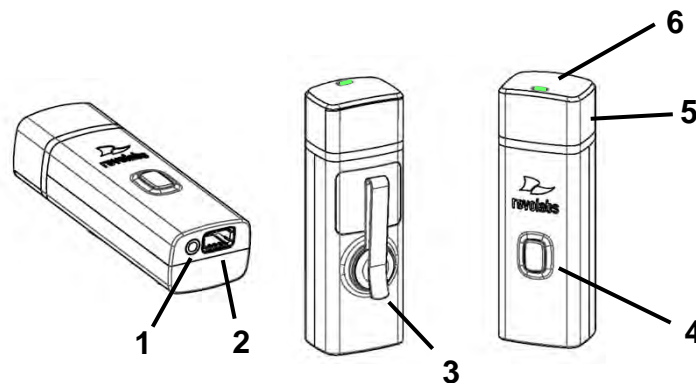
Revolabs HD Microphones and HD Microphone Adapters

Use any of five microphones with your Revolabs ExecutiveHD™ System:

- Revolabs HD Wearable Wireless Microphone
- Revolabs HD Omni-directional Tabletop Wireless Boundary Microphone
- Revolabs HD Uni-directional Tabletop Wireless Boundary Microphone
- Revolabs HD Universal Wireless Adapter for Handheld Microphones
- Revolabs HD Wireless Adapter for Countryman Microphones

Using the HD Wearable Wireless Microphones

The Revolabs HD Wearable Microphones, shown in the following figure, are paired to the Base Station and can be worn on the user's shirt pocket, lapel or on a lanyard. They provide high quality full duplex audio between each user and the conferencing or audio system.



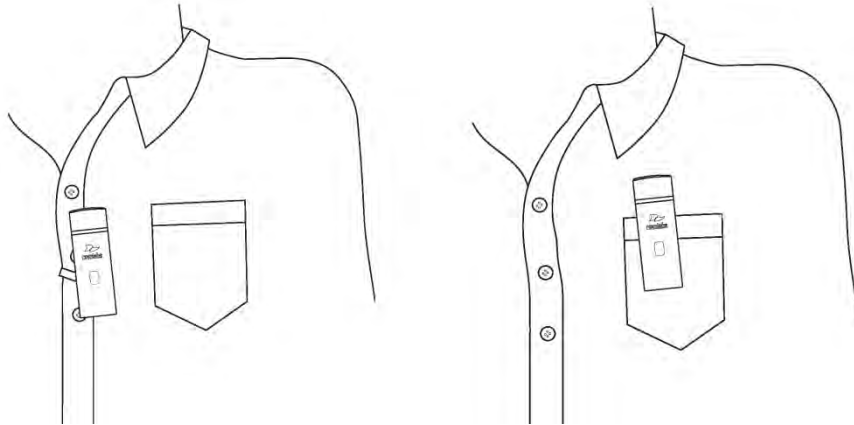
1. Earpiece jack — accepts the 2.5mm plug for the earpiece.
2. Charging port — docks to Revolabs HD Charger Bases.
3. Pocket clip — also used to attach microphone to a lapel, blouse or lanyard.
4. Mute Button — press to mute, un-mute and pair microphone.
5. Acoustic Cover — protects delicate microphone element (non-removable).
6. LED display — visual status for mute, un-mute, and pairing.

Note: Microphones in new systems must be paired to the Base Station with each microphone assigned to a unique channel on the base unit. See pairing instructions below.

Revolabs HD Wearable Microphones turn on and mute automatically when removed from Charger Base, to reduce noise while being attached.

To use the HD Wearable Microphone:

5. Remove the microphone from the Charger Base.
6. Attach the microphone to clothing or to a lanyard, position microphone just above the sternum or breastbone, within 6 - 12 inches (15 – 30cm) from the mouth is recommended. Make sure microphone is attached securely with the microphone LED indicator pointed up toward mouth.



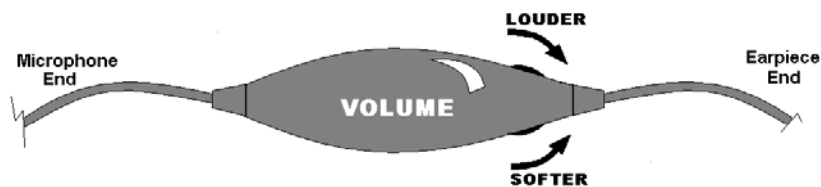
7. With the microphone in the wearing position, un-mute the microphone by pressing and releasing the Mute button (confirm by a flashing GREEN LED). If the volume is too low, move the microphone closer to the mouth.
8. To turn microphones off, return the microphone unit to the Charger Base or press and hold the Mute button for ~10 seconds until the LED turns solid RED then release button.

If the microphones are moved out of range of the Base Station (~300 feet or 91 meters) the connection will be dropped (LED flashes all red, green, yellow) and the microphone will mute.

After 15 seconds the microphone will beep 5 times, and will continue beeping every 30 seconds to remind the user to return the microphone to the conference room. If the microphone is moved back into range within 15 minutes the connection will automatically be re-established to its original state, and the beeping will cease. If not, the microphone will turn off.

Adjusting the Volume on the Wearable Microphone Earpiece

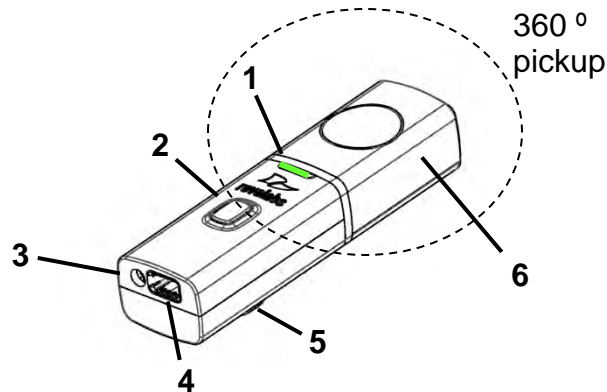
To change the volume on the Wearable microphone earpiece, use the dial on the earpiece wire.



Turning the dial towards the earpiece, as shown in the figure, will increase the volume, and turning the dial towards the microphone will decrease the volume. Use the attached clothing clip to secure the earpiece wire.

Using the HD Omni-Directional Tabletop Wireless Boundary Microphones

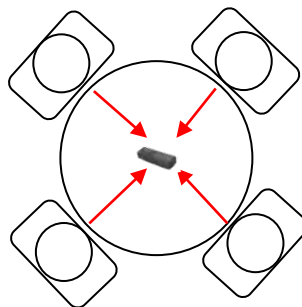
The HD Omni-directional Tabletop Wireless Boundary Microphones enable multiple conference attendees to use a single microphone.



1. LED display — visual status for mute, un-mute, and pairing.
2. Mute button — press to mute, un-mute and pair microphone.
3. Audio jack — accepts a 2.5mm plug.
4. Charging port — docks to Revolabs HD Charger Bases.
5. Rubber feet — non-slip, vibration absorbing pads.
6. Acoustic Cover — protects delicate microphone element (non-removable).

To use the HD Omni Tabletop Microphone:

9. Remove the microphone from the Charger Base to turn on and automatically mute the mic. (indicated by a flashing RED LED)
10. Omni Tabletop microphones can be centered on the table within 2 to 6 feet (0.6 to 2m) away from people speaking and do not need to be pointing any particular direction because they pick up sound from all directions. It is always better to be as close to the person speaking as possible, but avoid placing the microphone where it might be blocked by equipment or paperwork. Avoid placing microphones too close to an audio or video conference speaker to avoid echoes. Make sure that the microphone is always placed lying on its rubber feet atop a flat surface.



11. With the microphone in position on the table, un-mute the microphone by pressing and releasing the Mute button (confirm by a flashing GREEN LED).

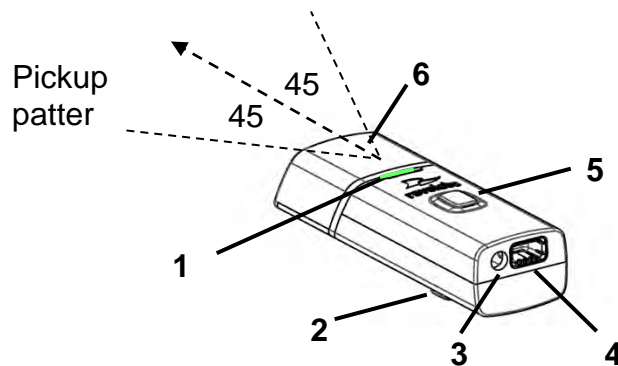
12. To turn microphone off, return the microphone unit to the Charger Base or press and hold the Mute button for ~10 seconds until the LED turns solid RED and release button.

If the microphones are placed too far from the Base Station (~300 feet or 91 meters) the connection will be dropped (LED flashes all colors) and the microphone will mute. After 15 seconds the microphone will beep 5 times, and will continue beeping every 30 seconds to indicating it's out of range.

Move the microphone closer to the Base Station and the connection will automatically be re-established to its original state, and the beeping will cease. If not, the microphone will continue beeping until it turns off in about 15 minutes.

Using the HD Directional Tabletop Wireless Boundary Microphones

The HD Tabletop Wireless Microphone, shown below, is designed to provide optimum coverage when placed on a conference room table in front of one or two people.

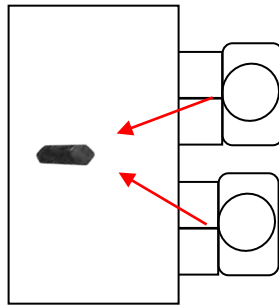


1. LED display — visual status for mute, un-mute, and pairing.
2. Rubber feet — non-slip, vibration absorbing pads.
3. Audio jack — accepts a 2.5mm plug.
4. Charging port — docks to Revolabs HD Charger Bases.
5. Mute button — press to mute, un-mute and pair microphone.
6. Acoustic Cover — protects microphone element (non-removable).

To use the HD Directional Tabletop Microphone:

13. Remove the microphone from the Charger Base to turn on and automatically mute the mic. (indicated by a flashing RED LED)

14. Directional Tabletop microphones should be located on the table with the acoustic cover pointed toward the users, trying to keep the microphone 2 to 6 feet (0.6 to 2m) from the target person or two. The pick-up pattern for this directional microphone is ~+/- 45° to either side of directly in front of the microphone. It is always better to be as close to the person speaking as possible, but avoid placing the microphone where it might be blocked by equipment or paperwork. Avoid placing microphones too close to an audio or video conference speaker to avoid echoes. Make sure that the microphone is always placed lying on its rubber feet atop a flat surface. Refer to diagram below:



15. With the microphone in position, un-mute the microphone by pressing and releasing the Mute button (confirm by a flashing GREEN LED).

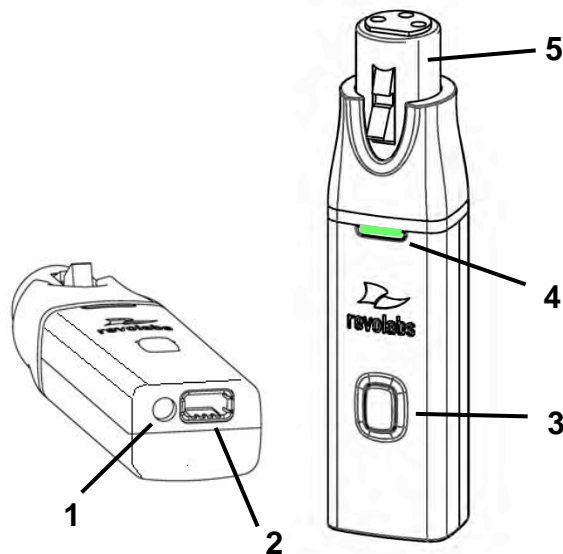
16. To turn microphone off, return the microphone unit to the Charger Base or press and hold the Mute button for ~10 seconds until the LED turns solid RED and release button.

If the microphones are placed too far from the Base Station (~300 feet or 91 meters) the connection will be dropped (LED flashes all colors) and the microphone will mute. After 15 seconds the microphone will beep 5 times, and will continue beeping every 30 seconds to indicating it's out of range.

Move the microphone closer to the Base Station and the connection will automatically be re-established to its original state, and the beeping will cease. If not, the microphone will continue beeping until it turns off in about 15 minutes.

Using the HD XLR Microphone Wireless Adapter

The HD Wireless XLR Adapter for Handheld Microphone, shown in the following figure, connects to a handheld dynamic microphone for wireless freedom during open mic meetings, Q&A sessions, classrooms, etc.

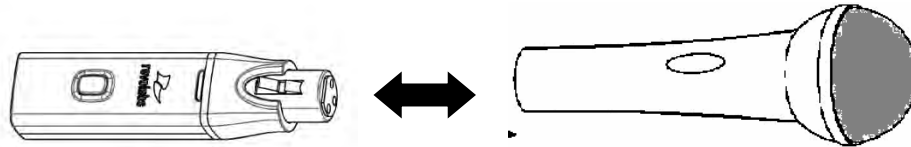


1. Audio Out port — accepts the 2.5mm plug for the earpiece.
2. Charging Port — docks to all Revolabs HD Charger Bases.
3. Mute button — press to mute, un-mute and pair microphone.
4. LED display — visual status for mute, un-mute, and pairing.
5. XLR Female connector — balanced audio for dynamic microphones.

To use the HD Universal Wireless Adapter:

17. Remove the Microphone Adapter from the Charger Base.

The adapter turns on and mutes automatically when removed from Charger Base (flashing RED LED). The XLR Microphone Adapter is attached to a standard dynamic microphone to convert it from a wired microphone to a wireless microphone (see following figure).



Note: The Adapter does not provide phantom power or bias current so it cannot be used with condenser or electret microphones.

18. With the microphone attached, un-mute the Adapter by pressing and releasing the Mute button (confirm by a flashing GREEN LED).

Note: If the microphone has an on-board mute switch, this switch must also be un-muted prior to use.

19. To turn the Adapter off, return the microphone unit to the Charger Base or press and hold the Mute button for ~10 seconds until the LED turns solid RED then release button.

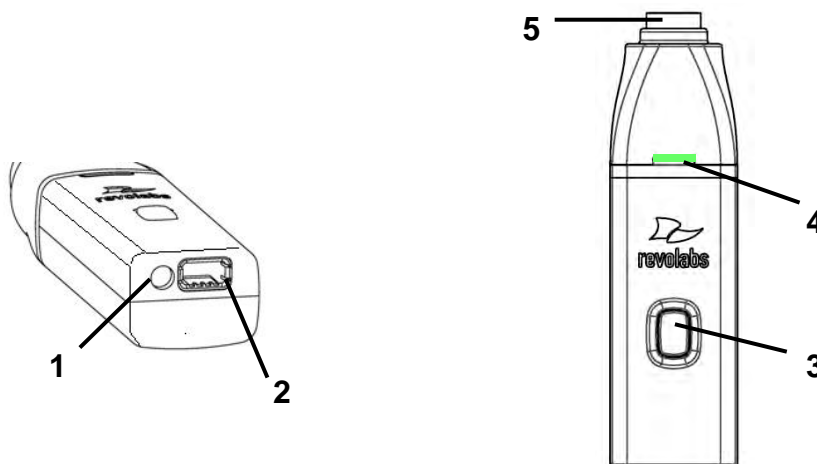
Important: Always remove the microphone from the Adapter by pressing the latch switch and separating the parts before returning the Adapter to the Charger Base.

If the Adapter is moved too far from the Base Station (~300 feet or 91 meters) the connection will be dropped (LED flashes all colors) and the audio will mute. After 15 seconds the microphone will beep 5 times, and will continue beeping every 30 seconds to indicate that it is out of range.

Move the XLR Adapter closer to the Base Station and the connection will automatically be re-established to its original state, and the beeping will cease. If not, the XLR Adapter will continue beeping until it turns off in about 15 minutes.

Using the HD Wireless Adapter for Countryman Microphone

The HD Wireless Adapter for Countryman Microphones, shown in the following figure, is connects to a Countryman microphones for wireless freedom for broadcasting applications with no bulky equipment, such as a belt pack or batteries.



1. Audio Out port — accepts the 2.5mm plug for the earpiece.
2. Charging Port — docks to all Revolabs HD Charger Bases.
3. Mute button — press to mute, un-mute and pair microphone.
4. LED display — visual status for mute, un-mute, and pairing.
5. TA4M connector — connects to Countryman microphone cable.

To use the HD Wireless Adapter for Countryman Microphone:

20. Remove the Microphone Adapter from the Charger Base.

The adapter turns on and mutes automatically when removed from Charger Base (flashing RED LED). The Microphone Adapter is attached to a Countryman Microphone with the specific cable designed for Revolabs. The HD Wireless Adapter for Countryman microphone supplies the necessary phantom power specifically for the Countryman microphone.

21. To turn the Adapter off, return the microphone unit to the Charger Base or press and hold the Mute button for ~10 seconds until the LED turns solid RED then release button.

Important: Always remove the microphone from the Adapter and separate the parts before returning the Adapter to the Charger Base.

If the Adapter is moved too far from the Base Station (~300 feet or 91 meters) the connection will be dropped (LED flashes all colors) and the audio will mute. After 15 seconds the microphone will beep 5 times, and will continue beeping every 30 seconds to indicate that it is out of range.

Move the Countryman Adapter closer to the Base Station and the connection will automatically be re-established to its original state, and the beeping will cease. If not, the Countryman Adapter will continue beeping until it turns off in about 15 minutes.

Pairing Wireless Microphones to Base Station

Pairing creates a link between the HD wireless microphone and the Base Station, with a unique electronic serial number. When the microphone and Base Station have been previously paired, the mic will automatically try to connect to the same Base Station whenever it is lifted from the Charger Base.

Note: *Microphones in new systems must be paired to the Base Station with each microphone assigned to a unique channel on the base unit.*

Remember, microphones are by default muted (flashing RED LED) when they are removed from the Charger Base and the Mute button needs to be pressed to make it “live” (flashing GREEN LED).

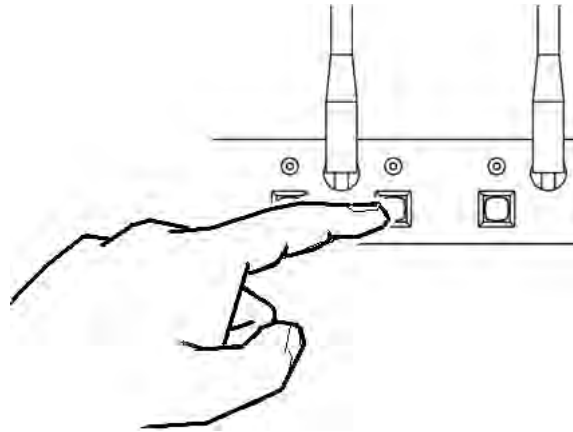
A microphone that is not paired will be indicated by a cycling RED-GREEN LED pattern. A Base Station channel that is not paired to a microphone will not show any activity on the channel LED (make sure unit is first powered on by observing GREEN backlit front panel display).

When channels are paired, both microphone and channel LEDs will flash RED as microphones are removed from the Charger Base and flash GREEN when un-muted. Remember that only one microphone can be paired to any single Base Station channel.

“Express Pair” is a tool in the HD Control Panel Software that can be used to pair all the microphones in a Charger Base to a Base Station at the same time. (See: *Tools – Express Pair*)

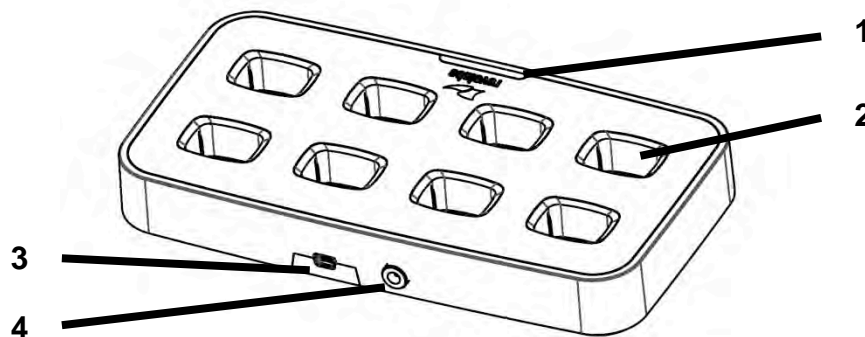
To pair an individual microphone to the Base Station:

1. Turn the microphone OFF (no LED activity). If the microphone is ON, press and hold the Mute button for 10 seconds until the LED turns solid RED then release the button to turn the unit off. (do not release the button when you hear two beeps).
2. Place the microphone unit into pairing mode by holding the Mute button down for seven seconds. The LED will turn solid RED. Release the Mute button. The microphone is now in pairing mode.
3. Within one minute, push and hold the button for the desired channel on the Base Station for seven seconds until the LED turns solid red then release. The LED for that channel will be solid red until pairing starts, as indicated by a quick GREEN flash, then switching to flashing RED on both the microphone and the Base Station (muted audio). Pairing is now complete.



Revolabs Executive HD Charger Base

When Microphones are not in use, they should be properly inserted into the Executive HD Charger base. It is important to ensure that all system microphones are inserted fully in the base so that charging will occur. While charging in the Charger Base, the Charger Base USB connection may be used to either update HD Microphone firmware or “Express Pair” the microphones to the Base Station. The microphone charging ports are numbered 1-8 from left to right and back to front. Therefore the rear left port is number 1 and the front right port is number 8. Features of the base are shown in the following figure.



1. **LED indicator** — power status indicator.
2. **Charger Bays** — charges up to 8 Microphones.
3. **Mini USB Interface** — computer serial interface for firmware upgrades to the microphones (on rear).
4. **Power Cord Receptacle** — power supply input, 9-24VDC (on rear).

Note: A 4-channel Charger must be used with a 4-channel Base Station and an 8-channel Charger must be used with an 8-channel Base Station for an express pair to be successful.

Power Module

The Charger Base requires 9-24VDC power, provided by the AC Adapter. Plug the supplied AC adapter into an appropriate power outlet 110-240 AC, 50-60Hz. The power LED on the Charger Base will illuminate.

Charging the Microphone Batteries

First-time use — Before using the wireless microphone the first time, charge the batteries in the microphones for eight hours (or overnight) in the Charger Base.

Recharging — When the YELLOW LED starts to flash intermittently on the microphone the battery has 30 minutes of charge remaining. Over time (years), batteries gradually wear down and require longer charging times. This is normal. Always return microphones to the Charger Base when not in use.

Important: Do not open or try to modify any of the batteries delivered with the Revolabs HD microphones. The latest releases of the Revolabs HD microphones include field replaceable batteries. Replace these batteries only with Revolabs approved batteries. In Revolabs HD microphones manufactured before mid of 2012, the Lithium Polymer rechargeable batteries that power the microphones may not be user replaceable. To determine whether the battery is user replaceable, identify the first digit of the serial number, and reference the table below.

Serial # starts with:	Is it user replaceable?
0	NO
4	NO
5	NO
6	NO
7	YES
8	YES

Please contact Revolabs (www.revolabs.com) or your AV service provider for replacement instructions and to assure the proper disposal method is used. **Warning: Never dispose of batteries in a fire because they may explode.**

Either a solid RED LED (charging) or solid GREEN LED (100% charged) will appear to confirm that the microphone is inserted properly in the Charger Base. The microphones are not transmitting audio to the Executive HD base station while in the Charger Base. In normal use, batteries should fully charge in about 2 hours, but will “quick-charge” to 80% capacity in approximately 1 hour and 20 minutes. Fully charged microphones left in the Charger Base remain solid GREEN.

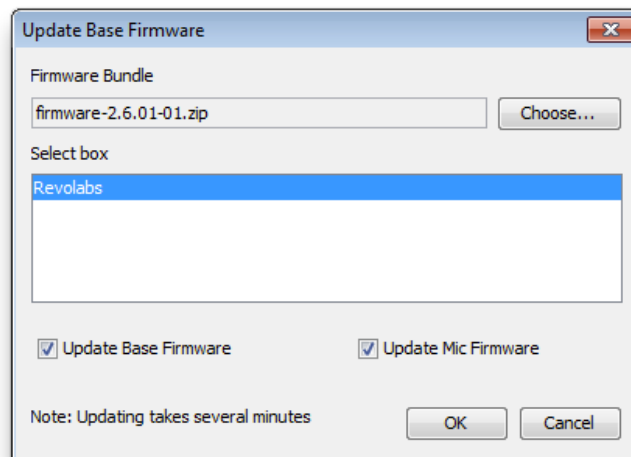
Updating the Revolabs HD™ Firmware

Executive HD Systems are field upgradable for the firmware portion of the Base Station and microphones. The firmware must be sent to both the Base station and microphone using the HD Control Panel program.

Note: *If your Base Station and microphones have different firmware versions, they may not work together. Confirm that your Base Station and microphones are updated before use.*

Updating the Executive HD Base Station & Microphones

The Executive HD Base Station firmware can be changed using the Revolabs HD Control Panel program. You can download the latest firmware at www.uc.yamaha.com/downloads. The same firmware file can be used for all Revolabs HD™ Products. Communication to the Base Station is done over an Ethernet connection, and communication to the microphones is done through the Charger Base via Mini-USB cable.



1. **Go to www.uc.yamaha.com/downloads, download the latest firmware file and save it to your PC. The firmware file must remain in its .zip format in order to function correctly.**

2. **Connect the Charger Base to your computer using the Mini-USB cable provided. Make sure that the charger is plugged in and powered on and that the microphones are in it.**
3. **Connect to the Base Station using an Ethernet cable. This can be done via a direct connection to the PC or through a DHCP router or switch.**
4. **Set your PC IP address. The PC and Base station must be both set to a fixed IP address or both connected to a DHCP router and have DHCP turned on. (See *Using the Revolabs HD Control Panel Software*)**
5. **Start the Revolabs HD Control Panel software.**
6. **Select 'Scan Network' from the 'System' menu.**
7. **Select the Base Station you which to update and click 'OK'**
8. **Select 'Update Firmware' from the 'Firmware' menu.**
9. **Browse to the firmware file on your PC and click 'OK'**
10. **Select the Base Station that you would like to update.**
11. **Choose whether you would like to update the base, mics, or both.**
12. **Select OK and watch the firmware process either on the Base Station front panel display or in the 'monitor' tab in the Revolabs HD Control Panel program. The HD Control Panel will notify you when the process is complete.**



Note: A Base Station must either be connected to a DHCP server or have a fixed IP address in order to receive a firmware update. A Base Station that is set to DHCP with no DHCP server present will fail in any update attempt.

Revolabs Executive HD™ Indicator LEDs

The following tables show activities associated with the various states shown by the LEDs:

Equipment Use	Microphone LED	Base Station Channel LEDs	Meaning
Microphone in Charger Base	Solid RED	OFF	Charging in Progress
	Solid GREEN	OFF	Charging Complete
Microphone not in Charger Base	OFF	OFF	Microphone powered OFF or battery discharged
	Two RED flashes every 1.5 seconds	Two RED flashes every 1.5 seconds	Microphone paired and muted
	GREEN flash every 1.5 seconds	GREEN flash every 1.5 seconds	Microphone paired and “live”
	Solid RED	Solid RED	Pairing mode or confirmation of powering-down.
	Alternating slow GREEN and RED	Alternating slow GREEN and RED	Microphone or channel not paired
	YELLOW flash alternating with GREEN	GREEN Flashing	Microphone low battery (mic live)
	YELLOW flash alternating with two RED flashes	RED Flashing	Microphone low battery (mic muted)
	Alternating RED, YELLOW, GREEN	OFF	Searching for a connection, or out of radio range. The Microphone will try to re-establish the link for about 15 minutes, and then turn off automatically.
	Rapid RED flashes continuing for more than a few seconds	OFF	Radio congestion – it is not possible to make a radio connection because there are already too many nearby users, or there is heavy radio interference. Possibilities include some types of digital wireless devices or other Revolabs installations.
	Groups of five rapid RED flashes	OFF	Unit is faulty. Contact your AV service provider for advice.

Revolabs Executive HD MaxSecure

The Revolabs Executive HD MaxSecure product version provides AES 256 encryption of the data signal between HD MaxSecure microphones and MaxSecure receivers. Encryption keys are automatically and securely negotiated between the microphone and the receivers during linking, and re-negotiated and updated every 60 seconds after that.

All functionality of the Revolabs Executive HD systems is available with the Revolabs Executive HD MaxSecure systems. The HD Control panel will manage an Executive HD MaxSecure receiver the same way as it does a regular receiver. Pairing and linking of microphones and receivers function in the same way as with regular Executive HD systems. It is transparent to the user that AES 256 encryption technology is being used.

Revolabs Executive HD MaxSecure receivers and HD MaxSecure microphones can only be used with each other. MaxSecure microphones can only link to a MaxSecure receiver, and regular microphones cannot link to a MaxSecure receiver. Pairing using the front button of the receiver will also limit MaxSecure microphones to link to MaxSecure receivers, and not allow regular microphones to pair to MaxSecure receivers. Using the express pair option it is possible to pair MaxSecure microphones to regular receivers and regular microphones to MaxSecure receivers. However, when removing the microphones from the charger in either case they will not be able to link to the receiver, continuing to show the not linked LED pattern (Red-Amber-Green-Amber).

Warranty

Yamaha Unified Communications Inc. warrants this product to be free of manufacturing defects. Repair or replacement of any defective part or unit (at the discretion of the Seller) will be free of charge for the period defined in the Revolabs Professional Products Limited Warranty.

Any attempt by the user to alter the equipment, or equipment damaged by negligence, accident, or Acts of God voids this warranty.

The Seller shall not be liable for any consequential damage resulting from the malfunction of this product. Should the user experience unsatisfactory performance from this equipment, contact the Seller to obtain instructions for return, or replacement, as deemed necessary.

This warranty is not transferable by the original end user. Complete details and terms of the Limited Warranty can be found at www.uc.yamaha.com.

Yamaha Unified Communications Inc.
144 North Road, Suite 3250
Sudbury, MA 01776
uc-support@music.yamaha.com
800.326.1088

Specifications

Dimensions, (L, W, H) and Weight:

Executive Base Station	16.9" (43.03 cm) x 8.0" (20.32 cm) x 1.7" (4.42 cm), 6.5 lbs. (2.95 kg)
Charger Base	8.3" (21.1 cm) x 4.3" (10.9 cm) x 1.0" (2.56 cm), 1.0 lb. (0.45 kg)
Wireless Microphones	Wearable: 0.9" (2.3 cm) x 0.8" (2.0 cm) x 2.6" (6.6 cm), 0.05 lb. (0.02 kg) TableTop: 1.5" (3.8 cm) x 0.8" (2.0 cm) x 3.3" (8.4 cm), 0.05 lb. (0.02 kg) XLR Adapter: 0.9" (2.3 cm) x 0.8" (2.0 cm) x 4.0" (10.2 cm), 0.05 lb. (0.02 kg) Countryman: 0.9" (2.3 cm) x 0.8" (2.0 cm) x 3.54" (9 cm), 0.07 lb. (0.03 kg)
Shipping Weight	12.0 lbs. (5.45 kg)

Radio Frequency:

01-HDEXEC (and other 01-HD* products)	1.92 to 1.93 GHz (UPCS North America)
03-HDEXECEU (and other *EU products)	1.88 to 1.90 GHz (DECT EU)
03-HDEXECCN (and other *CN products)	1.90 to 1.92 GHz (DECT CN)
03-HDEXECJP (and other *JP products)	1.895 to 1.903 GHz (DECT JP)

Maximum Output	15.7dBm 37.15mW
Channel spacing:	1.728 MHz
Modulation:	GFSK
Class:	ISM

Connectors:

Base Station Audio	mini-Phoenix (3.5mm) quick connect terminal blocks (8/4 In & Out)
Sync BUS In/Out	mini-Phoenix (3.5mm) quick connect terminal block
Diversity Antenna	SMA Plug Female Base, Male Antenna (50 ohm)
Control Port	DB9 Socket
Ethernet	RJ45
Charger Base	DC power input port, Mini-USB, Proprietary 4 pin microphone charge jacks
Microphone	Proprietary 4 pin charge plugs, 2.5mm mono earplug port (16 ohm)

Power Requirements:

Executive Base Station	100-240V AC, 50-60 Hz, 20W peak (power cable varies by country)
Charger Base	24V DC, 2 Amps (switching power supply varies by country)

Range: 300' (90 meters) approx. *(Note: actual range depends on RF signal absorption, reflection, and interference)*

Recommended Maximum Audio Channels:

Yamaha Unified Communications, Inc. recommends the following maximum number of active audio channels in one area (room / auditorium) at any given time. This recommendation is based on experience using our microphones in dense installations. The recommended number of maximum audio channels is not based on physical restrictions. **If more audio channels are required, please contact Yamaha Unified Communications, Inc. at uc-support@music.yamaha.com for an in-depth site analysis of areas where you would like to install channels in excess of what is recommended.**

In High Definition mode (14,000 Hz audio)

01-HDEXEC(-AES)	16 channels recommended (2 systems)
01-HDEXEC4(-AES)	16 channels recommended (4 systems)
03-HDEXECEU (-AES)	24 channels recommended (3 systems)
03-HDEXEC4EU(-AES)	24 channels recommended (6 systems)
03-HDEXECCN (-AES)	24 channels recommended (3 systems)
03-HDEXEC4CN(-AES)	24 channels recommended (6 systems)
03-HDEXECJP(-AES)	16 channels recommended (2 systems)
03-HDEXEC4JP(-AES)	16 channels recommended (4 systems)

In Maximum Density mode (12,000 Hz audio)

01-HDEXEC(-AES)	32 channels recommended (4 systems)
01-HDEXEC4(-AES)	32 channels recommended (8 systems)
03-HDEXECEU (-AES)	40 channels recommended (5 systems)
03-HDEXEC4EU(-AES)	40 channels recommended (10 systems)
03-HDEXECCN(-AES)	40 channels recommended (5 systems)
03-HDEXEC4CN(-AES)	40 channels recommended (10 systems)
03-HDEXECJP(-AES)	32 channels recommended (4 systems)
03-HDEXEC4JP(-AES)	32 channels recommended (8 systems)

Battery: Lithium Polymer, Up to 8 hours approx. talk time

Charge Time: 2 hours approx.

Audio Bandwidth: 50-14,000 Hz or 50-12,000 Hz (Max Density Mode)

Security: 128-bit DSAA (DECT Standard Authentication Algorithm) authentication, 64 bit DECT Standard Cipher

Included Accessories: 1 Earpiece with inline volume control and 1 Lanyard per Wearable Microphone

Environmental Requirements:

Temperature 40° to 105° F (5° to 40° C) operating

Humidity 20% to 85%

Index

- . Mini-Phoenix Connectors, 8
- . On/Off Switch, 8
- Adjusting the Volume, 26
- Base Station, 7
 - Back Panel, 7
 - Front Panel, 7
- Channel LED indicators, 8
- Charger Bays, 33
- Charging the Batteries, 33
 - First-time use, 33
 - Recharging, 33
- Connections, 9
- DB25 Control Port, 18
 - Pin-out Status, 18
- Diversity Antennae, 8
- Earpiece, 9
- Full-Duplex, 9
- Indicator LEDs, 36
- Input Connectors, 9
- LED indicator, 33
- MC/TDMA/TDD, 6
- Microphone
 - Charging port, 25
 - Earpiece Jack, 25
 - LED Display, 25
 - Mute Button, 25
 - Pocket Clip, 25
- Microphones, 25
- Pairing*, 24, 31
- Power Cord Receptacle, 33
- Power In Receptacle, 8
- Power Module, 33
- Safety Information, 4
- Specifications, 39
- System Components, 6
 - Base Station, 6
 - Diversity Antennas, 6
 - Earpieces, 6
 - Microphone Charger Base, 6
 - Microphone Lanyards, 6
- Time Division Duplex, 6
- Time Division Multiple Access, 6
- Using Multiple Systems, 9
- Warranty, 38
- Wireless Boundary Microphone, 27, 28
- XLR Microphone Wireless Adapter, 29, 30

Note: *Microphones must be fully charged and paired to the Base Station prior to first use.*