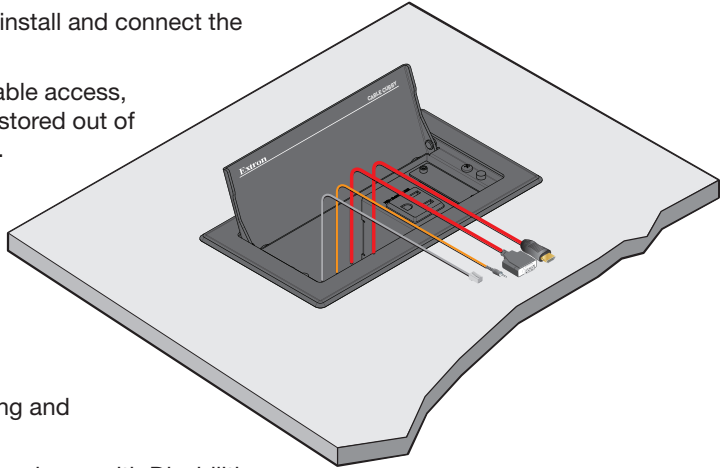


IMPORTANT:
Go to www.extron.com for the complete user guide, installation instructions, and specifications.

Cable Cubby 202 • Installation Guide

This guide provides instructions for an experienced installer to install and connect the Extron Cable Cubby 202 Cable Access Enclosures.

The Cable Cubby units are furniture-mounted enclosures for cable access, connections, and AC power. Cables that are not in use can be stored out of the way while remaining connected to the presentation system.



Planning

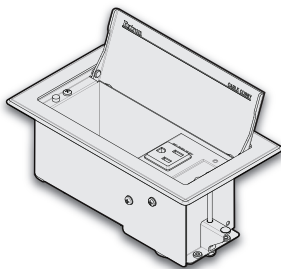
Check with local and state regulations before starting the installation:

- Ensure that the planned installation complies with building and electrical codes.
- Ensure that the planned installation complies with the Americans with Disabilities Act or other accessibility requirements.

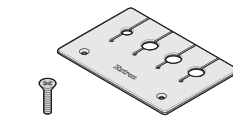
Check all parts and equipment before installation:

- Ensure that all parts are present in each kit.
- Ensure that necessary tools and equipment are available for the installation.

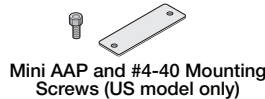
Kit Contents



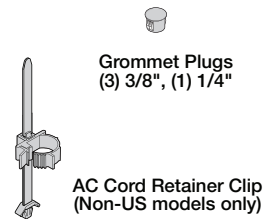
Cable Cubby 202



Cable Grommet Plate and #4-40 Plate Screws



Mini AAP and #4-40 Mounting Screws (US model only)



Grommet Plugs
(3 3/8", (1) 1/4"

AC Cord Retainer Clip
(Non-US models only)

Preparing the Table

Cut a hole in the surface where the enclosure will be installed. **Read the following information before making a cut.**

Determine the best location for the enclosure

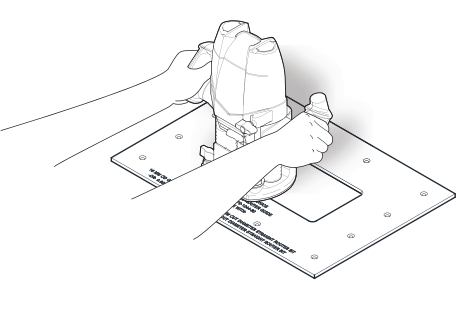
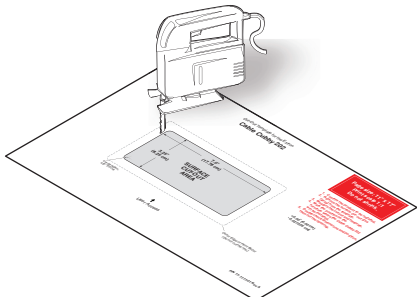
- Ensure that the location where the Cable Cubby is to be installed is convenient for as many users as possible.
- Ensure that the edge on which the lid opens is oriented correctly.
- Ensure that there is ample space under the table for cables.

Choose a method for cutting the hole in the table

See the next page for details on cutting the hole in the table.

Cable Cubby 202 • Installation Guide (Continued)

Choose one of the following methods for cutting the hole:

Hand Router and Routing Template	Jigsaw and Paper Cut-Out Template	CNC Wood Router	
		If using a CNC wood router or other precise machinery, use the exact cut-out dimensions (see the table below).	
Visit www.extron.com for Cable Cubby routing template part numbers and instructions.	Dimensions and cut-out templates are available online at www.extron.com .	Cut-out Dimensions	
		User Access Width	Side Dimension
		7.0" (17.8 cm)	3.25" (8.3 cm)

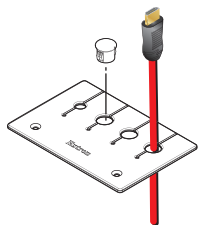
The opening in the table for the Cable Cubby should be cut only by licensed and bonded craftspeople.

CAUTION: Wear safety glasses when operating power equipment. Failure to comply can result in eye injury.

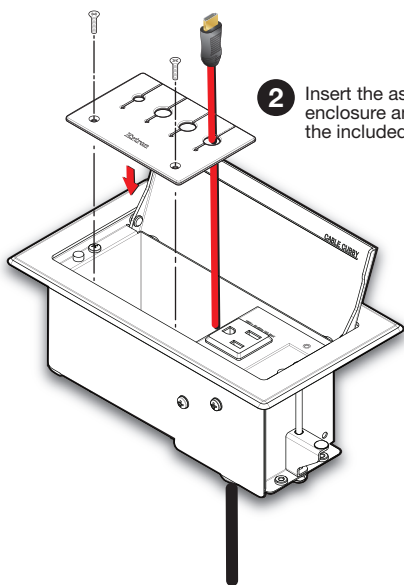
ATTENTION: Portez des lunettes de sécurité lorsque vous utilisez l'équipement électrique. Ne pas respecter cela peut conduire à une blessure à l'oeil.

Preparing the Cable Cubby

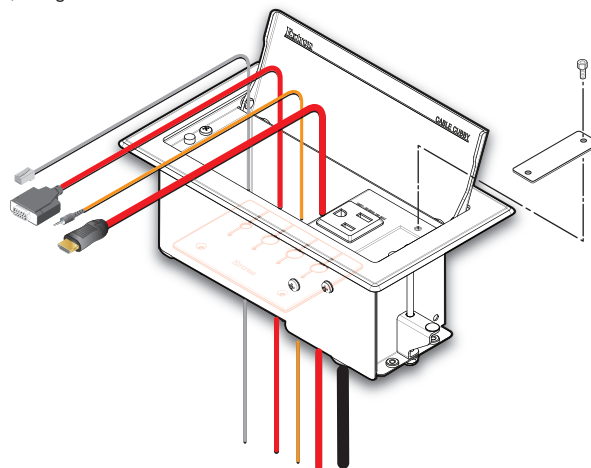
Assemble the cable pass-through plate and (for US models) install a Mini AAP.



- 1 Assemble the cable pass-through plate with your choice of AV cables.
Snap the included hole plugs into any unused holes.



- 2 Insert the assembled plate into the enclosure and secure the plate, using the included plate screws.

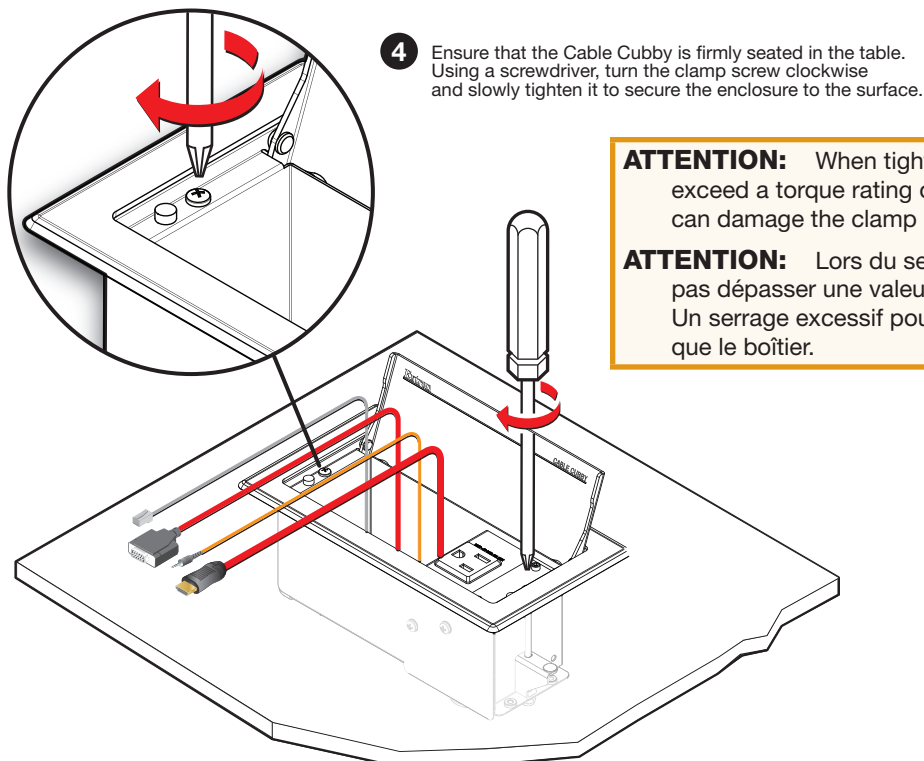
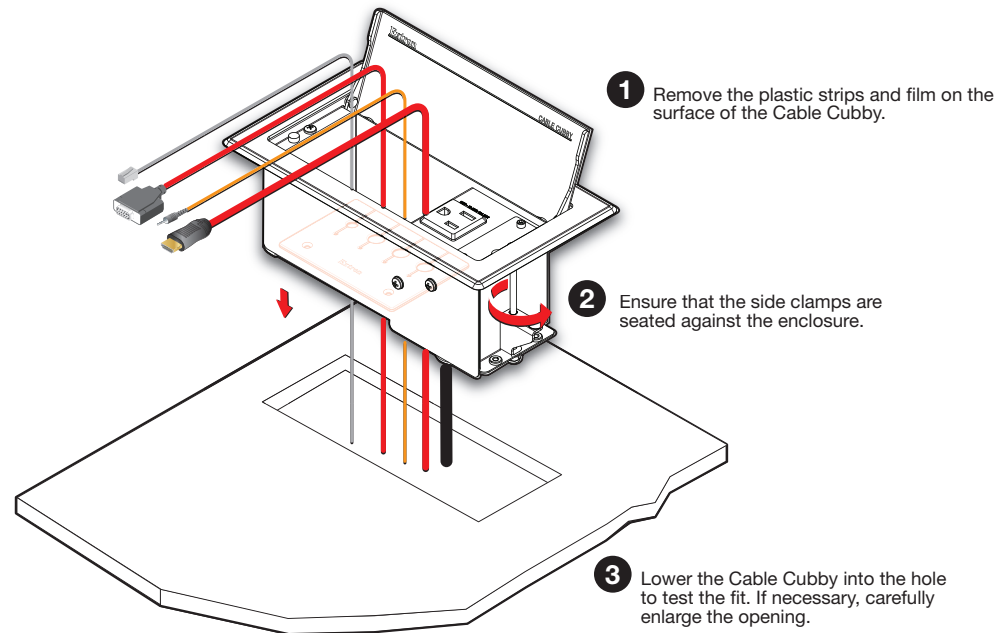


- 3 **US models only:** Install a Mini AAP into the opening by the AC connection. Connect AV cables to the Mini AAP if necessary, and secure the plate using the provided mounting screws.

Mounting and Installing the Cable Cubby in the Table

CAUTION: The flanged edges of the top of the surface enclosure are sharp. These edges are also soft and may be easily nicked or bent. Exercise caution when handling the enclosure to prevent personal injury or damage to the enclosure.

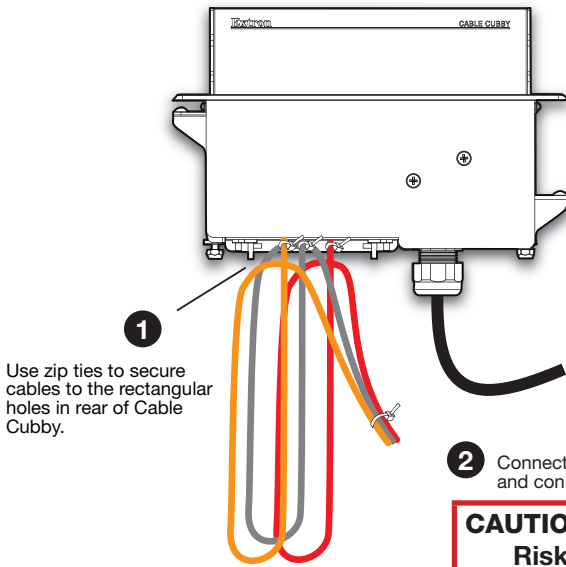
ATTENTION: Les extrémités à brides du haut de la surface du boîtier sont aiguisées. Ces extrémités sont aussi lisses et peuvent facilement être coupées ou pliées. Soyez prudents lorsque vous manipulez le boîtier afin d'éviter de l'endommager ou de vous blesser.



ATTENTION: When tightening the clamp screws, do not exceed a torque rating of 5 inch-pounds. Overtightening can damage the clamp mechanism and enclosure.

ATTENTION: Lors du serrage des pinces à vis, veillez à ne pas dépasser une valeur de couple de 5 livres par pouce. Un serrage excessif pourrait endommager le dispositif ainsi que le boîtier.

Routing and Connecting Cables



1
Use zip ties to secure cables to the rectangular holes in rear of Cable Cubby.

2 Connect cables to the AV system and connect the AC power cord.

NOTE:

- For cable pass-through applications, allow at least 36 inches (0.9 m) of cable loop for each cable.
- Ensure that there is no tension on the power cable.

CAUTION:

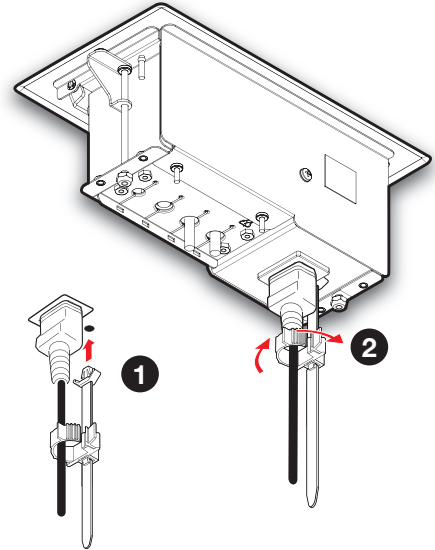
Risk of Electric Shock.
This equipment must be grounded.

ATTENTION:

Risque de choc électrique.
Cet équipement doit être fixé au sol.

Cable Retainer for Non-US Models

For non-US models, secure the power cable with the included cable retainer as shown below.



Installation Checklist

Planning (page 1)

- Check with local and state regulations before starting the installation.
- Check all parts and equipment before installation.

Preparing the Table (pages 1 and 2)

- Determine the best location for the enclosure.
- Choose a method for cutting the hole in the table.

Preparing the Cable Cubby (page 2)

- Assemble the cable pass-through plate and (for US models) install a Mini AAP.

Mounting and Installing the Cable Cubby in the Table (page 3)

Routing and Connecting Cables (page 4)

68-2486-01
Rev. B
08 16

Extron Headquarters +800.633.9876 Inside USA/Canada Only	Extron Europe +800.3987.6673 Inside Europe Only	Extron Asia +65.6383.4400 +65.6383.4664 FAX	Extron Japan +81.3.3511.7655 +81.3.3511.7656 FAX	Extron China +86.21.3760.1568 +86.21.3760.1566 FAX	Extron Middle East +971.4.299.1800 +971.4.299.1880 FAX	Extron Australia +61.8.8351.2188 +61.8.8351.2511 FAX	Extron India 1800.3070.3777 (Inside India Only)
Extron USA - West +1.714.491.1500 +1.714.491.1517 FAX	Extron USA - East +1.919.850.1000 +1.919.850.1001 FAX	+31.33.453.4040 +31.33.453.4050 FAX					+91.80.3055.3777 +91.80.3055.3737 FAX