

Specifications

Cable Cubby 1252 MS

General

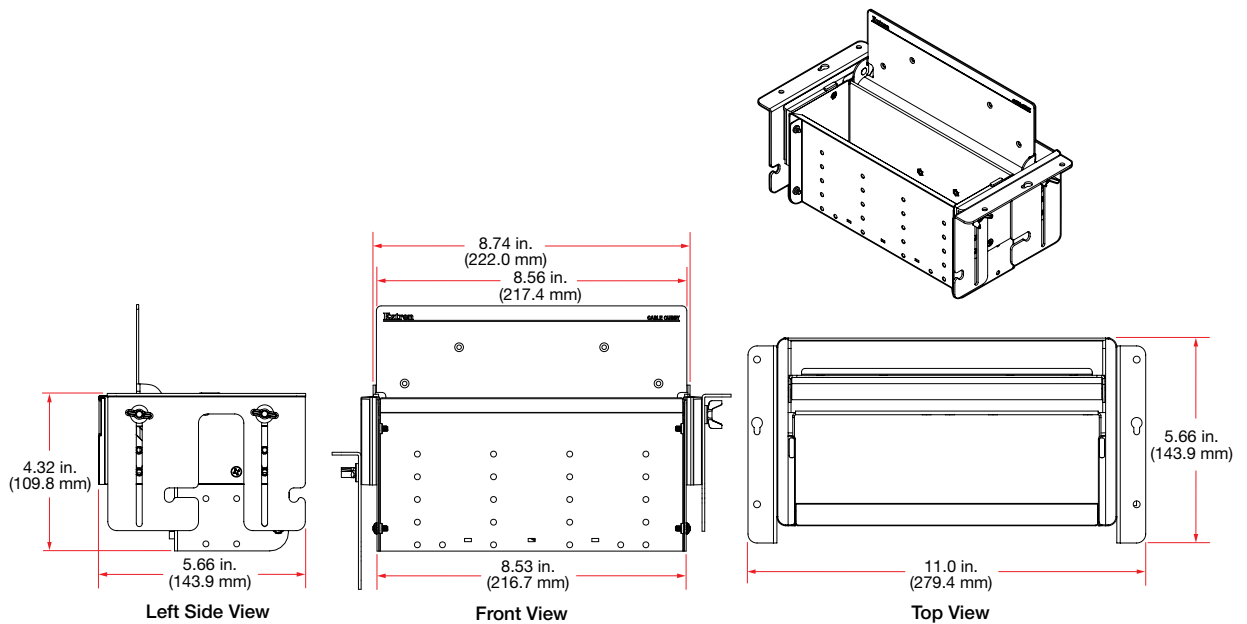
Mounting

Furniture mount Yes, underneath the furniture surface

Min./max. table thickness 0.25" to 2.4" (6.4 mm to 61 mm)

Enclosure type Metal

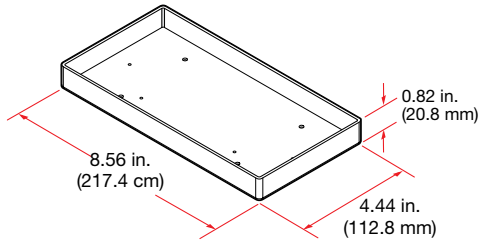
Enclosure dimensions



Top plate (outer rim).....	11.0" L x 5.66" W (279.4 mm L x 143.9 mm W)
Enclosure depth (excluding mounting brackets and lid)	4.32" H (109.8 mm H)
Surface cutout (lid equal to or thicker than table).....	8.81" L x 5.25" W with 0.25" radius corners (223.8 mm L x 133.4 mm W with 6.4 mm radius corners)
Surface cutout (lid thinner than table)	9.5" L x 5.25" W with 0.25" radius corners (241.3 mm L x 133.4 mm W with 6.4 mm radius corners)
Lid (attached directly to enclosure)	8.56" L x 4.44" W with 0.2" radius corners (217.4 mm L x 112.8 mm W with 5 mm radius corners)

Specifications • Cable Cubby 1252 MS (Continued)

Min./max. lid thickness	0.20" to 0.82" (5.1 mm to 20.8 mm)
Lid tray.....	Aluminum
Lid tray dimensions	



Lid Tray

Lid tray	8.56" L x 4.44" W x 0.82" (217.4 mm L x 112.8 mm W x 20.8)
Lid insert (installed in the lid tray kit)	8.375" L x 4.25" W with 0.12" radius corners (212.7 mm L x 107.9 mm W with 3 mm radius corners)
Max thickness	Up to 0.70" (17.7 mm)
Product weight	
Enclosure	4.6 lb (2.1 kg)
Lid tray	0.6 lb (0.3 kg)
Regulatory compliance.....	CE, WEEE, Complies with the appropriate requirements of RoHS
US configuration*	c-UL, UL
Product warranty	3 years parts and labor

NOTE: Specifications are subject to change without notice.

NOTE: * The UL listing for this product is only valid when the Cable Cubby contains the US AC power module.

NOTE: Shipping weights and dimensions are available at www.extron.com.

4853-D2