

# Cable Cubby 1402

SERIES/2 CABLE ACCESS ENCLOSURE FOR  
AV CONNECTIVITY AND AC POWER



The Cable Cubby® 1402 is a double-sided, furniture-mountable cable access enclosure for AV connectivity and AC power. The redesigned enclosure is 2" shorter than the previous model, providing increased under table clearance. Ideal for applications that require a central enclosure, each side accommodates one Series/2 AC or AC+USB series power module and includes mounting brackets for cable retraction modules, AV cables, or AAP - Architectural Adapter Plates. The Cable Cubby 1402 features an integrated clamp system that secures the enclosure without additional parts or tools.

- ▶ Accommodates one Series/2 AC or AC+USB power module, plus three Retractors, eight AV cables, or three AAP – Architectural Adapter Plates, per side
- ▶ Slim, double-sided enclosure is 2" (51 mm) shorter than previous model, making it ideal for conference tables, desks, lecterns, and other work areas where space is at a premium
- ▶ Patented modular design for fast assembly and serviceability
- ▶ Retractor Bracket, Cable Pass-Through Bracket, and AAP Bracket included; Retractor modules, cables, and AAP plates sold separately
- ▶ AC power and AC+USB power modules are available for US, Europe, and other major world markets

## DESCRIPTION

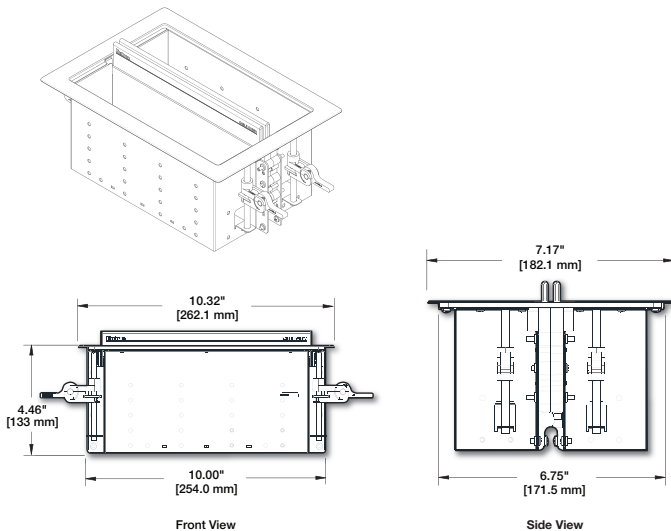
The **Cable Cubby® 1402** comes equipped with a number of Extron-exclusive, integration friendly features for fast assembly and installation. The integrated clamp system quickly secures the enclosure to the furniture surface without tools. A lid damper ensures smooth, quiet operation. The enclosure's shortened height beneath the table is ideal for semi-permanent folding tables in modular spaces. The Cable Cubby 1402 includes standard connectivity brackets for mounting up to three Retractor modules, three AAPs, or up to eight AV cables, per side.

A patented modular design allows cables and AAPs to be serviced from the top after installation. AC power modules are available for the US, Europe, and other major world markets. To support the growing use of smartphones, tablets, and small laptops in AV presentation environments, optional AC+USB series power modules provide one or two AC power outlets and two USB Type-A power ports. US AC power modules are UL/c UL listed. Optional accessories include a routing template to simplify installation and a CableCover for improved cable management and aesthetics.

## FEATURES

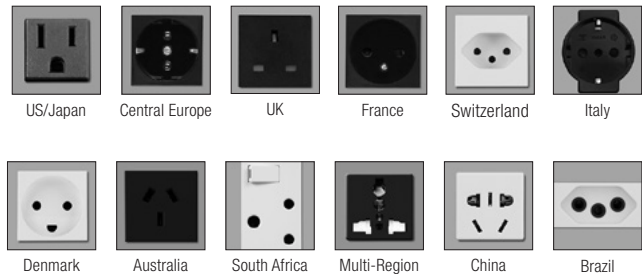
- ▶ Retractor Brackets hold three Retractor Series/2 or Retractor Series/2 XL cable retraction modules
- ▶ Connectivity Bracket supports up to three single-space AAPs
- ▶ Cable Pass-Through Bracket supports up to eight AV cables
- ▶ Top surface is available in a black anodized or brushed aluminum finish

## DIMENSIONAL DRAWINGS



## SPECIFICATIONS

GENERAL				
<b>Power supply (optional)</b>	US AC module 125 VAC, 50-60 Hz, 12 A max. total			
<b>Mounting</b>	Furniture mount			
<b>Min./max. table thickness</b>	0.50" to 2.50" (13 mm to 63 mm)			
<b>Enclosure type</b>	Metal			
<b>Enclosure dimensions</b>	Top plate (outer rim) 10.57" W x 7.42" D (269 mm W x 189 mm D) Surface cutout (inside rim) 10.00" W x 6.75" D (254 mm W x 172 mm D) Enclosure depth 4.46" H (113 mm H)			
<b>Regulatory compliance</b>	CE, RoHS, WEEE			
<b>US configuration*</b>	UL, c-UL			
<b>NOTE:</b> *The UL listing is only valid when the Cable Cubby contains the US AC power module.				
<b>Product warranty</b>	3 years parts and labor			
<b>Model</b>	<b>Version Description</b>	<b>Part number</b>		
Cable Cubby 1402	Black-with US AC Power Modules	60-1708-02		
Cable Cubby 1402	Black-AC Module Not Included	70-1185-02		
Cable Cubby 1402	Brushed Aluminum-AC Module Not Included	70-1185-08		
<b>Optional Accessories</b>				
CableCover - Large	For Cable Cubby 1402	70-1080-02		
CCM 155	Flex55 and EU Mount for Cable Cubby 1402	70-1164-01		
Routing Template	For Cable Cubby 1402	70-1042-80		
<b>Power Modules</b>				
	<b>AC 100 Series</b>	<b>AC+USB 200 Series</b>		
<b>Outlet</b>	<b>Version Description</b>	<b>Part#</b>	<b>Version Description</b>	<b>Part#</b>
US, Cord	(2) Outlets	60-1385-01	(2) AC & (2) USB Outlets	60-1697-01
US, Conduit	(2) Outlets	60-1385-20	(2) AC & (2) USB Outlets	60-1697-20
UK	(2) Outlets	60-1385-02	(1) AC & (2) USB Outlets	60-1384-02
Europe	(2) Outlets	60-1385-03	(1) AC & (2) USB Outlets	60-1384-03
Australia	(2) Outlets	60-1385-04	(1) AC & (2) USB Outlets	60-1384-04
Switzerland	(2) Outlets	60-1385-05	(1) AC & (2) USB Outlets	60-1384-05
France	(2) Outlets	60-1385-06	(1) AC & (2) USB Outlets	60-1384-06
Italy	(2) Outlets	60-1385-07	(1) AC & (2) USB Outlets	60-1384-07
South Africa	(1) Outlet	60-1385-08		
Denmark	(2) Outlets	60-1385-09	(1) AC & (2) USB Outlets	60-1384-09
Multi-Region	(2) Outlets	60-1385-10	(1) AC & (2) USB Outlets	60-1384-10
China	(2) Outlets	60-1385-11	(1) AC & (2) USB Outlets	60-1384-11
Japan	(2) Outlets	60-1385-12		
Brazil	(2) Outlets	60-1385-13		



For complete specifications, please go to [www.extron.com](http://www.extron.com)  
Specifications are subject to change without notice.

### WORLDWIDE SALES OFFICES

Anaheim • Raleigh • Silicon Valley • Dallas • New York • Washington, DC • Toronto • Mexico City • Paris • London  
Frankfurt • Madrid • Stockholm • Amersfoort • Moscow • Dubai • Johannesburg • Tel Aviv • Sydney • Melbourne  
Bangalore • Mumbai • New Delhi • Singapore • Seoul • Shanghai • Beijing • Hong Kong • Tokyo

[www.extron.com](http://www.extron.com)