

LS6CT CEILING SPEAKER INSTALLATION GUIDE



Instructions

Required Tools and Parts

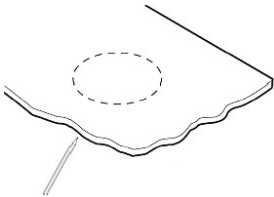
- Pencil
- Phillips screwdriver
- Fine-tooth saw (power or manual)



Caution!

- Install in accordance with all applicable local codes.
- Before you start, ensure that power to the amplifier is off.

1. Cut the ceiling tile.



- On the provided cutout template, punch out along the larger perforated circle.
- Place the cutout template against the bottom of the ceiling tile and with a pencil, trace the inside.
- With a fine-tooth saw, carefully cut out the ceiling material along the circle.
- (Optional) Install the Ceiling Tile Bridge.
- The tile bridge helps distribute the weight of the speaker across a larger area of the ceiling tile, preventing sagging or damage, especially with lightweight or fragile ceiling tiles.

2. Set the transformer as needed for your system.

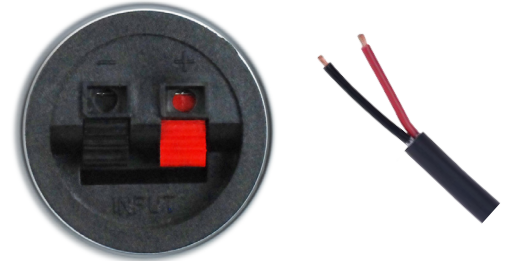
- For connection to a low-impedance power amplifier, turn the dial to the 8Ω symbol.
- For a 70 V constant-voltage amplifier, adjust the dial to the desired wattage on the inner white ring.
- For a 100 V constant-voltage amplifier, adjust the dial to the desired wattage on the outer black ring.



Caution! For 100 V systems, do **not** set the transformer to “—”.

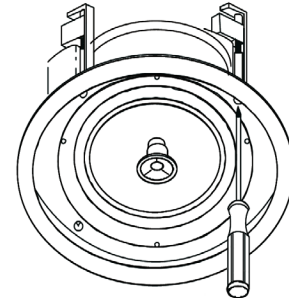
3. Attach Wires to the speaker.

- Strip about 1/2 inch (12.5 mm) of insulation from the wire ends.
- Press down on the spring clip and insert the exposed wire into the matching terminal (red for +, black for -).
- Release the spring clip, ensuring the wires are securely held and no stray strands are visible.



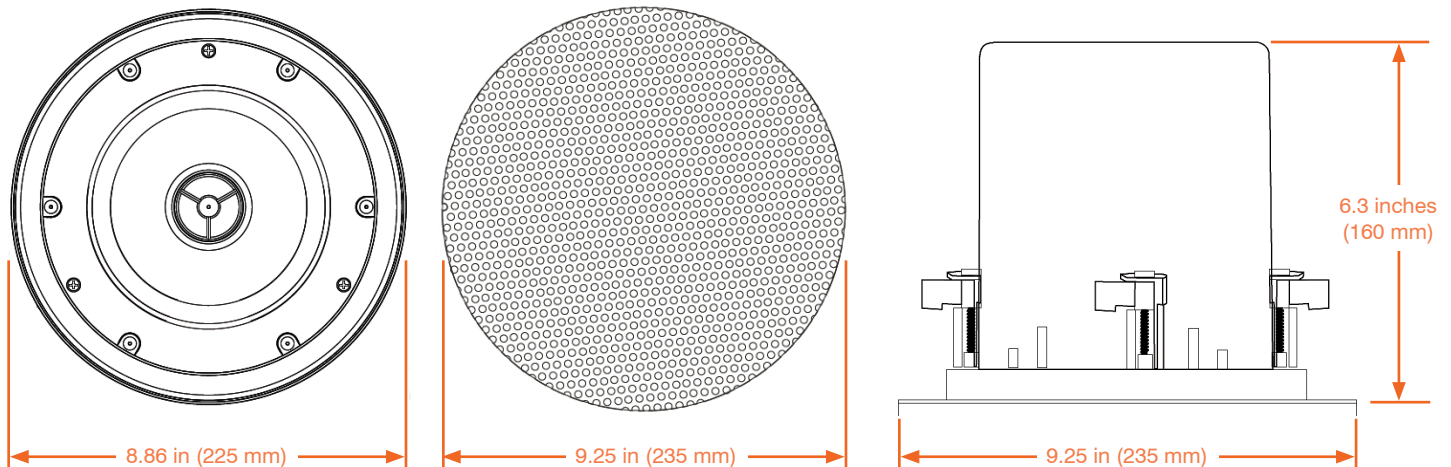
4. Mount the speaker in the ceiling.

- Place the speaker in the cutout area of the ceiling tile, or optionally, through the ceiling tile bridge.
- For each of the 4 screws, tighten the screw until the dog leg clamps the speaker to the ceiling tile.
- Align the speaker grille with the speaker and press until it snaps securely into place.



Caution: Do not over-tighten screws.

Dimensions



SALES AND INQUIRIES

Headquarters

5225 Wiley Post Way Suite 500
Salt Lake City, UT 84116

Headquarters

Main: +1.801.975.7200

Sales

Tel: +1.801.975.7200
sales@clearone.com

Tech Support

Tel: +1.801.974.3760
audiotechsupport@clearone.com