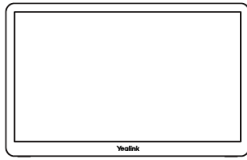
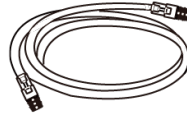


# MTouch Plus Installation

## Package Contents

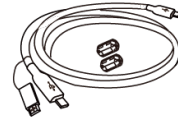


MTouch Plus



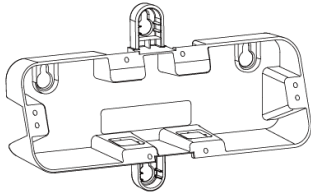
(7.5m, 24.6ft)

CAT5e UTP (RJ45 - RJ45) Cable



(1.2m, 3.94ft)

USB 3.1 (C - C, HDMI) Cable



(207.44 mm \* 126.99 mm)

Mounting Bracket



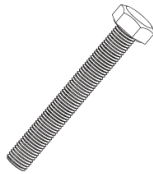
× 4

φ6 \* 30 mm, white, Polyamide



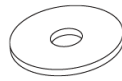
× 4

4\*30 FAHOZN3+ (+)



× 2

M8\*60mm,SUS304



(M8, φ30\*T2mm, SUS304)

Washer



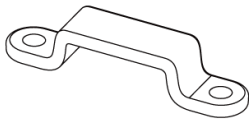
× 2



× 2

(M8,SUS304)

Wing Nuts



Lock cable buckle



× 4

2.5\*8.0PAHOZN3+(+)



× 4

2.5\*9.0FMHZN(+)



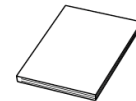
(L200\*W62.5\*T1.2mm)

Double-Coating Tape



(WH-85\*3.0mm)

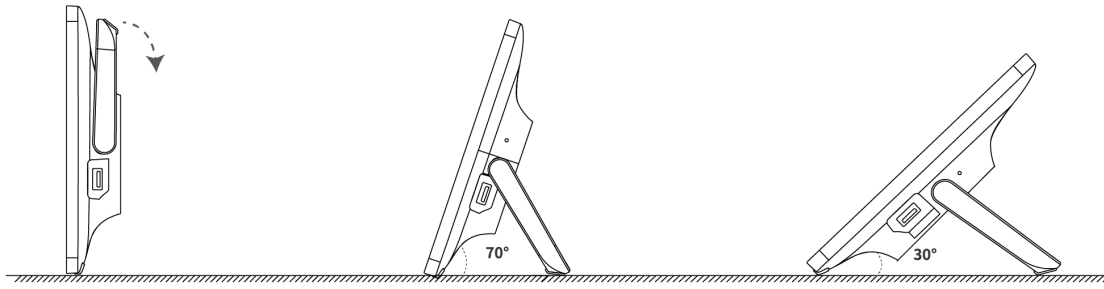
Screwdriver



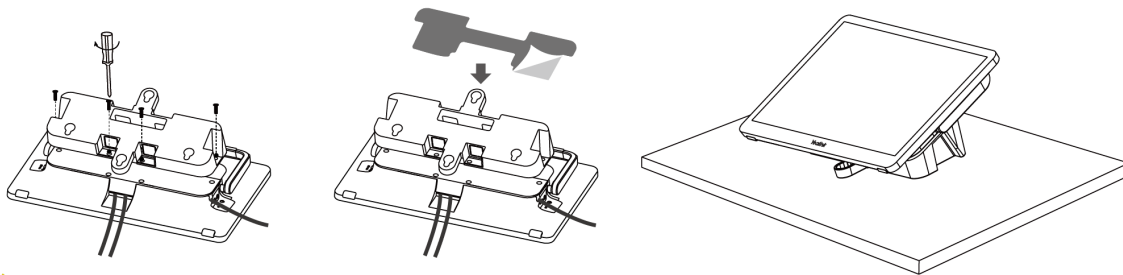
Quick Start Guide


## Installation

### Put on a table

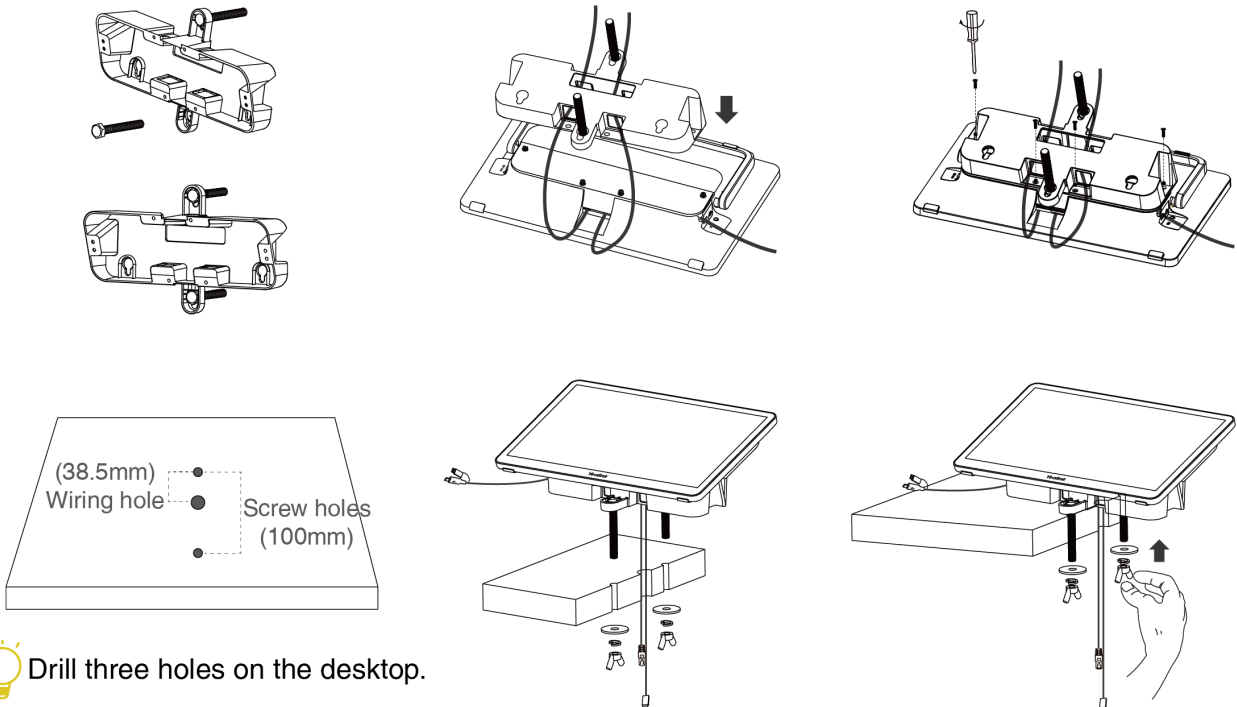



**Paste on a table**



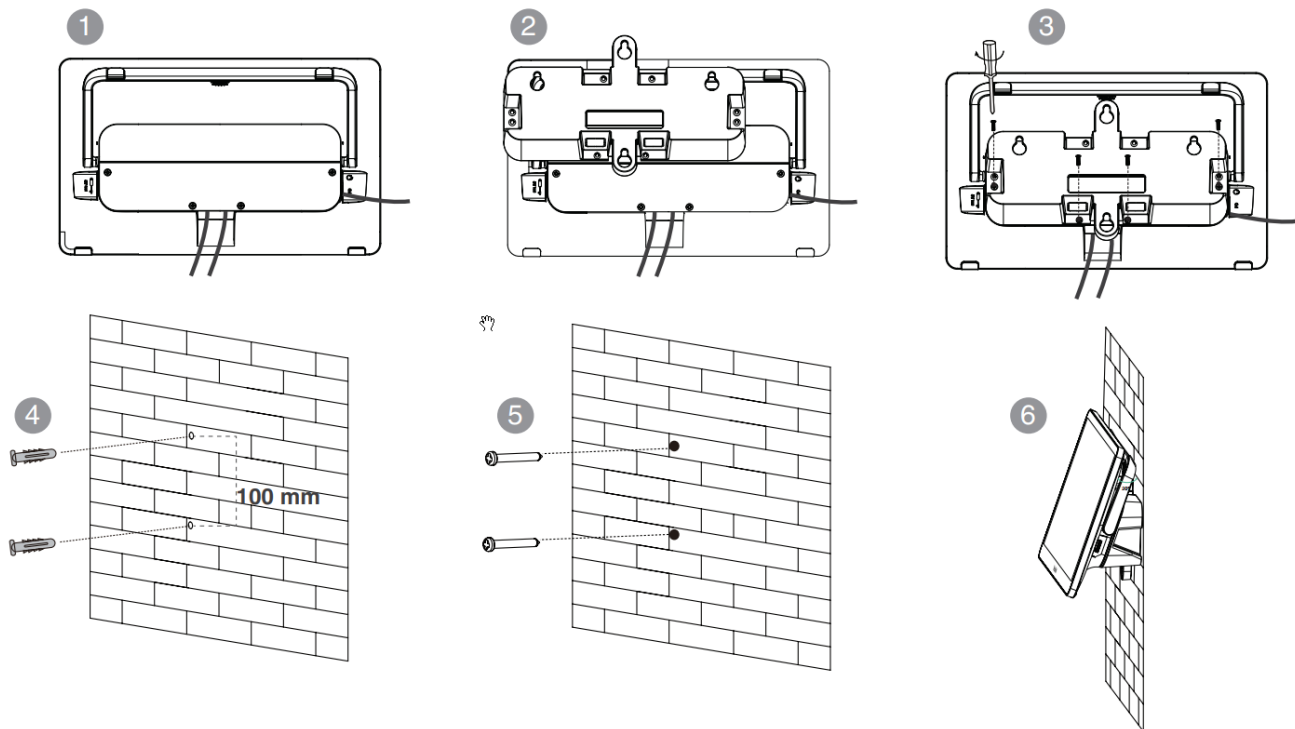
 Please select the outlet hole according to your need.

**Fix on a table**



 Drill three holes on the desktop.

**Wall installation**

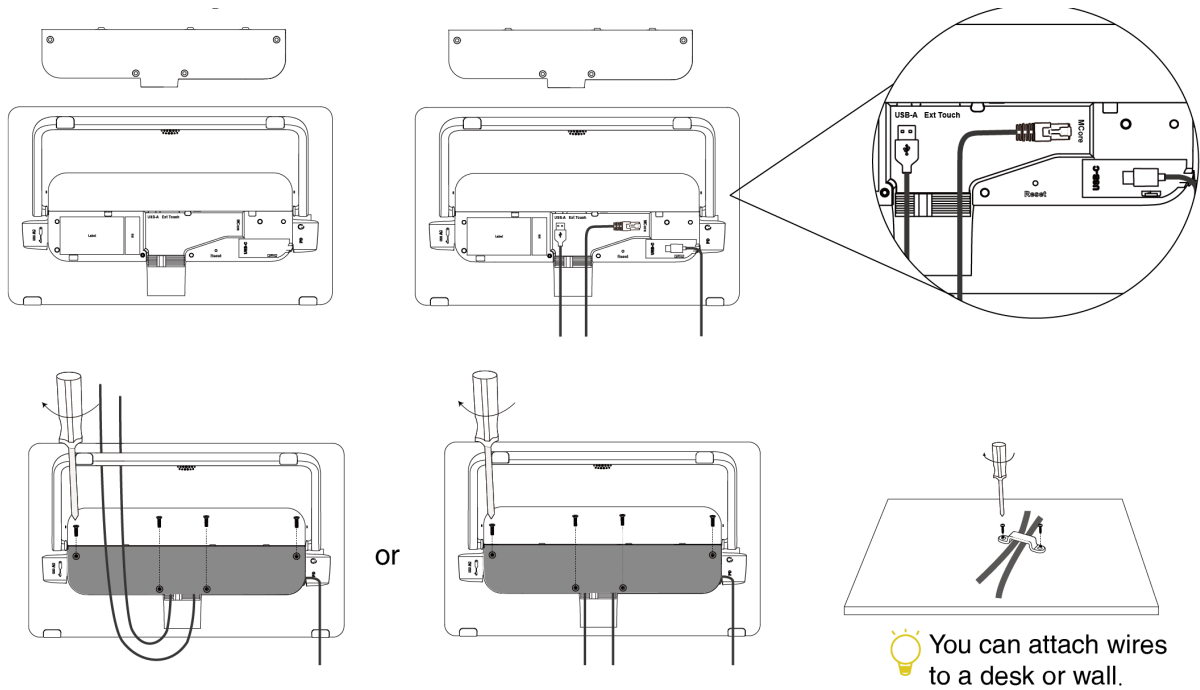


**NOTE**

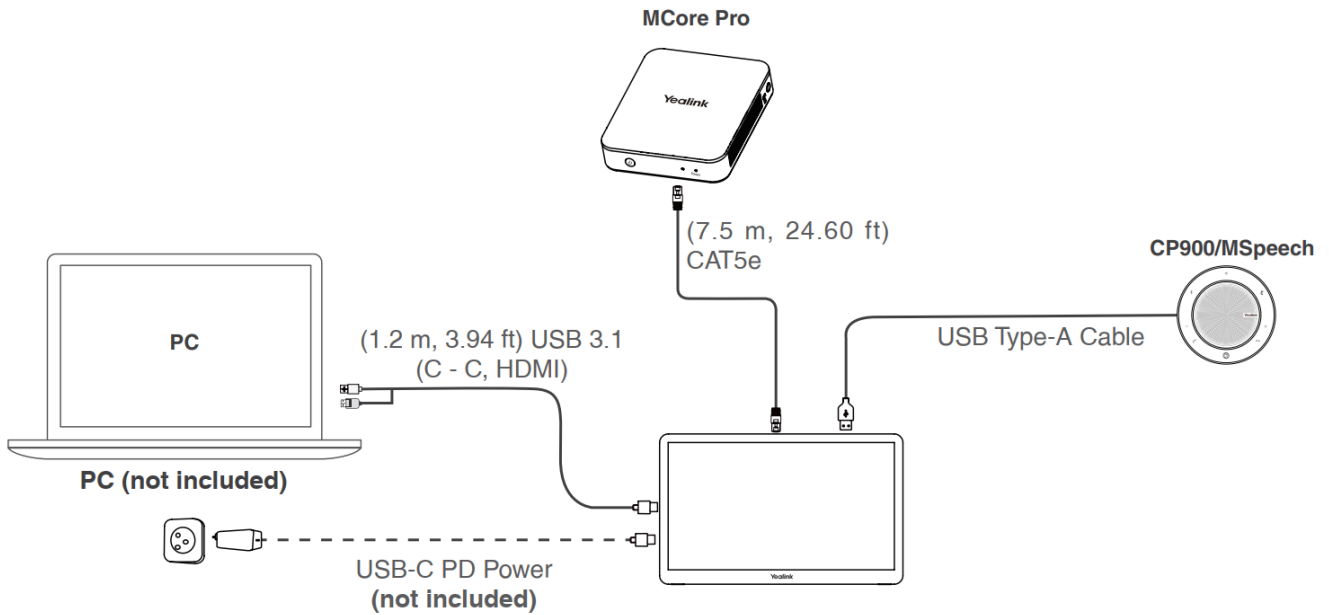
- We recommend that the height of the wall installation is 1m~1.5m from the ground.
- Please select the outlet hole according to your need. If the conference room environment allows, you can also wire through the wall.

**Connection**

**Assemble your MTouch Plus**



**Connect your MTouch Plus**



**NOTE**

- You can purchase additional PD power supply to power the PC.
- Not included accessories requirements:
  - » PC: Equipped with HDMI or USB-C (support DP protocol) Port.
  - » USB-C PD Power: A PD power adapter with a power transmission greater than 45W, equipped with a USB-C cable.